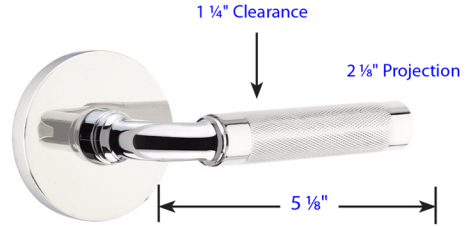
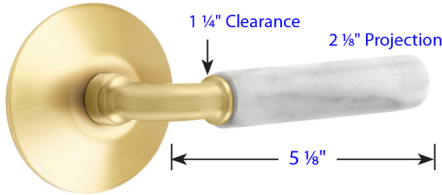


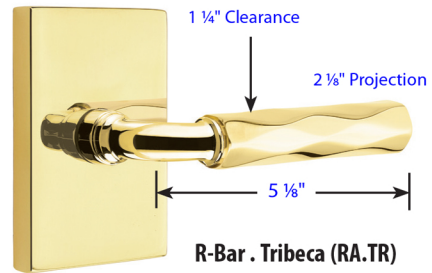
**R-Bar . Straight Knurled (RA.SK)**  
with Square Rosette



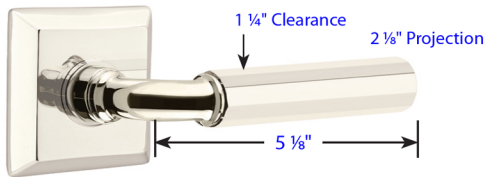
**R-Bar . Knurled (RA.KN)**  
with Disk Rosette



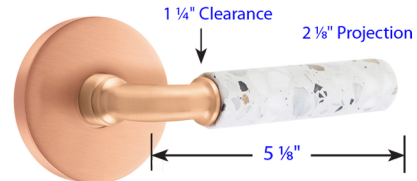
**R-Bar . White Marble (RA.MRWH)**  
with Modern Rosette



**R-Bar . Tribeca (RA.TR)**  
with Modern Rectangular Rosette



**R-Bar . Faceted (RA.FA)**  
with Quincy Rosette



**R-Bar . Terrazzo (RA.TZLT)**  
with Disk Rosette



**R-Bar . Hammered (RA.HA)**  
with Neos Rosette

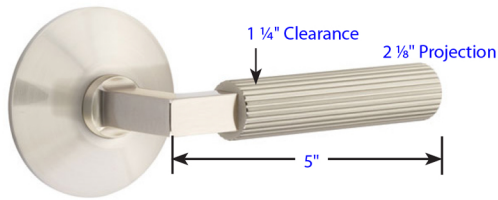
See page 7 for rosette specification.

Door Thickness Specifications

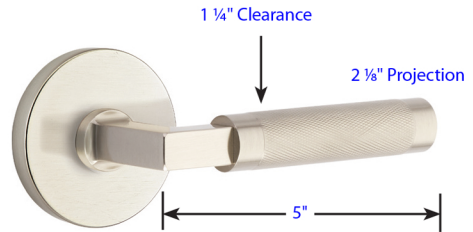
- Standard Door Thickness: 1 1/4" - 2"
- Standard Components:
- Privacy Pin (for privacy sets)
- Inside Passage Half Spindle
- 1 1/2" Rosette Screws
- Full-Lip Strike Plate

- **Extended** Door Thickness: 2" - 2 1/2"
- Extended Components:
- Privacy Pin w/ Extension (for privacy sets)
- Long Inside Passage Half Spindle
- 2" Rosette Screws
- Extended Full-Lip Strike Plate

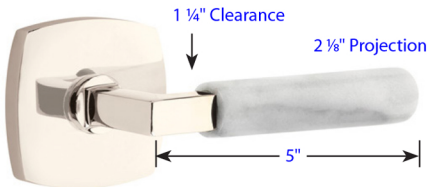
- **Extended** Door Thickness: 2 1/2" - 3"
- Extended Components:
- Privacy Pin w/ Extension (for privacy sets)
- Extra Long Inside Passage Half Spindle
- 2 1/2" Rosette Screws
- Extended Full-Lip Strike Plate



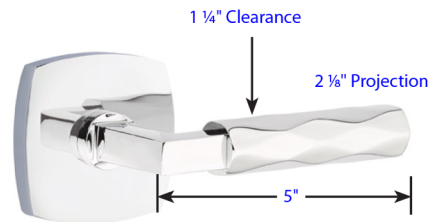
**L-Square . Straight Knurled (LS.SK)**  
*with Modern Rosette*



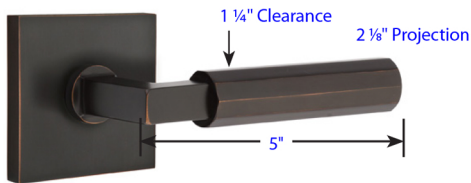
**L-Square . Knurled (LS.KN)**  
*with Disk Rosette*



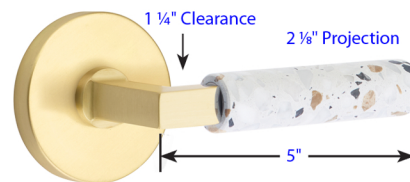
**L-Square . White Marble (LS.MRWH)**  
*with Urban Modern Rosette*



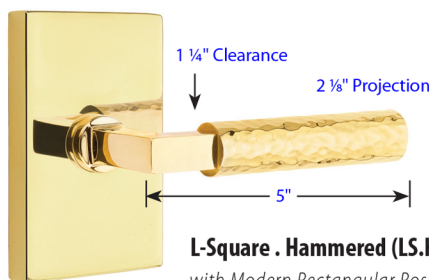
**L-Square . Tribeca (LS.TR)**  
*with Urban Modern Rosette*



**L-Square . Faceted (LS.FA)**  
*with Square Rosette*



**L-Square . Terrazzo (LS.TZLT)**  
*with Disk Rosette*



**L-Square . Hammered (LS.HA)**  
*with Modern Rectangular Rosette*

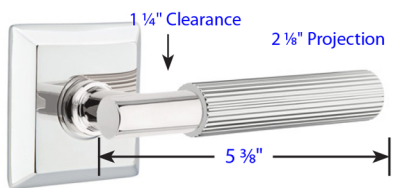
See page 7 for rosette specification.

Door Thickness Specifications

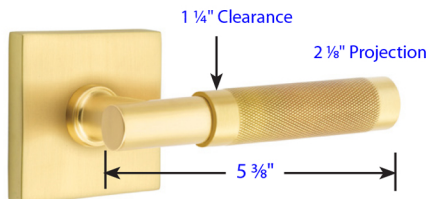
- Standard Door Thickness: 1 1/4" - 2"
- Standard Components:
  - Privacy Pin (for privacy sets)
  - Inside Passage Half Spindle
  - 1 1/2" Rosette Screws
  - Full-Lip Strike Plate

- **Extended** Door Thickness: 2" - 2 1/2"
- Extended Components:
  - Privacy Pin w/ Extension (for privacy sets)
  - Long Inside Passage Half Spindle
  - 2" Rosette Screws
  - Extended Full-Lip Strike Plate

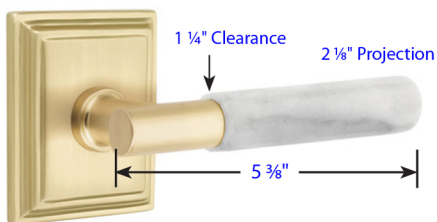
- **Extended** Door Thickness: 2 1/2" - 3"
- Extended Components:
  - Privacy Pin w/ Extension (for privacy sets)
  - Extra Long Inside Passage Half Spindle
  - 2 1/2" Rosette Screws
  - Extended Full-Lip Strike Plate



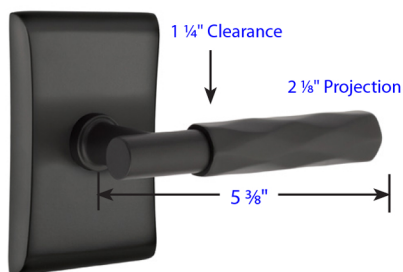
**T-Bar . Straight Knurled (TA.SK)**  
with Quincy Rosette



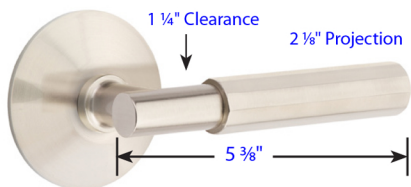
**T-Bar . Knurled (TA.KN)**  
with Square Rosette



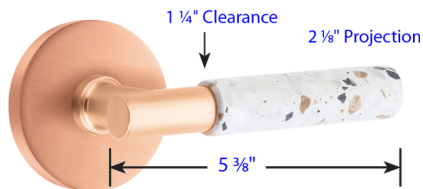
**T-Bar . White Marble (TA.MRWH)**  
with Wilshire Rosette



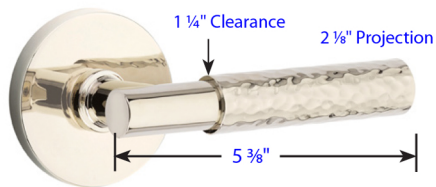
**T-Bar . Tribeca (TA.TR)**  
with Neos Rosette



**T-Bar . Faceted (TA.FA)**  
with Modern Rosette



**T-Bar . Terrazzo (TA.TZLT)**  
with Disk Rosette



**T-Bar . Hammered (TA.HA)**  
with Disk Rosette

See page 7 for rosette specification.

Door Thickness Specifications

- Standard Door Thickness: 1 1/4" - 2"
- Standard Components:
  - Privacy Pin (for privacy sets)
  - Inside Passage Half Spindle
  - 1 1/2" Rosette Screws
  - Full-Lip Strike Plate

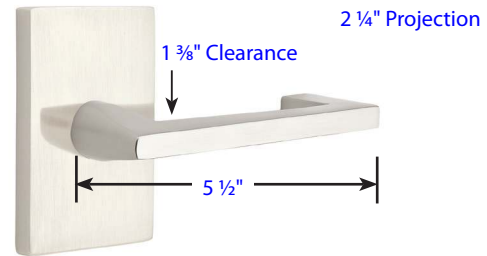
- **Extended** Door Thickness: 2" - 2 1/2"
- Extended Components:
  - Privacy Pin w/ Extension (for privacy sets)
  - Long Inside Passage Half Spindle
  - 2" Rosette Screws
  - Extended Full-Lip Strike Plate

- **Extended** Door Thickness: 2 1/2" - 3"
- Extended Components:
  - Privacy Pin w/ Extension (for privacy sets)
  - Extra Long Inside Passage Half Spindle
  - 2 1/2" Rosette Screws
  - Extended Full-Lip Strike Plate



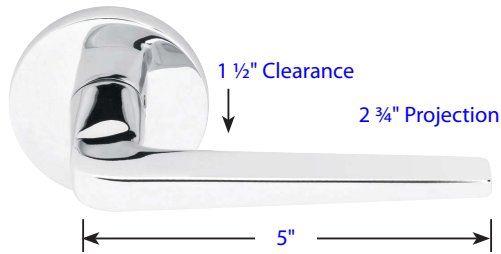
**Aireon (A)**

with Modern Rosette  
**DISCONTINUED**



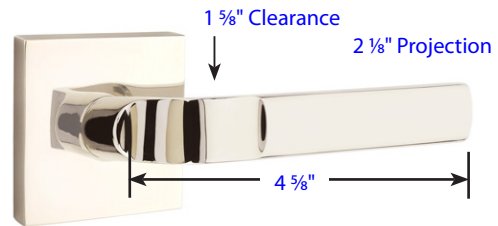
**Argos (AG)**

with Modern Rectangular Rosette



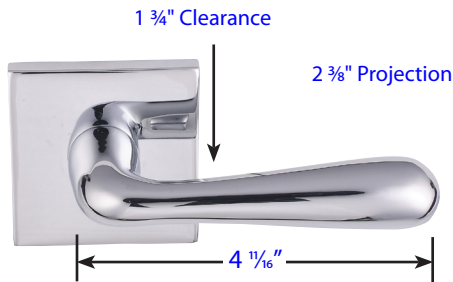
**Athena (ATN)**

with Disk Rosette



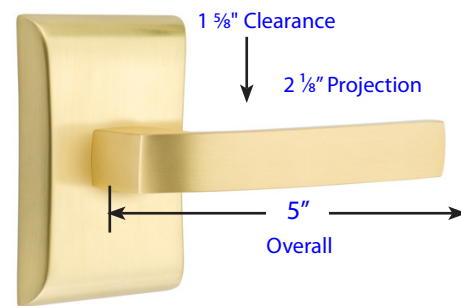
**Aston (AST)**

with Square Rosette



**Basel (BA)**

with Square Rosette



**Breslin (BRL)**

with Neos Rosette

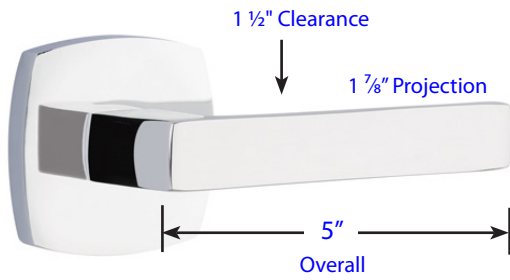
See page 7 for rosette specification.

Door Thickness Specifications

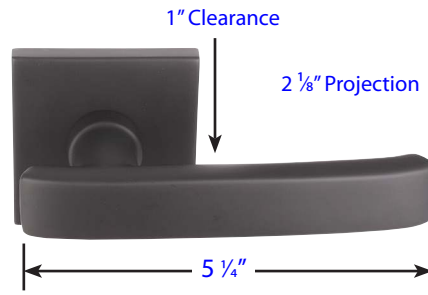
- Standard Door Thickness: 1 1/4" - 2"
- Standard Components:
- Privacy Pin (for privacy sets)
- Inside Passage Half Spindle
- 1 1/2" Rosette Screws
- Full-Lip Strike Plate

- **Extended** Door Thickness: 2" - 2 1/2"
- Extended Components:
- Privacy Pin w/ Extension (for privacy sets)
- Long Inside Passage Half Spindle
- 2" Rosette Screws
- Extended Full-Lip Strike Plate

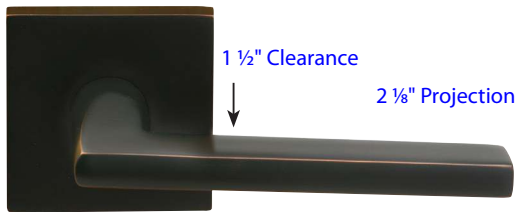
- **Extended** Door Thickness: 2 1/2" - 3"
- Extended Components:
- Privacy Pin w/ Extension (for privacy sets)
- Extra Long Inside Passage Half Spindle
- 2 1/2" Rosette Screws
- Extended Full-Lip Strike Plate



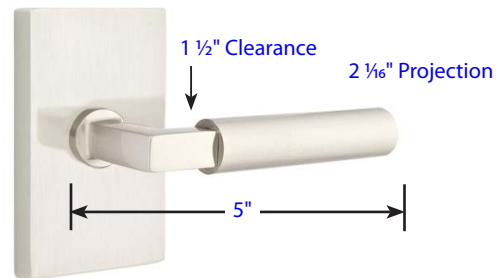
**Dumont (DT)**  
with Urban Modern Rosette



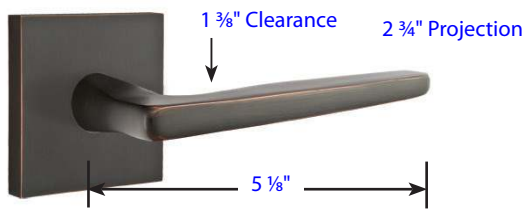
**Geneva (GV)**  
with Square Rosette



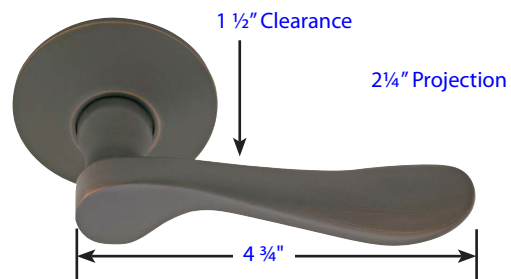
**Helios (HLO)**  
with Square Rosette



**Hercules (HEC)**  
with Modern Rectangular Rosette



**Hermes (HER)**  
with Square Rosette



**Luzern (LU)**  
with Modern Rosette

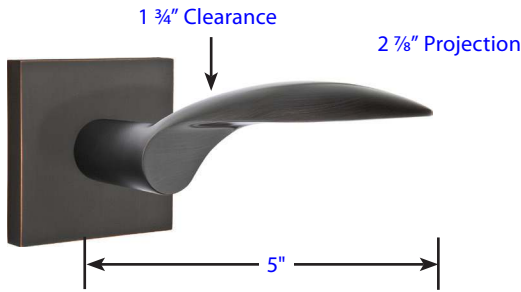
See page 7 for rosette specification.

### Door Thickness Specifications

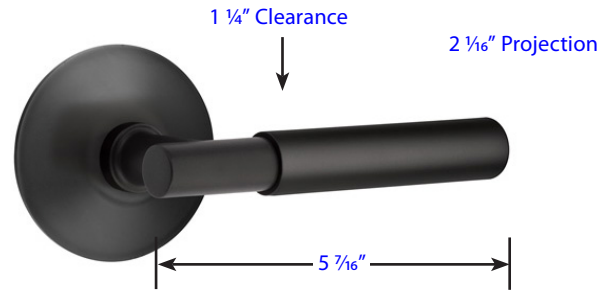
- Standard Door Thickness: 1 1/4" - 2"
- Standard Components:
- Privacy Pin (for privacy sets)
- Inside Passage Half Spindle
- 1 1/2" Rosette Screws
- Full-Lip Strike Plate

- **Extended** Door Thickness: 2" - 2 1/2"
- Extended Components:
- Privacy Pin w/ Extension (for privacy sets)
- Long Inside Passage Half Spindle
- 2" Rosette Screws
- Extended Full-Lip Strike Plate

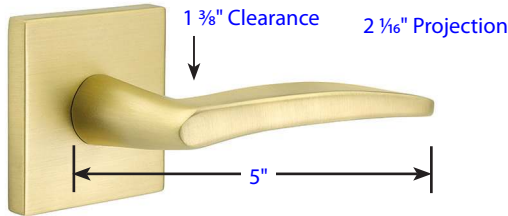
- **Extended** Door Thickness: 2 1/2" - 3"
- Extended Components:
- Privacy Pin w/ Extension (for privacy sets)
- Extra Long Inside Passage Half Spindle
- 2 1/2" Rosette Screws
- Extended Full-Lip Strike Plate



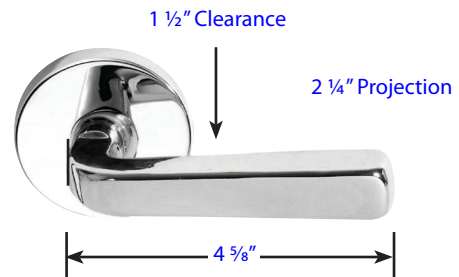
**Mercury (MC)**  
with Square Rosette



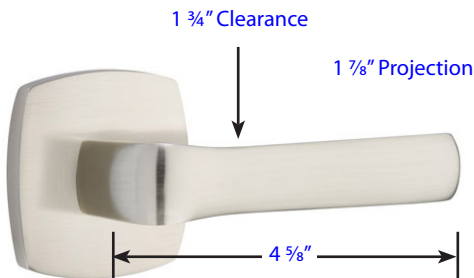
**Myles (MYL)**  
with Modern Rosette



**Poseidon (POS)**  
with Square Rosette



**Sion (SIO)**  
with Disk Rosette



**Spencer (SPN)**  
with Urban Modern Rosette



**Stuttgart (STU)**  
with Disk Rosette

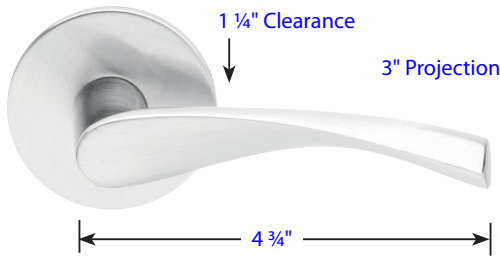
See page 7 for rosette specification.

Door Thickness Specifications

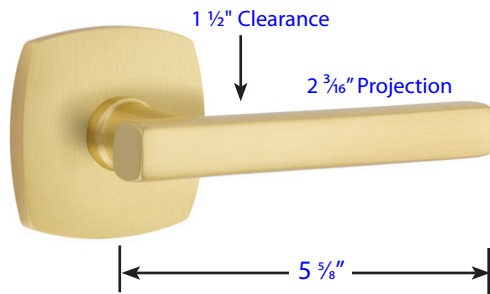
- Standard Door Thickness: 1 1/4" - 2"
- Standard Components:
- Privacy Pin (for privacy sets)
- Inside Passage Half Spindle
- 1 1/2" Rosette Screws
- Full-Lip Strike Plate

- **Extended** Door Thickness: 2" - 2 1/2"
- Extended Components:
- Privacy Pin w/ Extension (for privacy sets)
- Long Inside Passage Half Spindle
- 2" Rosette Screws
- Extended Full-Lip Strike Plate







- **Extended** Door Thickness: 2 1/2" - 3"
- Extended Components:
- Privacy Pin w/ Extension (for privacy sets)
- Extra Long Inside Passage Half Spindle
- 2 1/2" Rosette Screws
- Extended Full-Lip Strike Plate



**Triton (TRT)**  
 with Disk Rosette



**Urban Modern Freestone (FRL)**  
 with Urban Modern Rosette

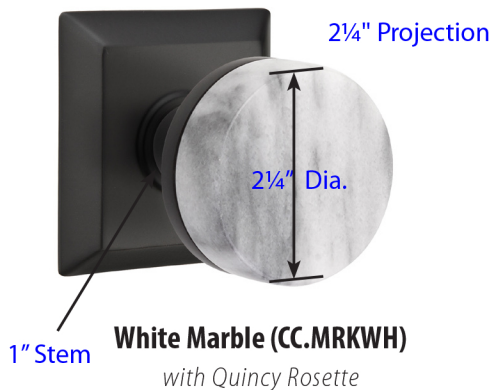
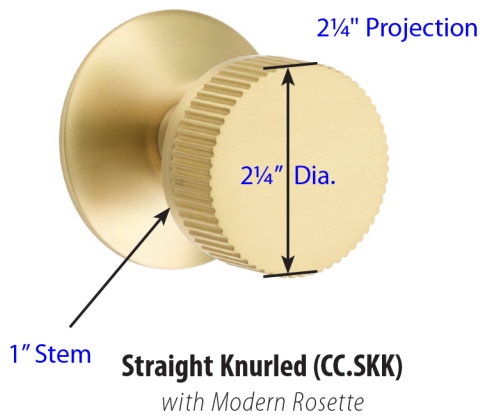
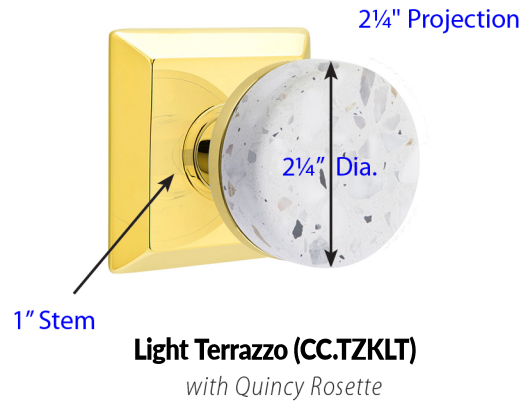
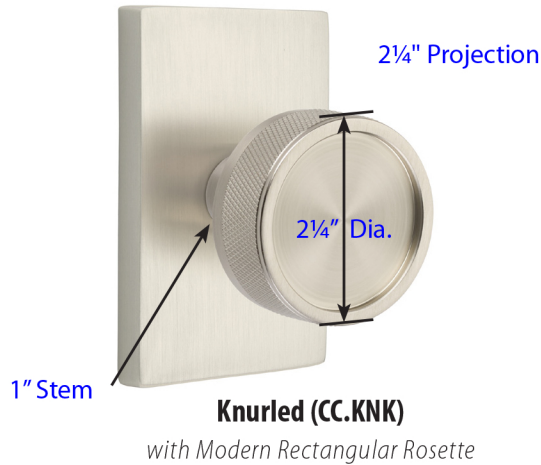
Rosettes	
$\frac{3}{8}$ " Thick	
Disk	
	2 1/2" Dia.
Modern Rectangular	
	2 1/2" x 4"
Square	
	2 1/2" x 2 1/2"
Urban Modern	
	2 1/2" x 2 1/2"
<hr/>	
$\frac{1}{2}$ " Thick	
Modern	
	2 3/4" Dia.
Neos	
	2 5/8" x 4"

Door Thickness Specifications

- Standard Door Thickness: 1 1/4" - 2"
- Standard Components:
- Privacy Pin (for privacy sets)
- Inside Passage Half Spindle
- 1 1/2" Rosette Screws
- Full-Lip Strike Plate

- **Extended** Door Thickness: 2" - 2 1/2"
- Extended Components:
- Privacy Pin w/ Extension (for privacy sets)
- Long Inside Passage Half Spindle
- 2" Rosette Screws
- Extended Full-Lip Strike Plate

- **Extended** Door Thickness: 2 1/2" - 3"
- Extended Components:
- Privacy Pin w/ Extension (for privacy sets)
- Extra Long Inside Passage Half Spindle
- 2 1/2" Rosette Screws
- Extended Full-Lip Strike Plate



See page 7 for rosette specification.

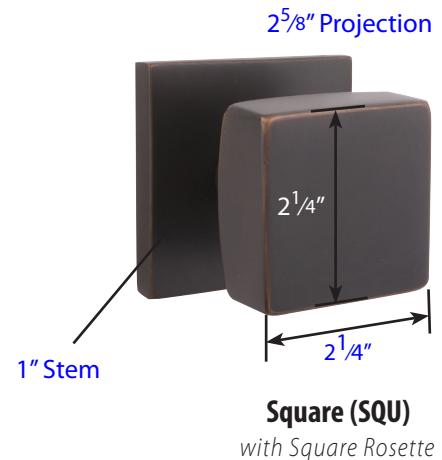
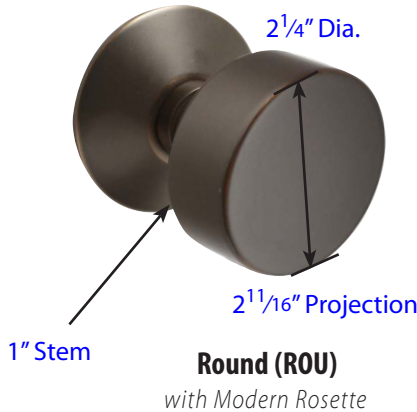
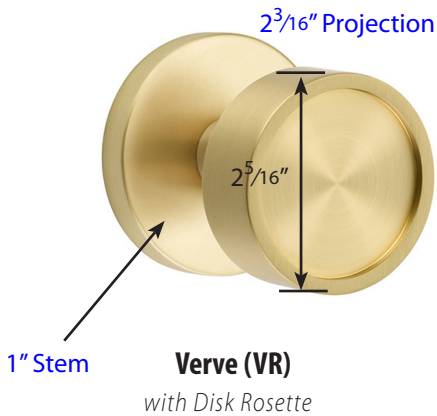
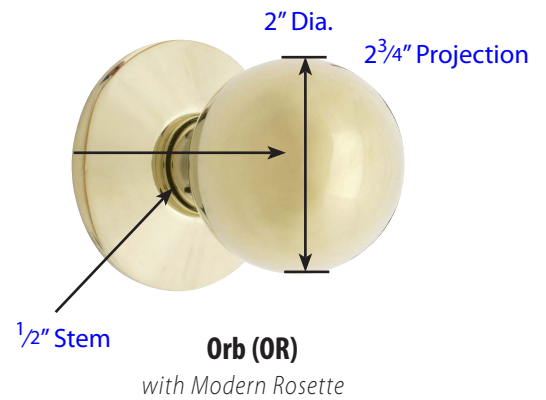
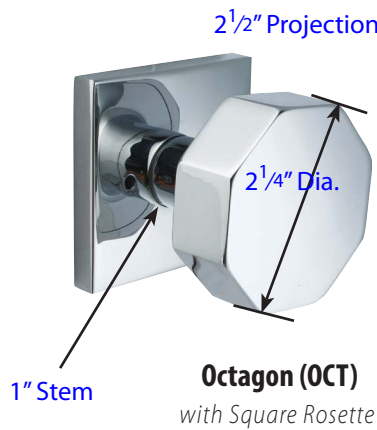
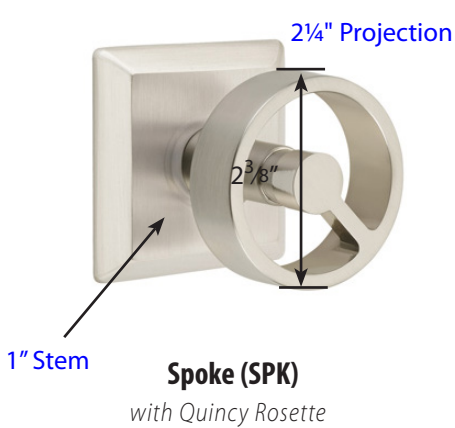
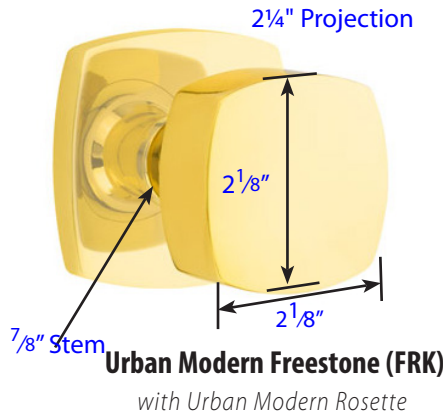
### Door Thickness Specifications

- Standard Door Thickness: 1 1/4" - 2"
- Standard Components:
  - Privacy Pin (for privacy sets)
  - Inside Passage Half Spindle
  - 1 1/2" Rosette Screws
  - Full-Lip Strike Plate

- **Extended** Door Thickness: 2" - 2 1/2"
- Extended Components:
  - Privacy Pin w/ Extension (for privacy sets)
  - Long Inside Passage Half Spindle
  - 2" Rosette Screws
  - Extended Full-Lip Strike Plate

- **Extended** Door Thickness: 2 1/2" - 3"
- Extended Components:
  - Privacy Pin w/ Extension (for privacy sets)
  - Extra Long Inside Passage Half Spindle
  - 2 1/2" Rosette Screws
  - Extended Full-Lip Strike Plate





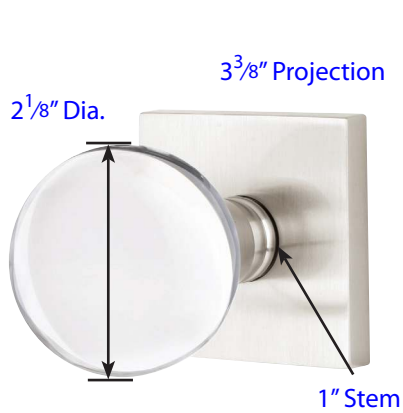
See page 7 for rosette specification.

### Door Thickness Specifications

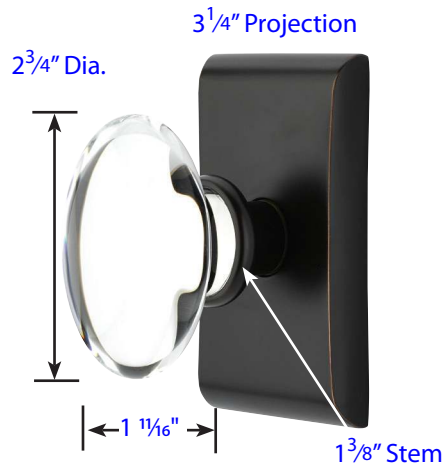
- Standard Door Thickness: 1 1/4" - 2"
- Standard Components:
  - Privacy Pin (for privacy sets)
  - Inside Passage Half Spindle
  - 1 1/2" Rosette Screws
  - Full-Lip Strike Plate

- **Extended** Door Thickness: 2" - 2 1/2"
- Extended Components:
  - Privacy Pin w/ Extension (for privacy sets)
  - Long Inside Passage Half Spindle
  - 2" Rosette Screws
  - Extended Full-Lip Strike Plate

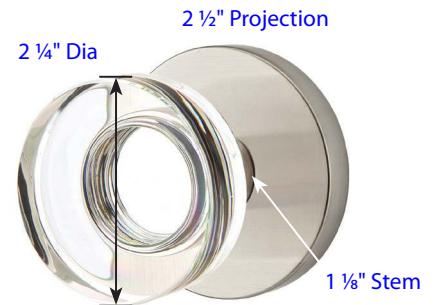
- **Extended** Door Thickness: 2 1/2" - 3"
- Extended Components:
  - Privacy Pin w/ Extension (for privacy sets)
  - Extra Long Inside Passage Half Spindle
  - 2 1/2" Rosette Screws
  - Extended Full-Lip Strike Plate



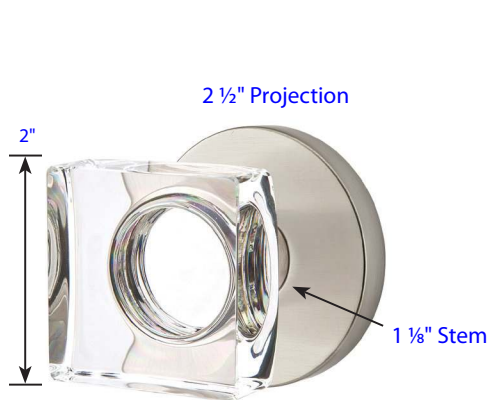
**Bristol - Modern (BL)**  
with Square Rosette



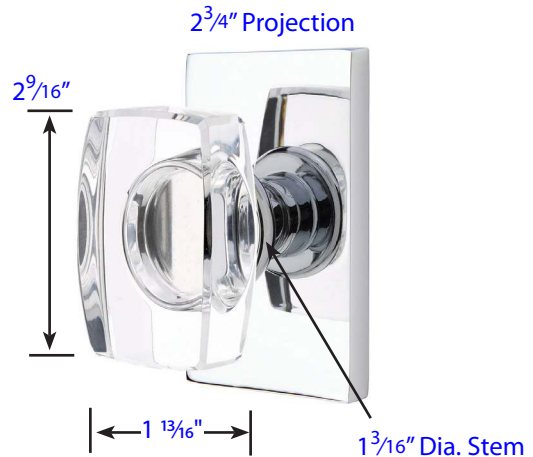
**Hampton - Modern (HT)**  
with Neos Rosette



**Modern Disc Crystal (MDC)**  
with Disk Rosette



**Modern Square Crystal (MSC)**  
with Disk Rosette



**Windsor - Modern (WS)**  
with Modern Rectangular Rosette

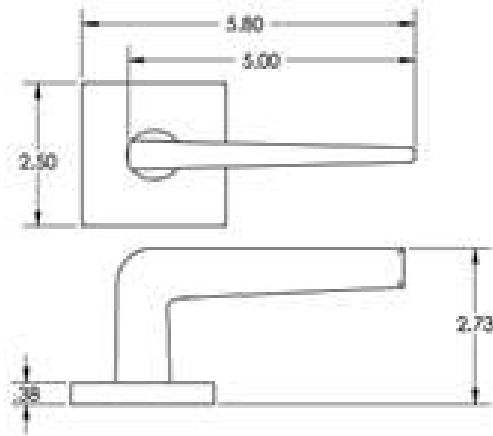
See page 7 rosette specification.

Door Thickness Specifications

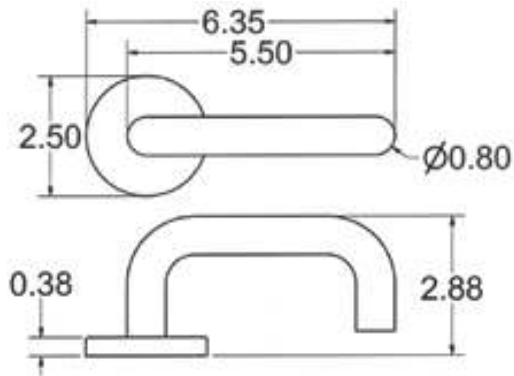
- Standard Door Thickness: 1 1/4" - 2"
- Standard Components:
  - Privacy Pin (for privacy sets)
  - Inside Passage Half Spindle
  - 1-1/2" Rosette Screws
  - Full-Lip Strike Plate

- **Extended** Door Thickness: 2" - 2 1/2"
- Extended Components:
  - Privacy Pin w/ Extension (for privacy sets)
  - Long Inside Passage Half Spindle
  - 2" Rosette Screws
  - Extended Full-Lip Strike Plate

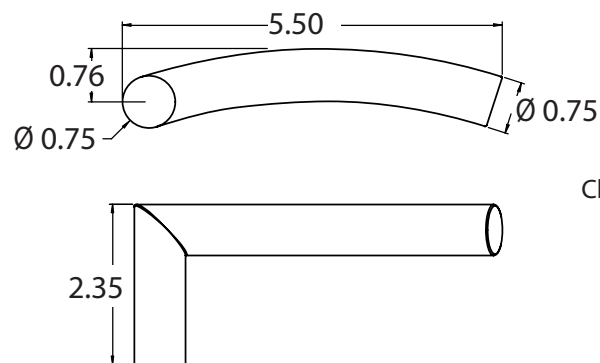
- **Extended** Door Thickness: 2 1/2" - 3"
- Extended Components:
  - Privacy Pin w/ Extension (for privacy sets)
  - Extra Long Inside Passage Half Spindle
  - 2-1/2" Rosette Screws
  - Extended Full-Lip Strike Plate



Clearance 1 1/2"



Clearance 1 5/8"



Clearance 1 1/16"

See page 15 for rosette specification.

Door Thickness Specifications

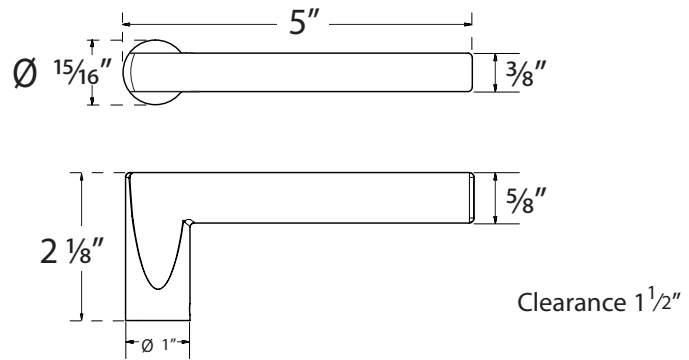
- Standard Door Thickness: 1 3/8" - 2"
- Standard Components:
  - Privacy Pin (for privacy sets)
  - Inside Passage Half Spindle
  - 1 1/2" Socket Head Machine Screws
  - Full-Lip Strike Plate

- **Extended** Door Thickness: 2" - 2 1/2"
- Extended Components:
  - Privacy Pin w/ Extension (for privacy sets)
  - Long Inside Passage Half Spindle
  - 2" Socket Head Machine Screws
  - Extended Full-Lip Strike Plate

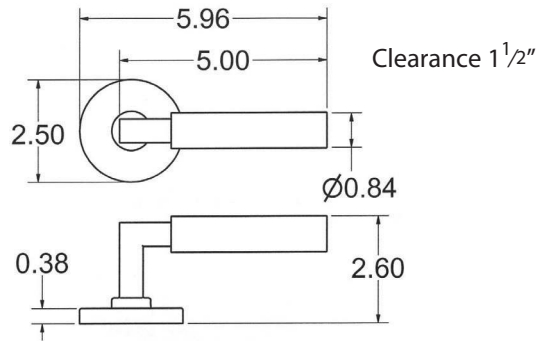
- **Extended** Door Thickness: 2 1/2" - 2 3/4"
- Extended Components:
  - Privacy Pin w/ Extension (for privacy sets)
  - Long Inside Passage Half Spindle
  - 2 1/2" Socket Head Machine Screws
  - Extended Full-Lip Strike Plate



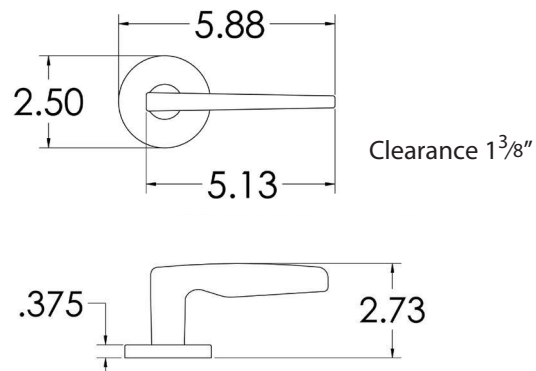
**Helios (HL)**  
with Square Rosette



**Hercules (HS)**  
with Square Rosette



**Hermes (HES)**  
with Disk Rosette



See page 15 for rosette specification.

Door Thickness Specifications

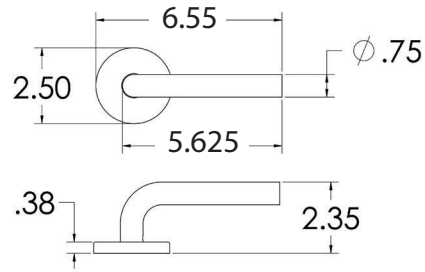
- Standard Door Thickness: 1<sup>3</sup>/<sub>8</sub>"- 2"
- Standard Components:
  - Privacy Pin (for privacy sets)
  - Inside Passage Half Spindle
  - 1<sup>1</sup>/<sub>2</sub>" Socket Head Machine Screws
  - Full-Lip Strike Plate

- **Extended** Door Thickness: 2"- 2<sup>1</sup>/<sub>2</sub>"
- Extended Components:
  - Privacy Pin w/ Extension (for privacy sets)
  - Long Inside Passage Half Spindle
  - 2" Socket Head Machine Screws
  - Extended Full-Lip Strike Plate

- **Extended** Door Thickness: 2<sup>1</sup>/<sub>2</sub>"- 2<sup>3</sup>/<sub>4</sub>"
- Extended Components:
  - Privacy Pin w/ Extension (for privacy sets)
  - Long Inside Passage Half Spindle
  - 2<sup>1</sup>/<sub>2</sub>" Socket Head Machine Screws
  - Extended Full-Lip Strike Plate



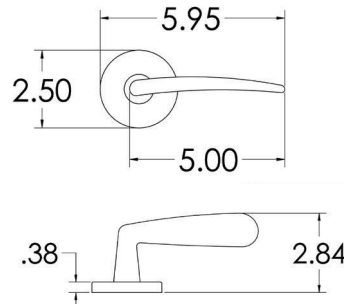
**Kiel (KL)**  
with Square Rosette



Clearance: 1¼"



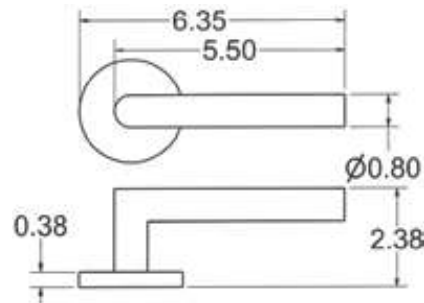
**Poseidon (PO)**  
with Square Rosette



Clearance: 1⅜"



**Stuttgart (STT)**  
with Disk Rosette



Clearance: 1¼"

See page 15 for rosette specification.

Door Thickness Specifications

- Standard Door Thickness: 1<sup>3</sup>/<sub>8</sub>" - 2"
- Standard Components:
  - Privacy Pin (for privacy sets)
  - Inside Passage Half Spindle
  - 1<sup>1</sup>/<sub>2</sub>" Socket Head Machine Screws
  - Full-Lip Strike Plate

- **Extended** Door Thickness: 2" - 2<sup>1</sup>/<sub>2</sub>"
- Extended Components:
  - Privacy Pin w/ Extension (for privacy sets)
  - Long Inside Passage Half Spindle
  - 2" Socket Head Machine Screws
  - Extended Full-Lip Strike Plate

- **Extended** Door Thickness: 2<sup>1</sup>/<sub>2</sub>" - 2<sup>3</sup>/<sub>4</sub>"
- Extended Components:
  - Privacy Pin w/ Extension (for privacy sets)
  - Long Inside Passage Half Spindle
  - 2<sup>1</sup>/<sub>2</sub>" Socket Head Machine Screws
  - Extended Full-Lip Strike Plate

**Functions:**

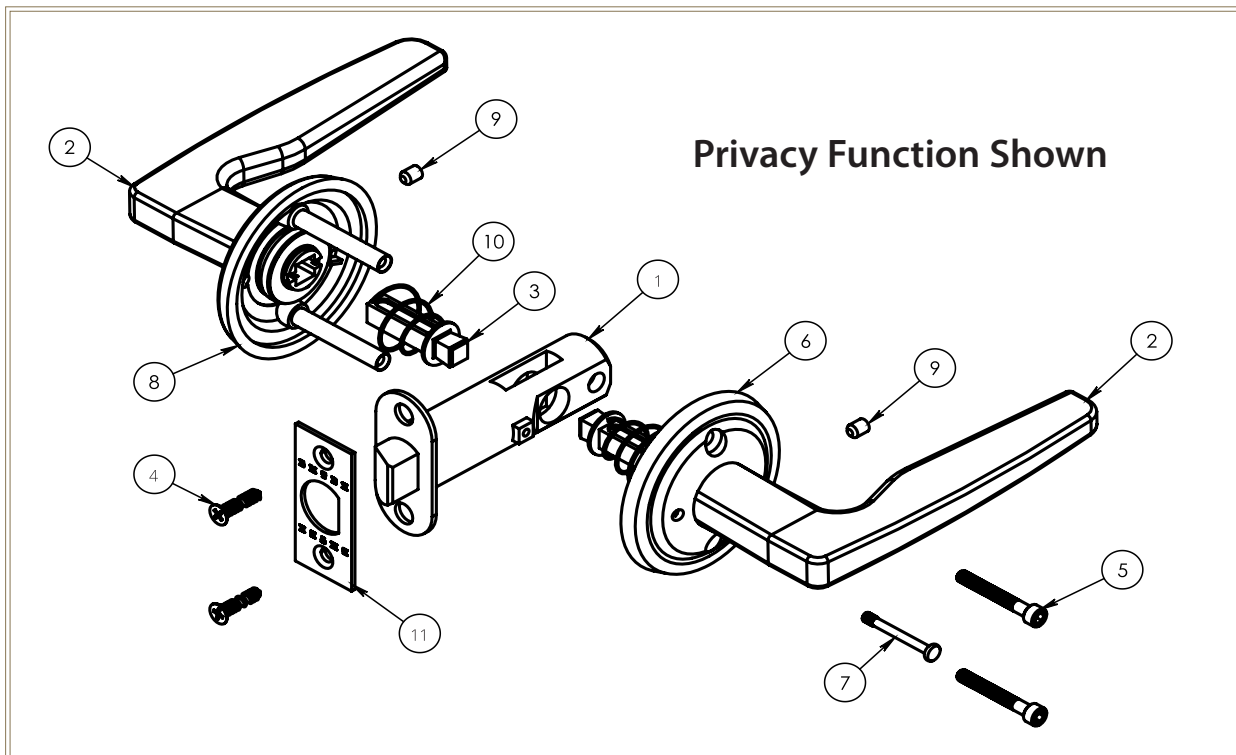
Passage: Lever operates from either side of door.

Privacy: Push button on the interior engages privacy. Turning the inside lever releases privacy and retracts latchbolt.

Dummy Pair: Surface mounted on threaded spindle. Requires no door prep.

**Door Prep Specifications:**

- Fits standard door prep--2 1/8" face bore & 1" edge bore.
- Fits a range of door thickness from 1 3/8" to 2". Thicker doors--please specify.



**Latches:**

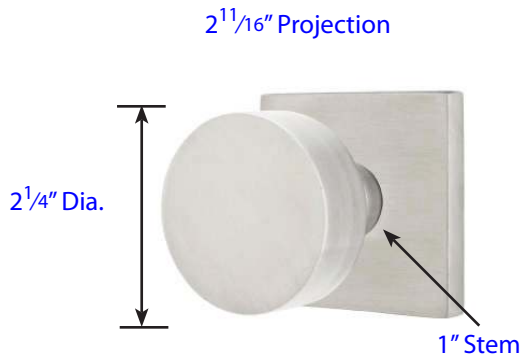
- 28° retraction
- 7mm hub
- Split spindles
- 2 3/8" backset standard
- 2 3/4" backset available--please specify
- Stainless steel nosebolt

**Strike & Face Plates:**

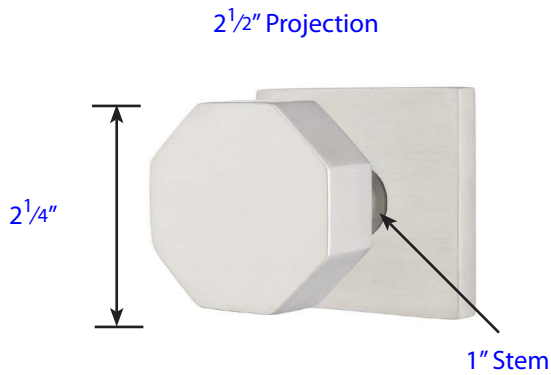
- Strike Plate--1 1/2"W x 2 1/4"H
- Face Plate--1"W x 2 1/4"H
- Full Lip strike is standard
- "T" strike optional--please specify
- Strike & faceplates are square cornered

**Legend**

- 1) Latch (Passage/Privacy)
- 2) Lever Handles
- 3) Spindles
- 4) Face Plate Wood Screws
- 5) Socket Hex Head Machine Screws
- 6) Inside Rosette
- 7) Privacy Pin (for Privacy Sets)
- 8) Outside Rosette
- 9) Set Screws
- 10) Spindle Spring
- 11) Latch Face Plate



**Round (RNK)**  
 with Square Rosette



**Octagon (OK)**  
 with Square Rosette

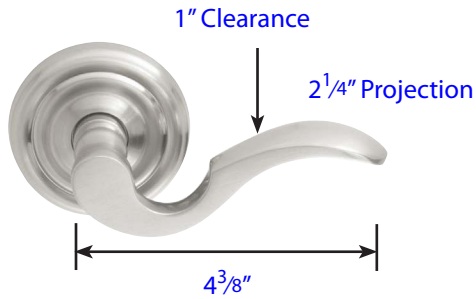
Rosettes
3/8" Thick Beveled <b>DISCONTINUED</b>  2 7/16" Dia.
Disk  2 1/2" Dia.
Square  2 1/2" x 2 1/2"

Door Thickness Specifications

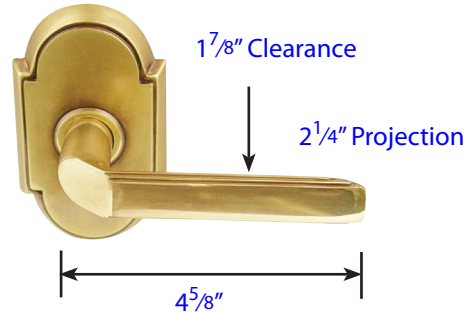
- Standard Door Thickness: 1 3/8" - 2"
- Standard Components:
  - Privacy Pin (for privacy sets)
  - Inside Passage Half Spindle
  - 1 1/2" Socket Head Machine Screws
  - Full-Lip Strike Plate

- **Extended** Door Thickness: 2" - 2 1/2"
- Extended Components:
  - Privacy Pin w/ Extension (for privacy sets)
  - Long Inside Passage Half Spindle
  - 2" Socket Head Machine Screws
  - Extended Full-Lip Strike Plate

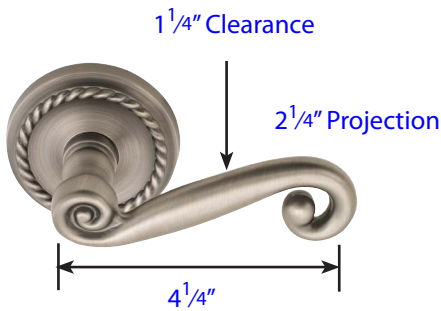
- **Extended** Door Thickness: 2 1/2" - 2 3/4"
- Extended Components:
  - Privacy Pin w/ Extension (for privacy sets)
  - Long Inside Passage Half Spindle
  - 2 1/2" Socket Head Machine Screws
  - Extended Full-Lip Strike Plate



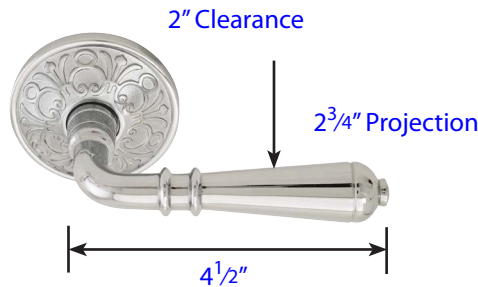
**Cortina (C)**  
with Regular Rosette



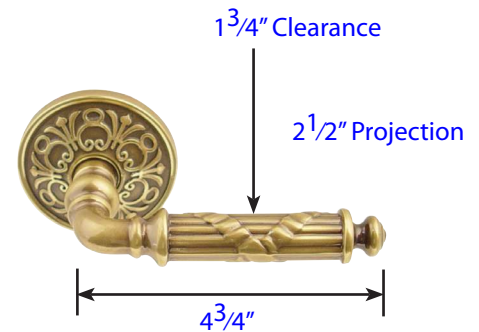
**Milano (M)**  
with #8 Rosette



**Rustic (R)**  
with Rope Rosette



**Turino (T)**  
with Lancaster Rosette



**Ribbon & Reed (RBL)**  
with Lancaster Rosette

See page 18 for rosette specification.

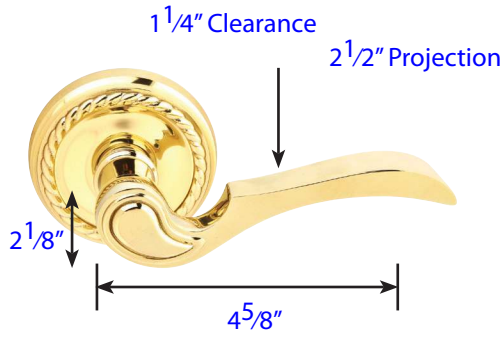
### Door Thickness Specifications

- Standard Door Thickness: 1 1/4" - 2"
- Standard Components:
- Privacy Pin (for privacy sets)
- Inside Passage Half Spindle
- 1 1/2" Rosette Screws
- Full-Lip Strike Plate

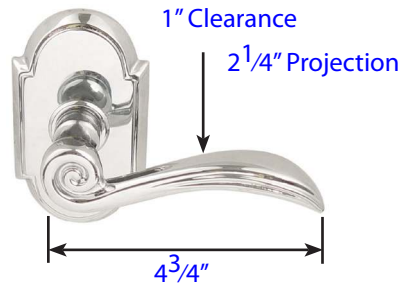
- **Extended** Door Thickness: 2" - 2 1/2"
- Extended Components:
- Privacy Pin w/ Extension (for privacy sets)
- Long Inside Passage Half Spindle
- 2" Rosette Screws
- Extended Full-Lip Strike Plate

- **Extended** Door Thickness: 2 1/2" - 3"
- Extended Components:
- Privacy Pin w/ Extension (for privacy sets)
- Extra Long Inside Passage Half Spindle
- 2 1/2" Rosette Screws
- Extended Full-Lip Strike Plate

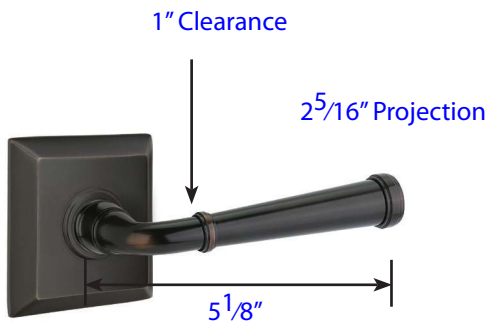




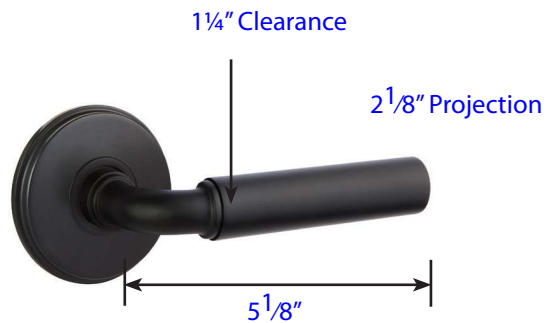
**Coventry (CV)**  
with Rope Rosette



**Elan (EN)**  
with #8 Rosette



**Merrimack (ME)**  
with Quincy Rosette



**Manning (MNG)**  
with Watford Rosette

See page 18 for rosette specification.

Door Thickness Specifications

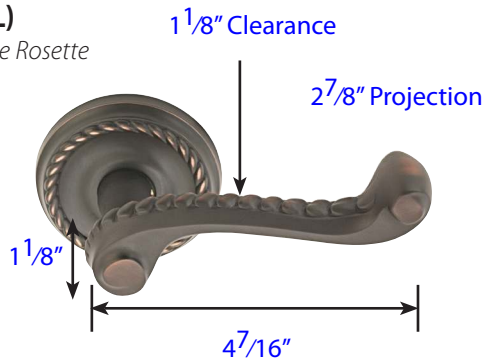
- Standard Door Thickness: 1 1/4" - 2"
- Standard Components:
- Privacy Pin (for privacy sets)
- Inside Passage Half Spindle
- 1 1/2" Rosette Screws
- Full-Lip Strike Plate

- **Extended** Door Thickness: 2" - 2 1/2"
- Extended Components:
- Privacy Pin w/ Extension (for privacy sets)
- Long Inside Passage Half Spindle
- 2" Rosette Screws
- Extended Full-Lip Strike Plate

- **Extended** Door Thickness: 2 1/2" - 3"
- Extended Components:
- Privacy Pin w/ Extension (for privacy sets)
- Extra Long Inside Passage Half Spindle
- 2 1/2" Rosette Screws
- Extended Full-Lip Strike Plate

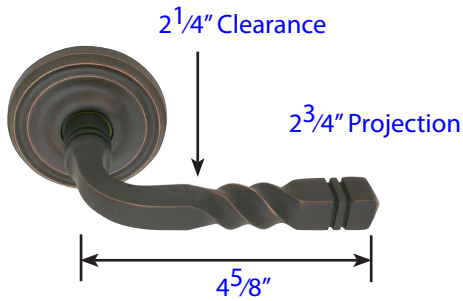
**Rope (RL)**

with Rope Rosette



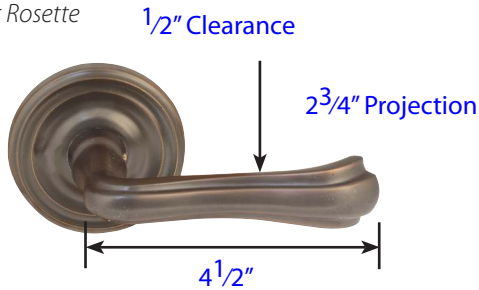
**Santa Fe (SF)**

with Regular Rosette



**Wembley (WM)**

with Regular Rosette



Rosettes

3/8" Thick

Regular



2 3/4" Dia.

Rope



2 3/4" Dia.

Rectangular



4 3/8" x 2 9/16"

Quincy



2 1/2" x 2 1/2"

Lancaster



2 3/4" Dia.

Ribbon & Reed



2 3/4" Dia.

#8



4 3/8" x 2 9/16"

Watford



2 3/4" Dia.

7/16" Thick

Oval



4 1/2" x 2 1/2"

Wilshire



3" x 2 1/2"

Hammered



2 3/4" x 2 3/4"

Porcelain



2 1/2" x 2 1/2"

1/2" Thick

Arts & Crafts  
Rectangular



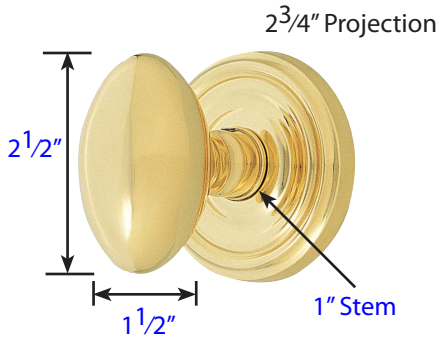
4" x 2 1/2"

Door Thickness Specifications

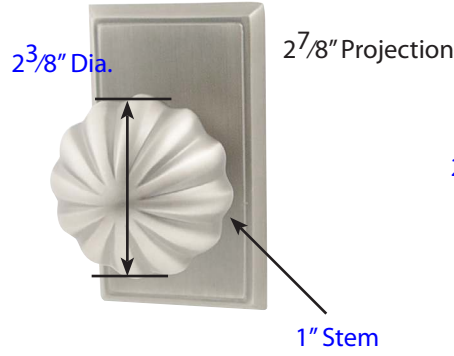
- Standard Door Thickness: 1 1/4" - 2"
- Standard Components:
- Privacy Pin (for privacy sets)
- Inside Passage Half Spindle
- 1 1/2" Rosette Screws
- Full-Lip Strike Plate

- **Extended** Door Thickness: 2" - 2 1/2"
- Extended Components:
- Privacy Pin w/ Extension (for privacy sets)
- Long Inside Passage Half Spindle
- 2" Rosette Screws
- Extended Full-Lip Strike Plate

- **Extended** Door Thickness: 2 1/2" - 3"
- Extended Components:
- Privacy Pin w/ Extension (for privacy sets)
- Extra Long Inside Passage Half Spindle
- 2 1/2" Rosette Screws
- Extended Full-Lip Strike Plate



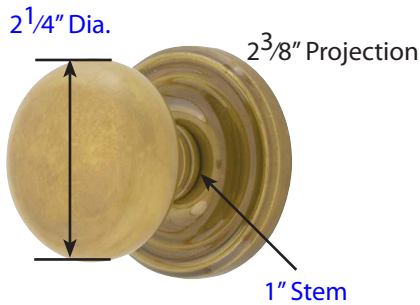
**Egg (E)**  
with Regular Rosette



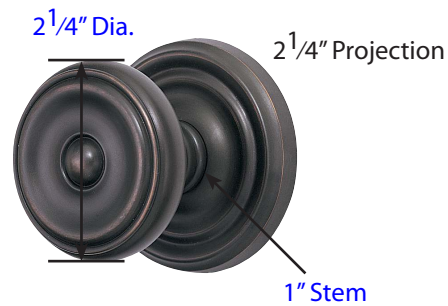
**Melon (MN)**  
with Rectangular Rosette



**Norwich (NW)**  
with #8 Rosette



**Providence (P)**  
with Regular Rosette



**Waverly (W)**  
with Regular Rosette

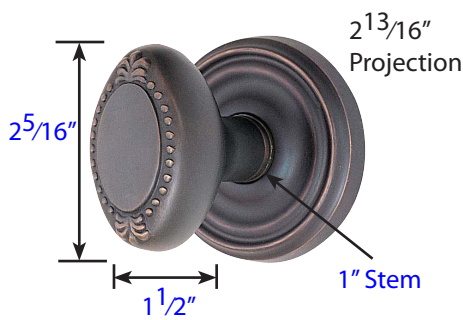
See page 18 for rosette specification.

### Door Thickness Specifications

- Standard Door Thickness: 1 1/4" - 2"
- Standard Components:
  - Privacy Pin (for privacy sets)
  - Inside Passage Half Spindle
  - 1 1/2" Rosette Screws
  - Full-Lip Strike Plate

- **Extended** Door Thickness: 2" - 2 1/2"
- Extended Components:
  - Privacy Pin w/ Extension (for privacy sets)
  - Long Inside Passage Half Spindle
  - 2" Rosette Screws
  - Extended Full-Lip Strike Plate

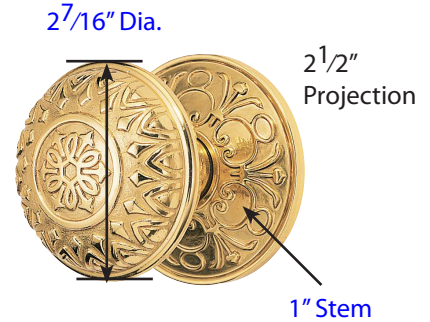
- **Extended** Door Thickness: 2 1/2" - 3"
- Extended Components:
  - Privacy Pin w/ Extension (for privacy sets)
  - Extra Long Inside Passage Half Spindle
  - 2 1/2" Rosette Screws
  - Extended Full-Lip Strike Plate



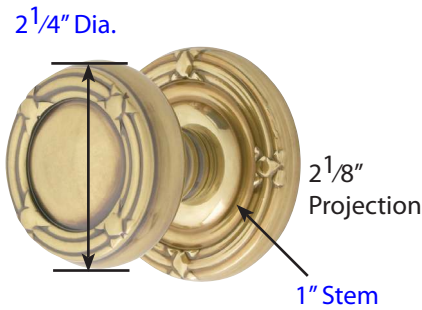
**Beaded Egg (BE)**  
with Regular Rosette



**Belmont (BT)**  
with Lancaster Rosette



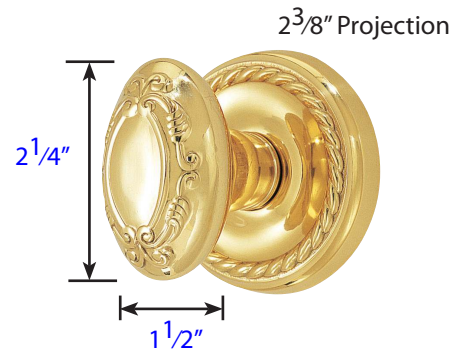
**Lancaster (LN)**  
with Lancaster Rosette



**Ribbon & Reed (RBK)**  
with Ribbon & Reed Rosette



**Rope (RK)**  
with Rope Rosette



**Victoria (V)**  
with Rope Rosette

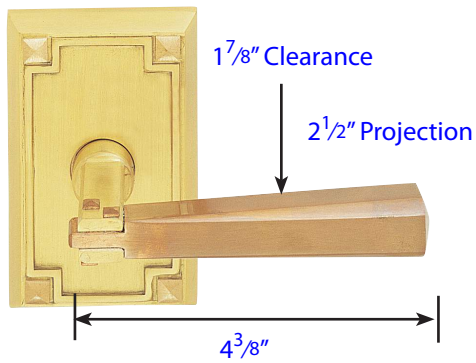
See page 18 for rosette specification.

### Door Thickness Specifications

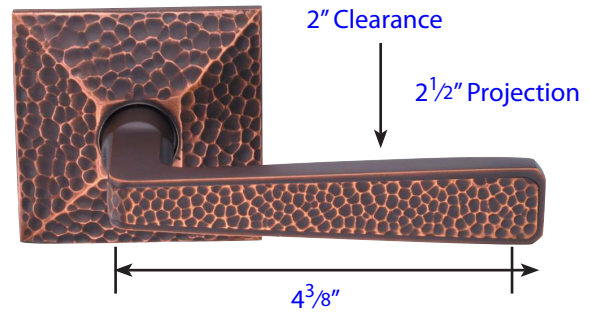
- Standard Door Thickness: 1 1/4" - 2"
- Standard Components:
- Privacy Pin (for privacy sets)
- Inside Passage Half Spindle
- 1 1/2" Rosette Screws
- Full-Lip Strike Plate

- **Extended** Door Thickness: 2" - 2 1/2"
- Extended Components:
- Privacy Pin w/ Extension (for privacy sets)
- Long Inside Passage Half Spindle
- 2" Rosette Screws
- Extended Full-Lip Strike Plate

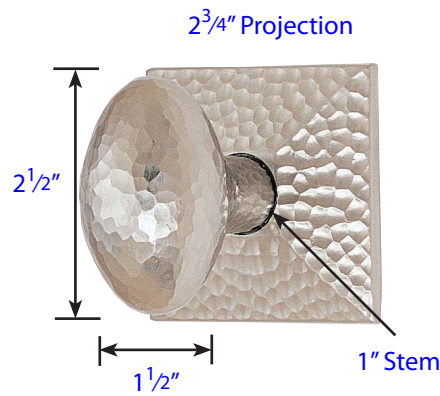
- **Extended** Door Thickness: 2 1/2" - 3"
- Extended Components:
- Privacy Pin w/ Extension (for privacy sets)
- Extra Long Inside Passage Half Spindle
- 2 1/2" Rosette Screws
- Extended Full-Lip Strike Plate



**Arts & Crafts (AC)**  
 with Arts & Crafts  
 Rectangular Rosette



**Hammered (HM)**  
 with Hammered Rosette



**Hammered Egg (HE)**  
 with Hammered Rosette

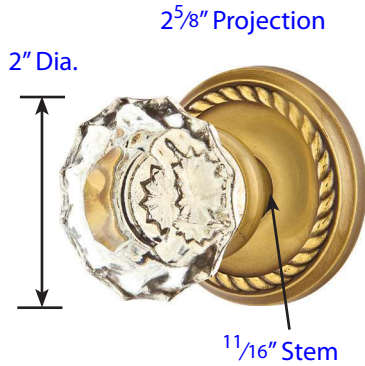
See page 18 for rosette specification.

### Door Thickness Specifications

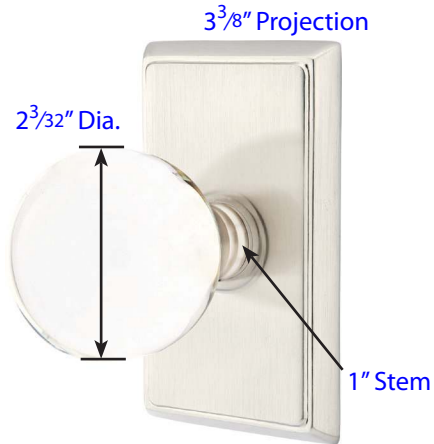
- Standard Door Thickness: 1 1/4" - 2"
- Standard Components:
- Privacy Pin (for privacy sets)
- Inside Passage Half Spindle
- 1 1/2" Rosette Screws
- Full-Lip Strike Plate

- **Extended** Door Thickness: 2" - 2 1/2"
- Extended Components:
- Privacy Pin w/ Extension (for privacy sets)
- Long Inside Passage Half Spindle
- 2" Rosette Screws
- Extended Full-Lip Strike Plate

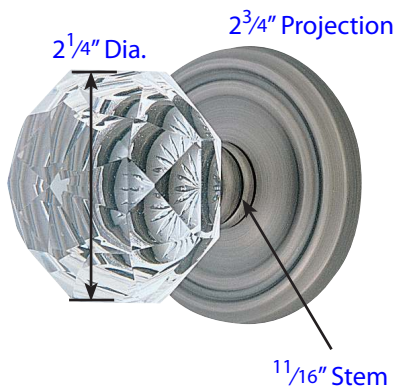
- **Extended** Door Thickness: 2 1/2" - 3"
- Extended Components:
- Privacy Pin w/ Extension (for privacy sets)
- Extra Long Inside Passage Half Spindle
- 2 1/2" Rosette Screws
- Extended Full-Lip Strike Plate



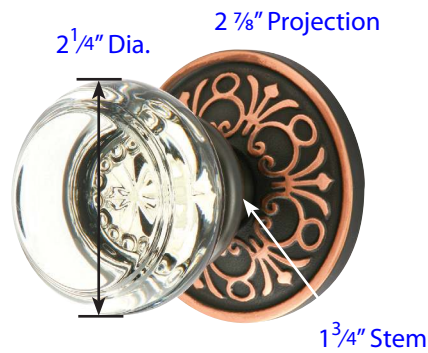
**Astoria Clear (AS)**  
with Rope Rosette



**Bristol (BL)**  
with Rectangular Rosette



**Diamond (CK)**  
with Regular Rosette



**Georgetown (GT)**  
with Lancaster Rosette

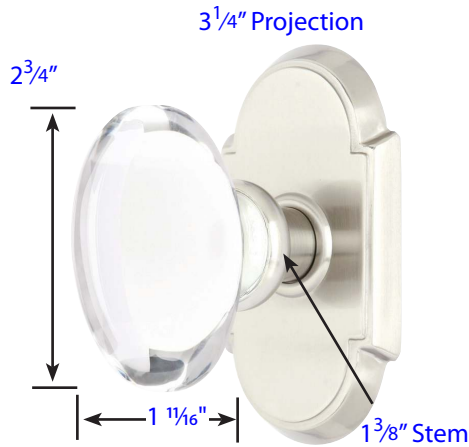
See page 18 for rosette specification.

Door Thickness Specifications

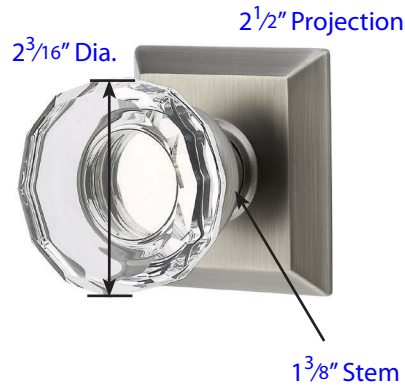
- Standard Door Thickness: 1<sup>1</sup>/<sub>4</sub>" - 2"
- Standard Components:
- Privacy Pin (for privacy sets)
- Inside Passage Half Spindle
- 1<sup>1</sup>/<sub>2</sub>" Rosette Screws
- Full-Lip Strike Plate

- **Extended** Door Thickness: 2" - 2<sup>1</sup>/<sub>2</sub>"
- Extended Components:
- Privacy Pin w/ Extension (for privacy sets)
- Long Inside Passage Half Spindle
- 2" Rosette Screws
- Extended Full-Lip Strike Plate

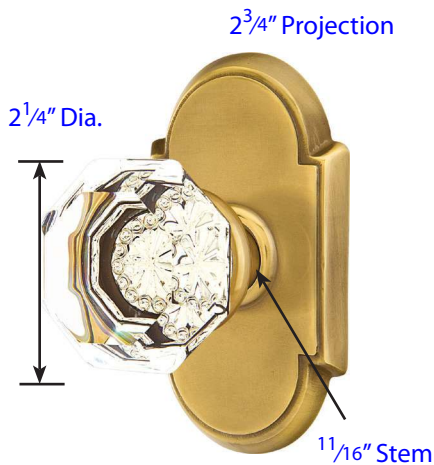
- **Extended** Door Thickness: 2<sup>1</sup>/<sub>2</sub>" - 3"
- Extended Components:
- Privacy Pin w/ Extension (for privacy sets)
- Extra Long Inside Passage Half Spindle
- 2<sup>1</sup>/<sub>2</sub>" Rosette Screws
- Extended Full-Lip Strike Plate



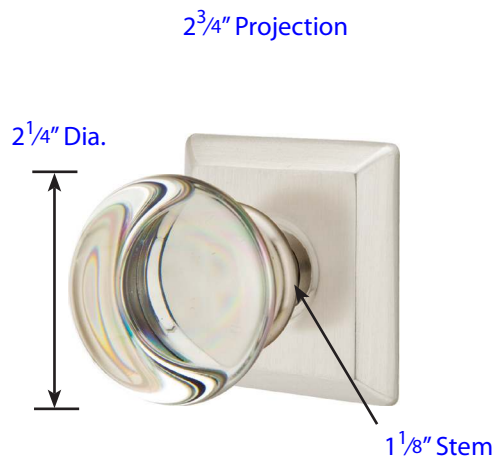
**Hampton (HT)**  
with #8 Rosette



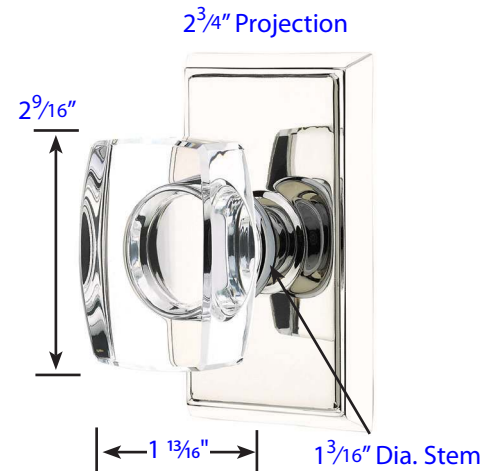
**Lowell Crystal (LW)**  
with Quincy Rosette



**Old Town - Clear (OT)**  
with #8 Rosette



**Providence Crystal (PC)**  
with Quincy Rosette



**Windsor (WS)**  
with Rectangular Rosette

See page 18 for rosette specification.

### Door Thickness Specifications

- Standard Door Thickness: 1 1/4" - 2"
- Standard Components:
- Privacy Pin (for privacy sets)
- Inside Passage Half Spindle
- 1 1/2" Rosette Screws
- Full-Lip Strike Plate

- **Extended** Door Thickness: 2" - 2 1/2"
- Extended Components:
- Privacy Pin w/ Extension (for privacy sets)
- Long Inside Passage Half Spindle
- 2" Rosette Screws
- Extended Full-Lip Strike Plate

- **Extended** Door Thickness: 2 1/2" - 3"
- Extended Components:
- Privacy Pin w/ Extension (for privacy sets)
- Extra Long Inside Passage Half Spindle
- 2 1/2" Rosette Screws
- Extended Full-Lip Strike Plate

**PORCELAIN KNOBSETS WITH PORCELAIN ROSETTES**

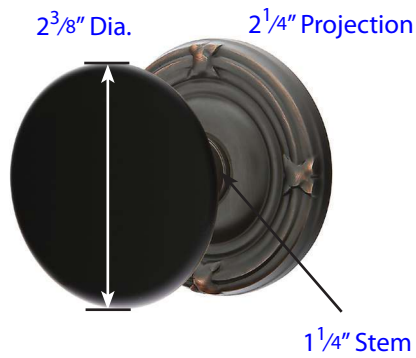


**Ice White (IW)**  
with Porcelain Rosette

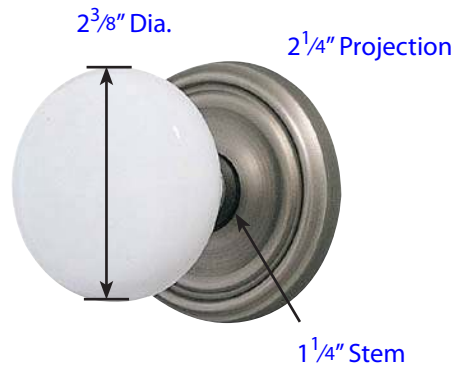


**Ebony (EB)**  
with Porcelain Rosette

**PORCELAIN KNOBSETS WITH BRASS ROSETTES**



**Ebony (EB)**  
with Ribbon & Reed Rosette



**Ice White (IW)**  
with Regular Rosette

See page 18 for rosette specification.

**Door Thickness Specifications**

**Standard Door Thickness: 1-3/8" - 1-3/4"**

- Privacy pin (for privacy sets)
- 3-3/4" Split spindle
- 1" Concealed screws
- Full-Lip strike plate

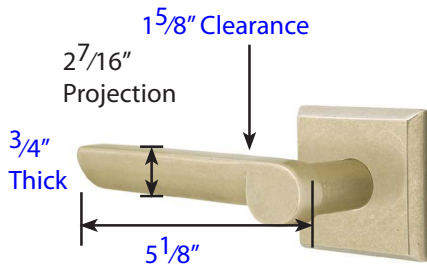
**Extended Door Thickness: 1-7/8" - 2-1/8"**

- Extended privacy pin (for privacy sets)
- 4-1/8" Split spindle
- 1-1/2" Concealed screws
- Extended full-lip strike plate

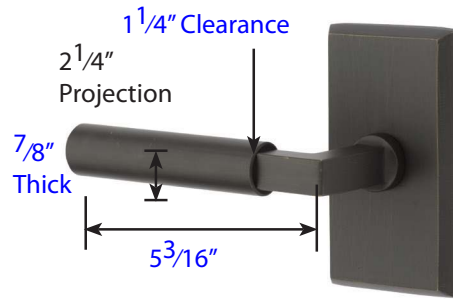
**Extended Door Thickness: 2-1/4"**

- Extended privacy pin (for privacy sets)
- 4-1/2" Split spindle
- 1-1/2" Concealed screws
- Extended full-lip strike plate

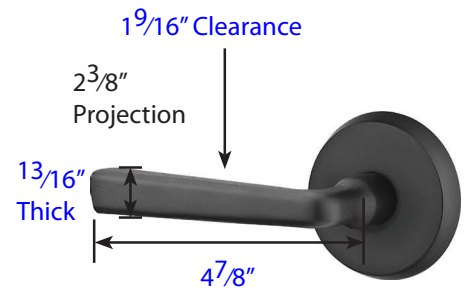




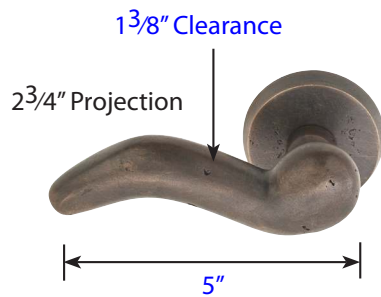
**Aurora (AR)**  
with #6 Rosette



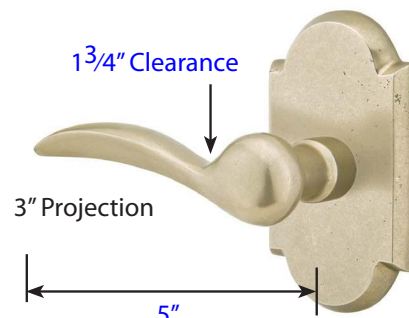
**Bryce (BR)**  
with #3 Rosette



**Cimarron (CR)**  
with #2 Rosette



**Cody (CD)**  
with #2 Rosette



**Durango (D)**  
with #1 Rosette

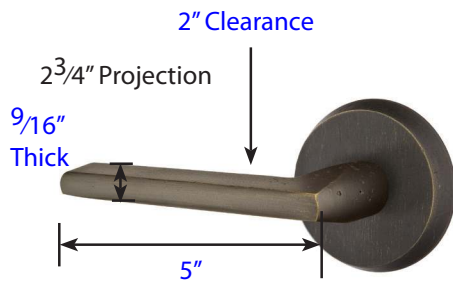
See page 27 for rosette specification.

### Door Thickness Specifications

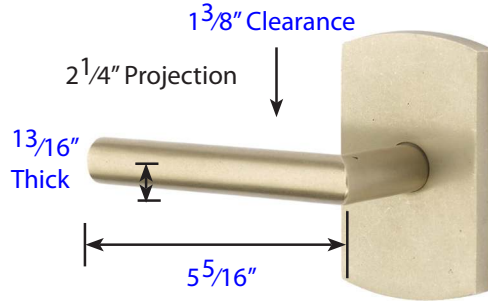
- Standard Door Thickness: 1 1/4" - 2"
- Standard Components:
  - Privacy Pin (for privacy sets)
  - Inside Passage Half Spindle
  - 1 1/2" Rosette Screws
  - Full-Lip Strike Plate

- **Extended** Door Thickness: 2" - 2 1/2"
- Extended Components:
  - Privacy Pin w/ Extension (for privacy sets)
  - Long Inside Passage Half Spindle
  - 2" Rosette Screws
  - Extended Full-Lip Strike Plate

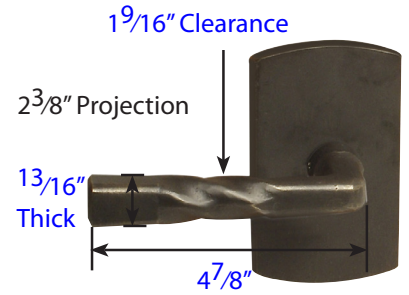
- **Extended** Door Thickness: 2 1/2" - 3"
- Extended Components:
  - Privacy Pin w/ Extension (for privacy sets)
  - Extra Long Inside Passage Half Spindle
  - 2 1/2" Rosette Screws
  - Extended Full-Lip Strike Plate



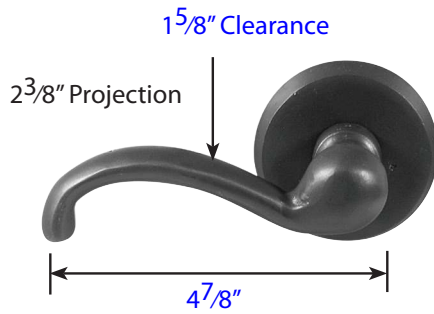
**Lariat (LR)**  
with #2 Rosette



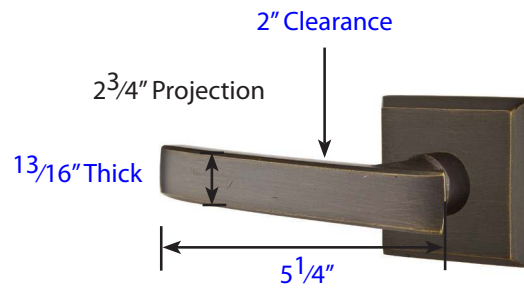
**Mariposa (MA)**  
with #4 Rosette



**Montrose (MT)**  
with #4 Rosette



**Teton (TT)**  
with #2 Rosette



**Yuma (YM)**  
with #6 Rosette

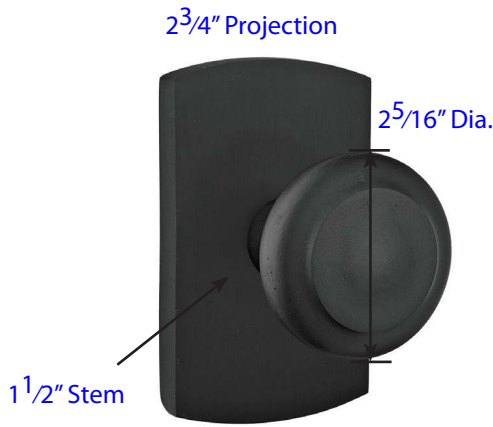
See page 27 for rosette specification.

Door Thickness Specifications

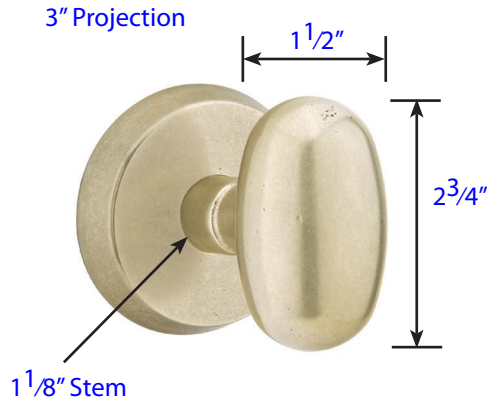
- Standard Door Thickness: 1 1/4" - 2"
- Standard Components:
  - Privacy Pin (for privacy sets)
  - Inside Passage Half Spindle
  - 1 1/2" Rosette Screws
  - Full-Lip Strike Plate

- **Extended** Door Thickness: 2" - 2 1/2"
- Extended Components:
  - Privacy Pin w/ Extension (for privacy sets)
  - Long Inside Passage Half Spindle
  - 2" Rosette Screws
  - Extended Full-Lip Strike Plate

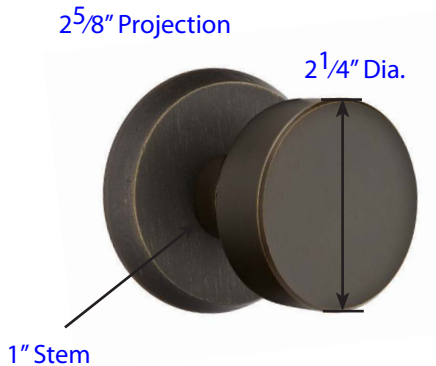
- **Extended** Door Thickness: 2 1/2" - 3"
- Extended Components:
  - Privacy Pin w/ Extension (for privacy sets)
  - Extra Long Inside Passage Half Spindle
  - 2 1/2" Rosette Screws
  - Extended Full-Lip Strike Plate



**Butte (BU)**  
with #4 Rosette



**Bronze Egg (BZE)**  
with #2 Rosette



**Round (BZRN)**  
with #2 Rosette



**Winchester (WC)**  
with #2 Rosette

Rosettes	
3/16" Thick	<p>#1</p> <p>4 1/2" x 2 1/2"</p>
	<p>#2</p> <p>2 3/4" Dia.</p>
	<p>#3</p> <p>4 1/2" x 2 1/2"</p>
1/2" Thick	<p>#4</p> <p>4 1/2" x 2 13/16"</p>
7/16" Thick	<p>#6</p> <p>2 1/2" x 2 1/2"</p>

### Door Thickness Specifications

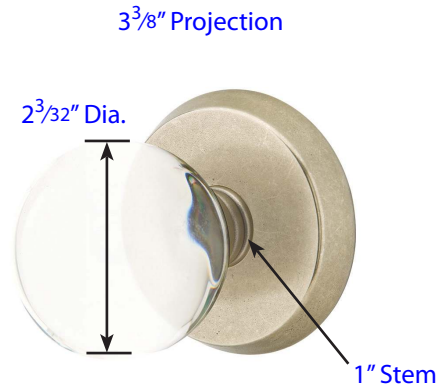
- Standard Door Thickness: 1 1/4" - 2"
- Standard Components:
  - Privacy Pin (for privacy sets)
  - Inside Passage Half Spindle
  - 1 1/2" Rosette Screws
  - Full-Lip Strike Plate

- **Extended** Door Thickness: 2" - 2 1/2"
- Extended Components:
  - Privacy Pin w/ Extension (for privacy sets)
  - Long Inside Passage Half Spindle
  - 2" Rosette Screws
  - Extended Full-Lip Strike Plate

- **Extended** Door Thickness: 2 1/2" - 3"
- Extended Components:
  - Privacy Pin w/ Extension (for privacy sets)
  - Extra Long Inside Passage Half Spindle
  - 2 1/2" Rosette Screws
  - Extended Full-Lip Strike Plate



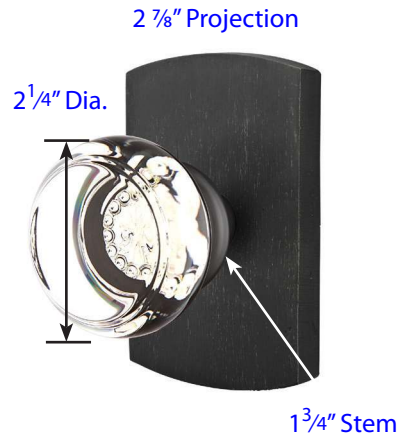
**Astoria (AS)**  
with #6 Rosette



**Bristol (BL)**  
with #2 Rosette



**Diamond Crystal (CK)**  
with #3 Rosette



**Georgetown (GT)**  
with #4 Rosette

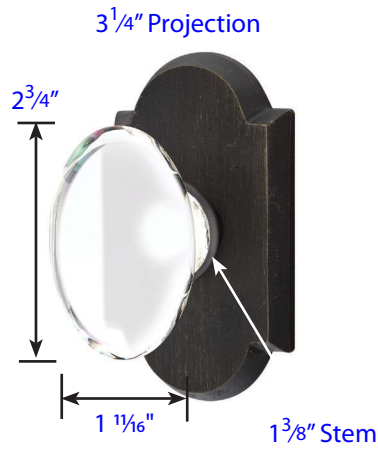
See page 27 for rosette specification.

### Door Thickness Specifications

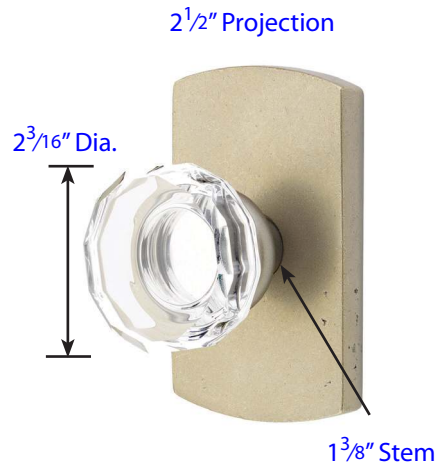
- Standard Door Thickness: 1 1/4" - 2"
- Standard Components:
- Privacy Pin (for privacy sets)
- Inside Passage Half Spindle
- 1 1/2" Rosette Screws
- Full-Lip Strike Plate

- **Extended** Door Thickness: 2" - 2 1/2"
- Extended Components:
- Privacy Pin w/ Extension (for privacy sets)
- Long Inside Passage Half Spindle
- 2" Rosette Screws
- Extended Full-Lip Strike Plate

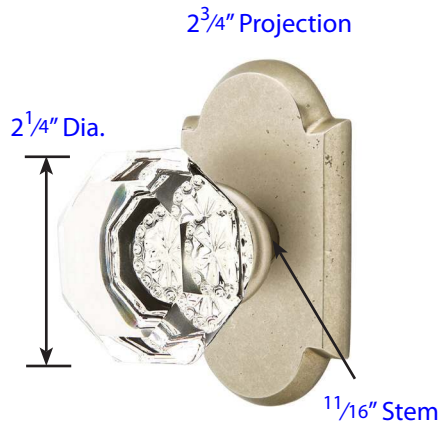
- **Extended** Door Thickness: 2 1/2" - 3"
- Extended Components:
- Privacy Pin w/ Extension (for privacy sets)
- Extra Long Inside Passage Half Spindle
- 2 1/2" Rosette Screws
- Extended Full-Lip Strike Plate



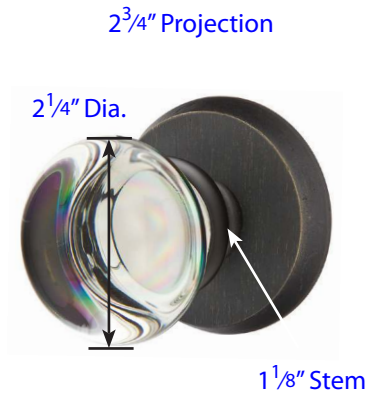
**Hampton (HT)**  
with #1 Rosette



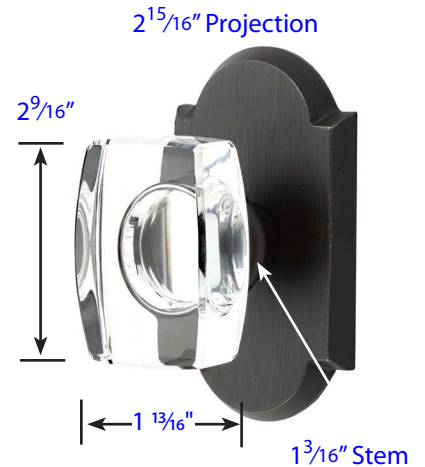
**Lowell (LW)**  
with #4 Rosette



**Old Town - Clear (OT)**  
with #1 Rosette



**Providence (PC)**  
with #2 Rosette



**Windsor (WS)**  
with #1 Rosette

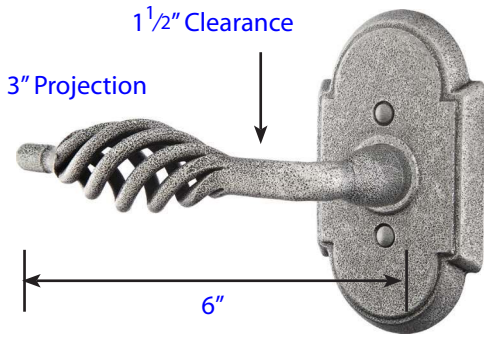
See page 27 for rosette specification.

Door Thickness Specifications

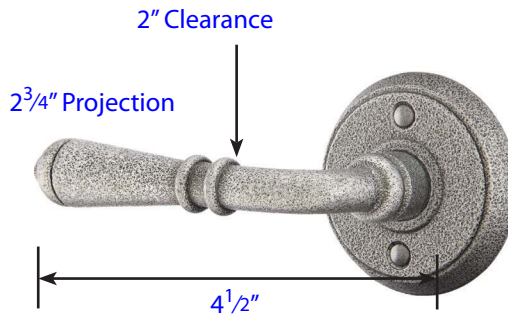
- Standard Door Thickness: 1 1/4" - 2"
- Standard Components:
- Privacy Pin (for privacy sets)
- Inside Passage Half Spindle
- 1 1/2" Rosette Screws
- Full-Lip Strike Plate

- **Extended** Door Thickness: 2" - 2 1/2"
- Extended Components:
- Privacy Pin w/ Extension (for privacy sets)
- Long Inside Passage Half Spindle
- 2" Rosette Screws
- Extended Full-Lip Strike Plate

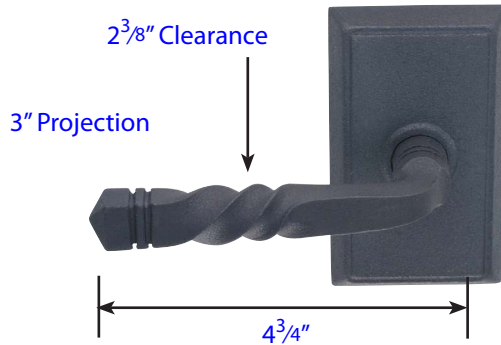
- **Extended** Door Thickness: 2 1/2" - 3"
- Extended Components:
- Privacy Pin w/ Extension (for privacy sets)
- Extra Long Inside Passage Half Spindle
- 2 1/2" Rosette Screws
- Extended Full-Lip Strike Plate



**Lafayette (L)**  
with #1 Rosette  
**DISCONTINUED**



**Normandy (N)**  
with #2 Rosette



**San Carlos (SC)**  
with #3 Rosette

Rosettes

3/8" Thick

#1



4 3/8" x 2 5/16"

#2



2 5/8" Dia.

#3



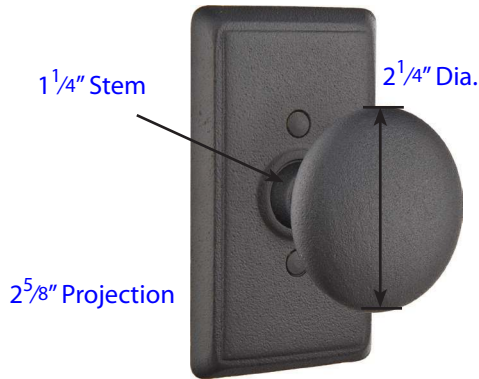
4 3/8" x 2 5/16"

Door Thickness Specifications

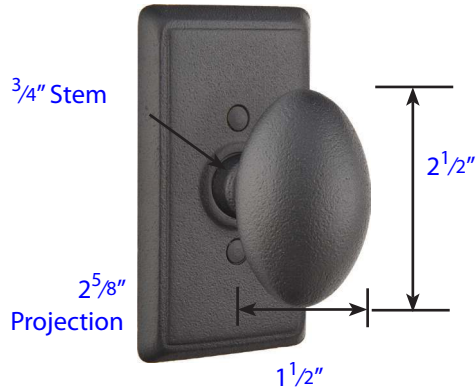
- Standard Door Thickness: 1 3/8" - 2"
- Standard Components:
  - Privacy Pin (for privacy sets)
  - Inside Passage Half Spindle
  - 1 1/2" Rosette Screws
  - Full-Lip Strike Plate

- **Extended** Door Thickness: 2" - 2 1/2"
- Extended Components:
  - Privacy Pin w/ Extension (for privacy sets)
  - Long Inside Passage Half Spindle
  - 2" Rosette Screws
  - Extended Full-Lip Strike Plate

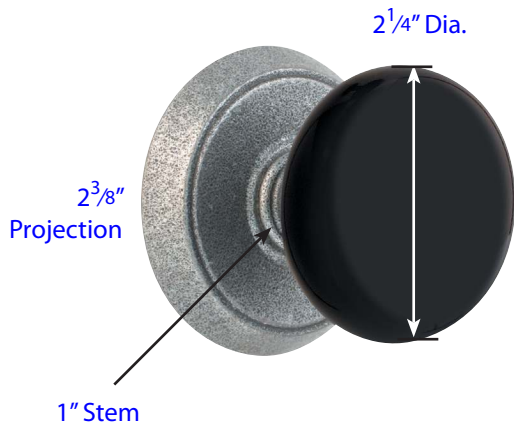
- **Extended** Door Thickness: 2 1/2" - 3"
- Extended Components:
  - Privacy Pin w/ Extension (for privacy sets)
  - Extra Long Inside Passage Half Spindle
  - 2 1/2" Rosette Screws
  - Extended Full-Lip Strike Plate



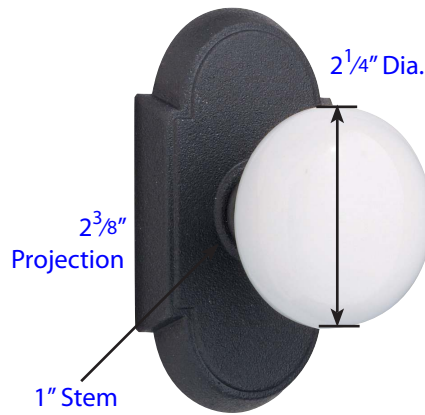
**Jamestown (J)**  
with #3 Rosette



**Savannah (SV)**  
with #3 Rosette



**Madison Black (MB)**  
with #2 Rosette



**Madison Ivory (MI)**  
with #1 Rosette

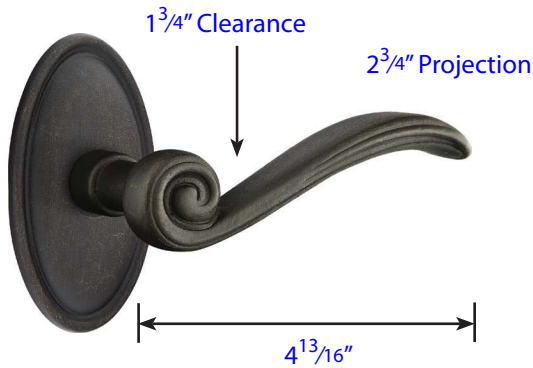
See page 30 for rosette specification.

Door Thickness Specifications

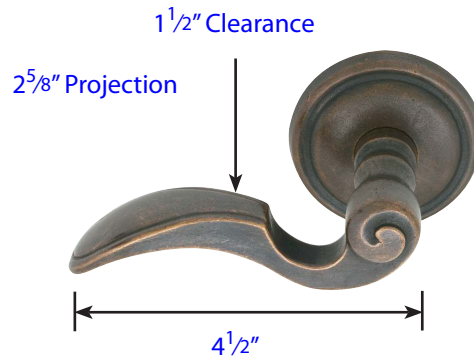
- Standard Door Thickness: 1 3/8" - 2"
- Standard Components:
  - Privacy Pin (for privacy sets)
  - Inside Passage Half Spindle
  - 1 1/2" Rosette Screws
  - Full-Lip Strike Plate

- **Extended** Door Thickness: 2" - 2 1/2"
- Extended Components:
  - Privacy Pin w/ Extension (for privacy sets)
  - Long Inside Passage Half Spindle
  - 2" Rosette Screws
  - Extended Full-Lip Strike Plate

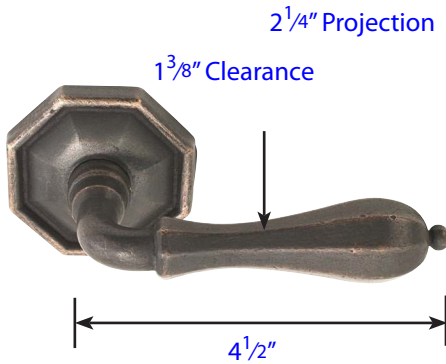
- **Extended** Door Thickness: 2 1/2" - 3"
- Extended Components:
  - Privacy Pin w/ Extension (for privacy sets)
  - Extra Long Inside Passage Half Spindle
  - 2 1/2" Rosette Screws
  - Extended Full-Lip Strike Plate



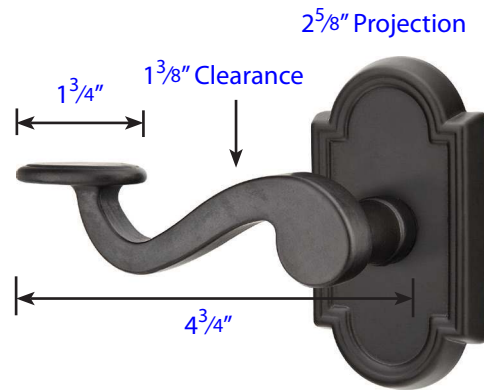
**Medici (MDI)**  
with #14 Rosette



**Napoli (NA)**  
with #12 Rosette



**Octagon (OCL)**  
with #15 Rosette



**Padua (PD)**  
with #11 Rosette

See page 33 for rosette specification.

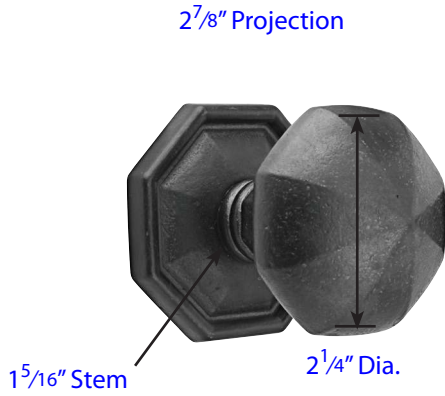
### Door Thickness Specifications

- Standard Door Thickness: 1 3/8" - 2"
- Standard Components:
  - Privacy Pin (for privacy sets)
  - Inside Passage Half Spindle
  - 1 1/2" Rosette Screws
  - Full-Lip Strike Plate

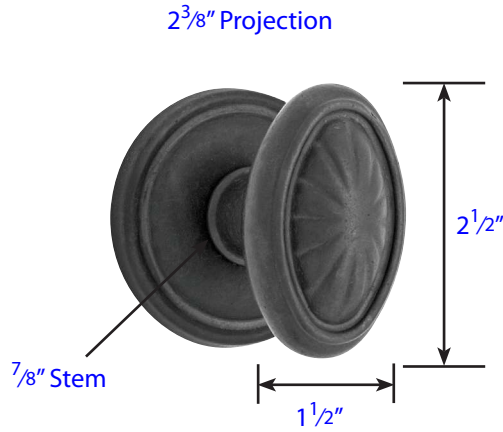
- **Extended** Door Thickness: 2" - 2 1/2"
- Extended Components:
  - Privacy Pin w/ Extension (for privacy sets)
  - Long Inside Passage Half Spindle
  - 2" Rosette Screws
  - Extended Full-Lip Strike Plate

- **Extended** Door Thickness: 2 1/2" - 3"
- Extended Components:
  - Privacy Pin w/ Extension (for privacy sets)
  - Extra Long Inside Passage Half Spindle
  - 2 1/2" Rosette Screws
  - Extended Full-Lip Strike Plate

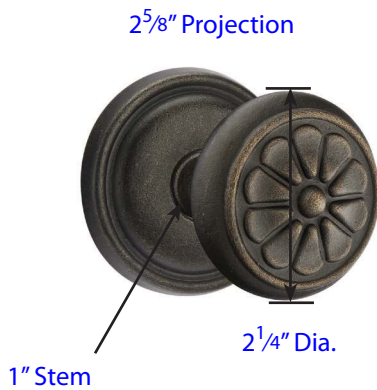




**Octagon (OCK)**  
with #15 Rosette



**Parma (PA)**  
with #12 Rosette



**Petal (PT)**  
with #12 Rosette

Rosettes

7/16" Thick

#11



4 1/2" x 2 1/2"

#12



2 5/8" Dia.

#14



4 1/2" x 2 3/8"

#15



2 1/2" x 2 1/2"

Door Thickness Specifications

- Standard Door Thickness: 1 3/8" - 2"
- Standard Components:
  - Privacy Pin (for privacy sets)
  - Inside Passage Half Spindle
  - 1 1/2" Rosette Screws
  - Full-Lip Strike Plate

- **Extended** Door Thickness: 2" - 2 1/2"
- Extended Components:
  - Privacy Pin w/ Extension (for privacy sets)
  - Long Inside Passage Half Spindle
  - 2" Rosette Screws
  - Extended Full-Lip Strike Plate

- **Extended** Door Thickness: 2 1/2" - 3"
- Extended Components:
  - Privacy Pin w/ Extension (for privacy sets)
  - Extra Long Inside Passage Half Spindle
  - 2 1/2" Rosette Screws
  - Extended Full-Lip Strike Plate