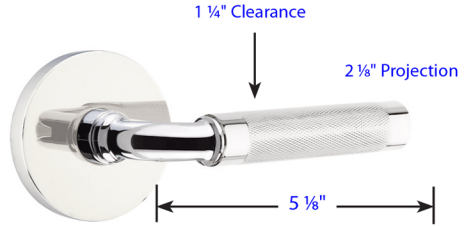
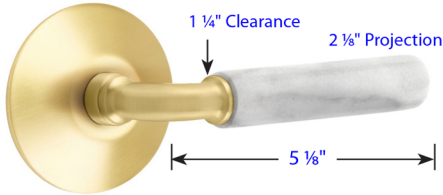


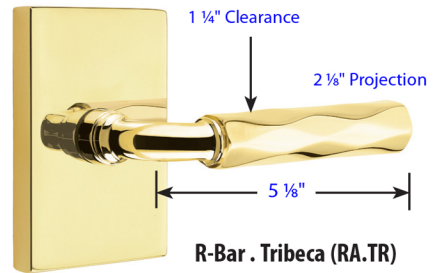
R-Bar . Straight Knurled (RA.SK)
with Square Rosette



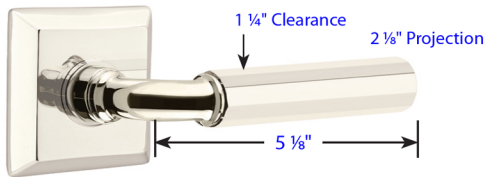
R-Bar . Knurled (RA.KN)
with Disk Rosette



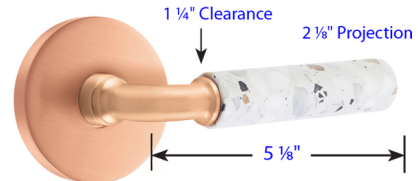
R-Bar . White Marble (RA.MRWH)
with Modern Rosette



R-Bar . Tribeca (RA.TR)
with Modern Rectangular Rosette



R-Bar . Faceted (RA.FA)
with Quincy Rosette



R-Bar . Terrazzo (RA.TZLT)
with Disk Rosette



R-Bar . Hammered (RA.HA)
with Neos Rosette

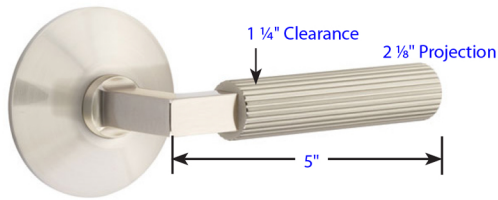
See page 7 for rosette specification.

Door Thickness Specifications

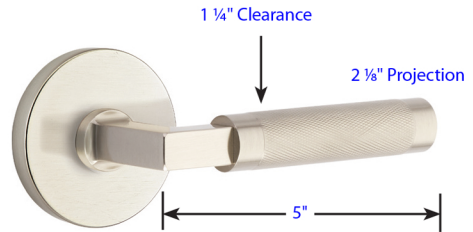
- Standard Door Thickness: 1 1/4" - 2"
- Standard Components:
- Privacy Pin (for privacy sets)
- Inside Passage Half Spindle
- 1 1/2" Rosette Screws
- Full-Lip Strike Plate

- **Extended** Door Thickness: 2" - 2 1/2"
- Extended Components:
- Privacy Pin w/ Extension (for privacy sets)
- Long Inside Passage Half Spindle
- 2" Rosette Screws
- Extended Full-Lip Strike Plate

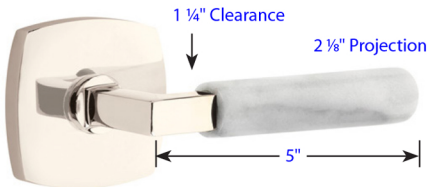
- **Extended** Door Thickness: 2 1/2" - 3"
- Extended Components:
- Privacy Pin w/ Extension (for privacy sets)
- Extra Long Inside Passage Half Spindle
- 2 1/2" Rosette Screws
- Extended Full-Lip Strike Plate



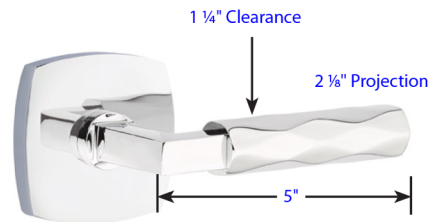
L-Square . Straight Knurled (LS.SK)
with Modern Rosette



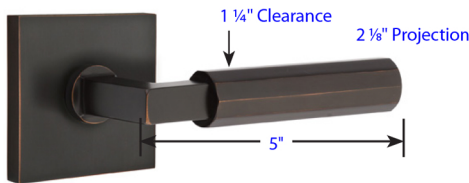
L-Square . Knurled (LS.KN)
with Disk Rosette



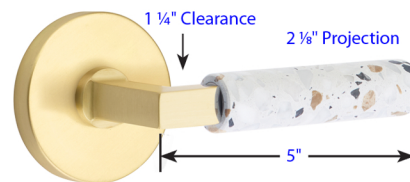
L-Square . White Marble (LS.MRWH)
with Urban Modern Rosette



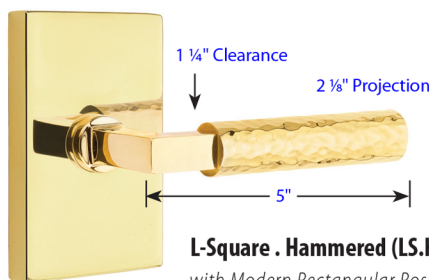
L-Square . Tribeca (LS.TR)
with Urban Modern Rosette



L-Square . Faceted (LS.FA)
with Square Rosette



L-Square . Terrazzo (LS.TZLT)
with Disk Rosette



L-Square . Hammered (LS.HA)
with Modern Rectangular Rosette

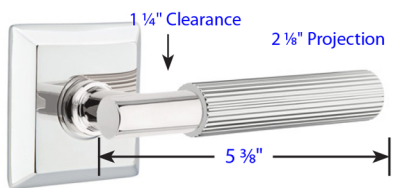
See page 7 for rosette specification.

Door Thickness Specifications

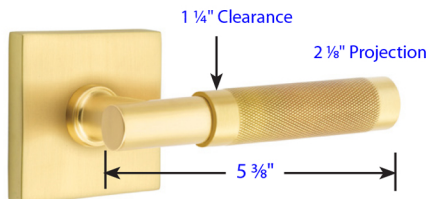
- Standard Door Thickness: 1 1/4" - 2"
- Standard Components:
 - Privacy Pin (for privacy sets)
 - Inside Passage Half Spindle
 - 1 1/2" Rosette Screws
 - Full-Lip Strike Plate

- **Extended** Door Thickness: 2" - 2 1/2"
- Extended Components:
 - Privacy Pin w/ Extension (for privacy sets)
 - Long Inside Passage Half Spindle
 - 2" Rosette Screws
 - Extended Full-Lip Strike Plate

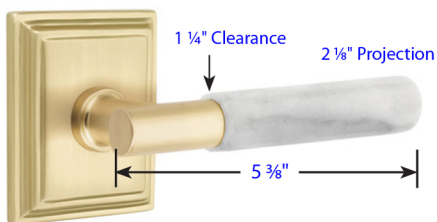
- **Extended** Door Thickness: 2 1/2" - 3"
- Extended Components:
 - Privacy Pin w/ Extension (for privacy sets)
 - Extra Long Inside Passage Half Spindle
 - 2 1/2" Rosette Screws
 - Extended Full-Lip Strike Plate



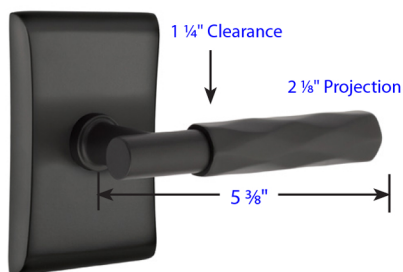
T-Bar . Straight Knurled (TA.SK)
with Quincy Rosette



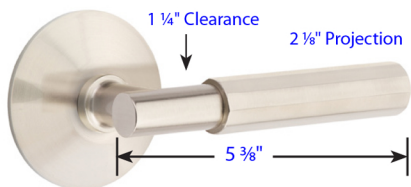
T-Bar . Knurled (TA.KN)
with Square Rosette



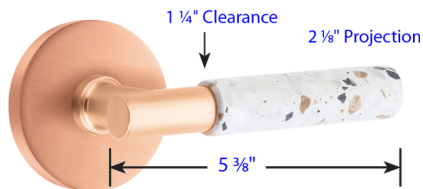
T-Bar . White Marble (TA.MRWH)
with Wilshire Rosette



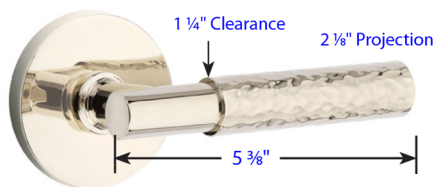
T-Bar . Tribeca (TA.TR)
with Neos Rosette



T-Bar . Faceted (TA.FA)
with Modern Rosette



T-Bar . Terrazzo (TA.TZLT)
with Disk Rosette



T-Bar . Hammered (TA.HA)
with Disk Rosette

See page 7 for rosette specification.

Door Thickness Specifications

- Standard Door Thickness: 1 1/4" - 2"
- Standard Components:
 - Privacy Pin (for privacy sets)
 - Inside Passage Half Spindle
 - 1 1/2" Rosette Screws
 - Full-Lip Strike Plate

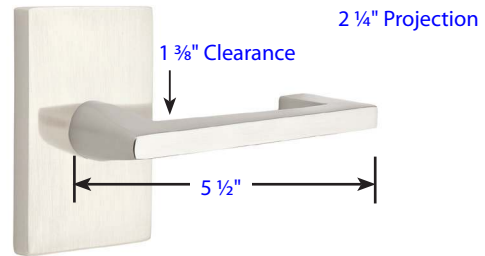
- **Extended** Door Thickness: 2" - 2 1/2"
- Extended Components:
 - Privacy Pin w/ Extension (for privacy sets)
 - Long Inside Passage Half Spindle
 - 2" Rosette Screws
 - Extended Full-Lip Strike Plate

- **Extended** Door Thickness: 2 1/2" - 3"
- Extended Components:
 - Privacy Pin w/ Extension (for privacy sets)
 - Extra Long Inside Passage Half Spindle
 - 2 1/2" Rosette Screws
 - Extended Full-Lip Strike Plate



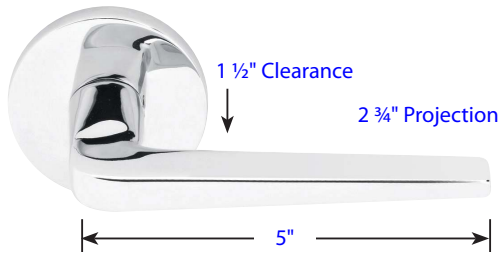
Aireon (A)

with Modern Rosette
DISCONTINUED



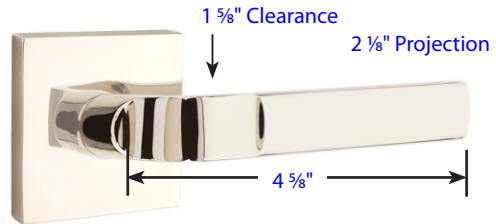
Argos (AG)

with Modern Rectangular Rosette



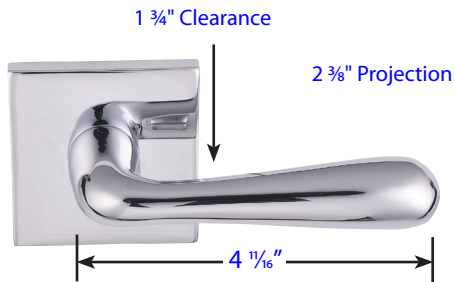
Athena (ATN)

with Disk Rosette



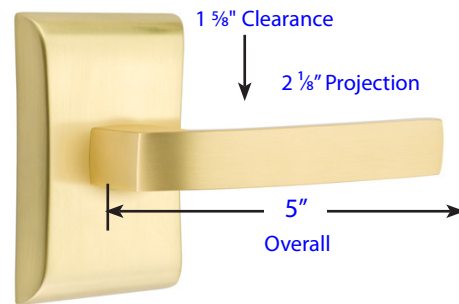
Aston (AST)

with Square Rosette



Basel (BA)

with Square Rosette



Breslin (BRL)

with Neos Rosette

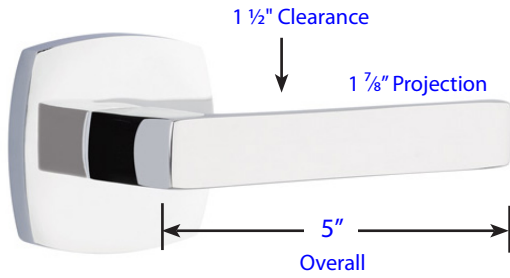
See page 7 for rosette specification.

Door Thickness Specifications

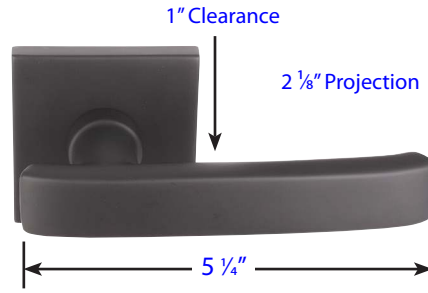
- Standard Door Thickness: 1 1/4" - 2"
- Standard Components:
- Privacy Pin (for privacy sets)
- Inside Passage Half Spindle
- 1 1/2" Rosette Screws
- Full-Lip Strike Plate

- **Extended** Door Thickness: 2" - 2 1/2"
- Extended Components:
- Privacy Pin w/ Extension (for privacy sets)
- Long Inside Passage Half Spindle
- 2" Rosette Screws
- Extended Full-Lip Strike Plate

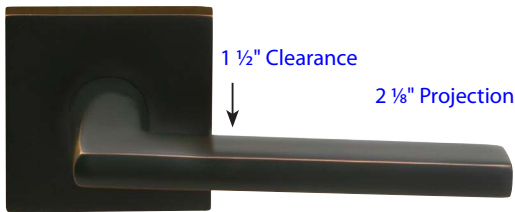
- **Extended** Door Thickness: 2 1/2" - 3"
- Extended Components:
- Privacy Pin w/ Extension (for privacy sets)
- Extra Long Inside Passage Half Spindle
- 2 1/2" Rosette Screws
- Extended Full-Lip Strike Plate



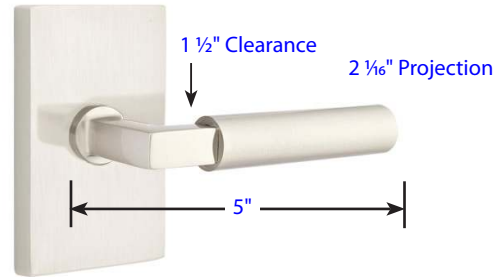
Dumont (DT)
with Urban Modern Rosette



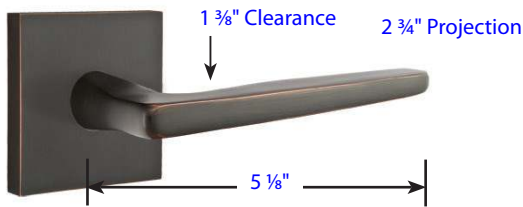
Geneva (GV)
with Square Rosette



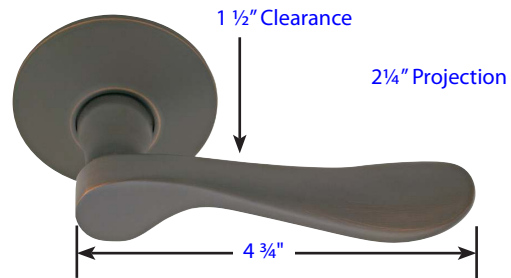
Helios (HLO)
with Square Rosette



Hercules (HEC)
with Modern Rectangular Rosette



Hermes (HER)
with Square Rosette



Luzern (LU)
with Modern Rosette

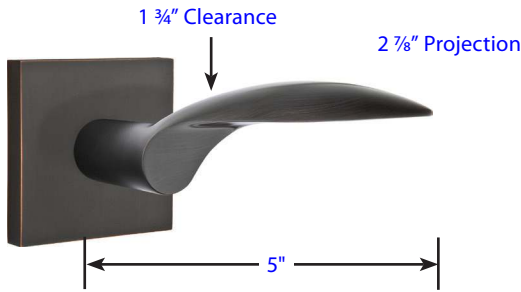
See page 7 for rosette specification.

Door Thickness Specifications

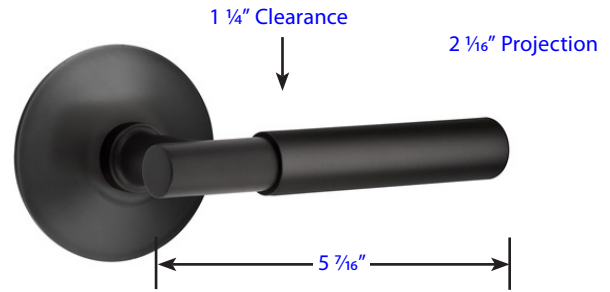
- Standard Door Thickness: 1 1/4" - 2"
- Standard Components:
- Privacy Pin (for privacy sets)
- Inside Passage Half Spindle
- 1 1/2" Rosette Screws
- Full-Lip Strike Plate

- **Extended** Door Thickness: 2" - 2 1/2"
- Extended Components:
- Privacy Pin w/ Extension (for privacy sets)
- Long Inside Passage Half Spindle
- 2" Rosette Screws
- Extended Full-Lip Strike Plate

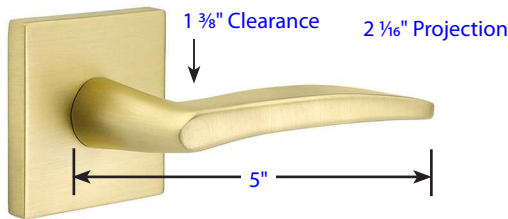
- **Extended** Door Thickness: 2 1/2" - 3"
- Extended Components:
- Privacy Pin w/ Extension (for privacy sets)
- Extra Long Inside Passage Half Spindle
- 2 1/2" Rosette Screws
- Extended Full-Lip Strike Plate



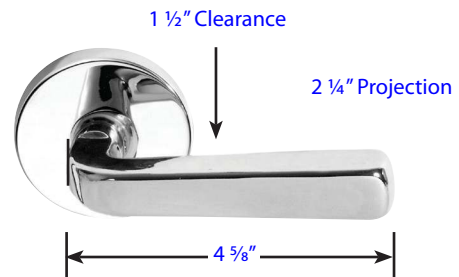
Mercury (MC)
with Square Rosette



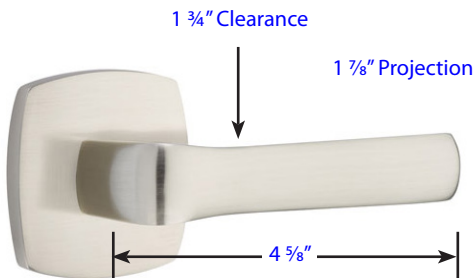
Myles (MYL)
with Modern Rosette



Poseidon (POS)
with Square Rosette



Sion (SIO)
with Disk Rosette



Spencer (SPN)
with Urban Modern Rosette



Stuttgart (STU)
with Disk Rosette

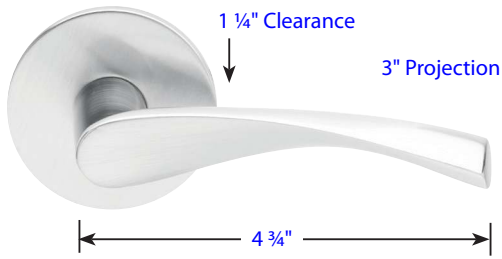
See page 7 for rosette specification.

Door Thickness Specifications

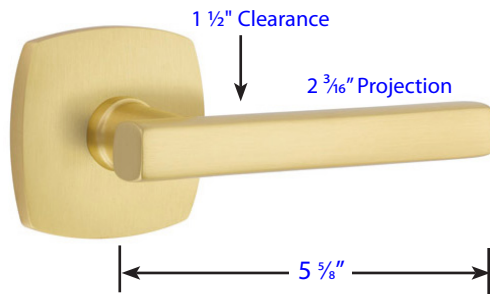
- Standard Door Thickness: 1 1/4" - 2"
- Standard Components:
- Privacy Pin (for privacy sets)
- Inside Passage Half Spindle
- 1 1/2" Rosette Screws
- Full-Lip Strike Plate

- **Extended** Door Thickness: 2" - 2 1/2"
- Extended Components:
- Privacy Pin w/ Extension (for privacy sets)
- Long Inside Passage Half Spindle
- 2" Rosette Screws
- Extended Full-Lip Strike Plate




- **Extended** Door Thickness: 2 1/2" - 3"
- Extended Components:
- Privacy Pin w/ Extension (for privacy sets)
- Extra Long Inside Passage Half Spindle
- 2 1/2" Rosette Screws
- Extended Full-Lip Strike Plate



Triton (TRT)
with Disk Rosette



Urban Modern Freestone (FRL)
with Urban Modern Rosette

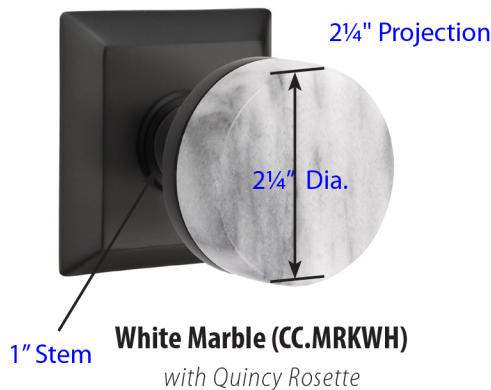
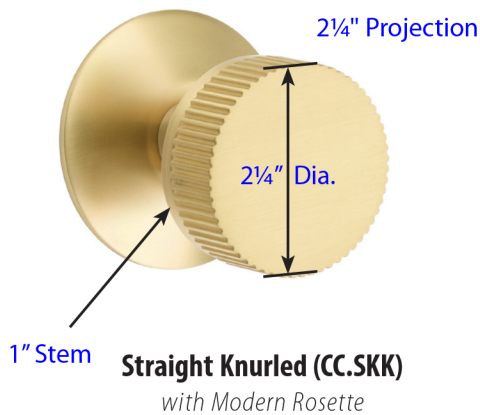
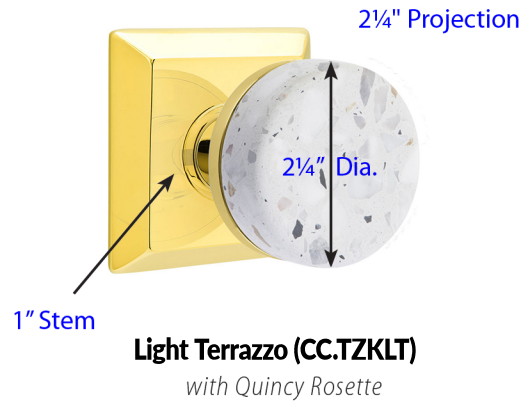
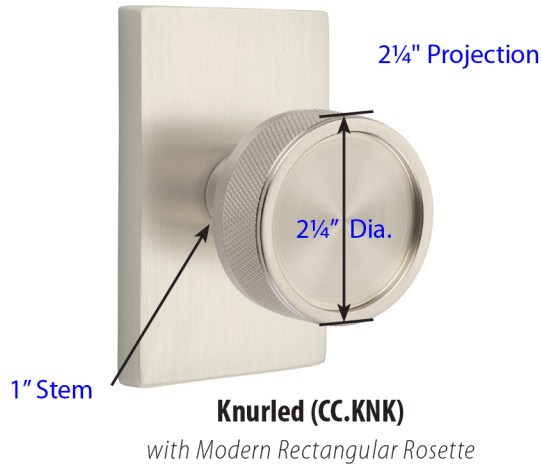
Rosettes	
$\frac{3}{8}$ " Thick	
Disk	
	2 1/2" Dia.
Modern Rectangular	
	2 1/2" x 4"
Square	
	2 1/2" x 2 1/2"
Urban Modern	
	2 1/2" x 2 1/2"
<hr/>	
$\frac{1}{2}$ " Thick	
Modern	
	2 3/4" Dia.
Neos	
	2 5/8" x 4"

Door Thickness Specifications

- Standard Door Thickness: 1 1/4" - 2"
- Standard Components:
- Privacy Pin (for privacy sets)
- Inside Passage Half Spindle
- 1 1/2" Rosette Screws
- Full-Lip Strike Plate

- **Extended** Door Thickness: 2" - 2 1/2"
- Extended Components:
- Privacy Pin w/ Extension (for privacy sets)
- Long Inside Passage Half Spindle
- 2" Rosette Screws
- Extended Full-Lip Strike Plate

- **Extended** Door Thickness: 2 1/2" - 3"
- Extended Components:
- Privacy Pin w/ Extension (for privacy sets)
- Extra Long Inside Passage Half Spindle
- 2 1/2" Rosette Screws
- Extended Full-Lip Strike Plate



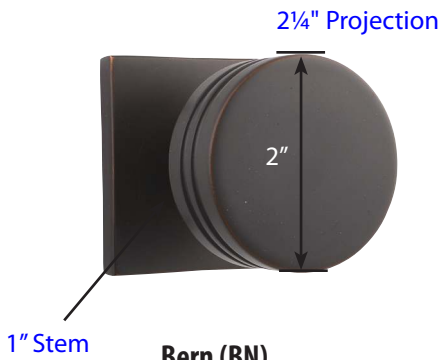
See page 7 for rosette specification.

Door Thickness Specifications

- Standard Door Thickness: 1 1/4" - 2"
- Standard Components:
 - Privacy Pin (for privacy sets)
 - Inside Passage Half Spindle
 - 1 1/2" Rosette Screws
 - Full-Lip Strike Plate

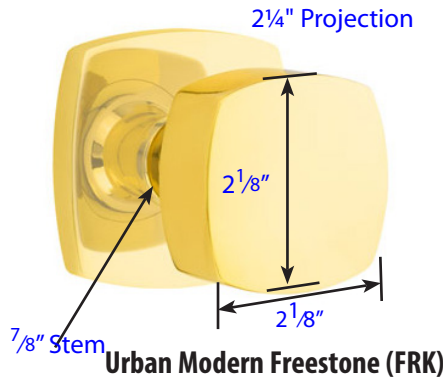
- **Extended** Door Thickness: 2" - 2 1/2"
- Extended Components:
 - Privacy Pin w/ Extension (for privacy sets)
 - Long Inside Passage Half Spindle
 - 2" Rosette Screws
 - Extended Full-Lip Strike Plate

- **Extended** Door Thickness: 2 1/2" - 3"
- Extended Components:
 - Privacy Pin w/ Extension (for privacy sets)
 - Extra Long Inside Passage Half Spindle
 - 2 1/2" Rosette Screws
 - Extended Full-Lip Strike Plate



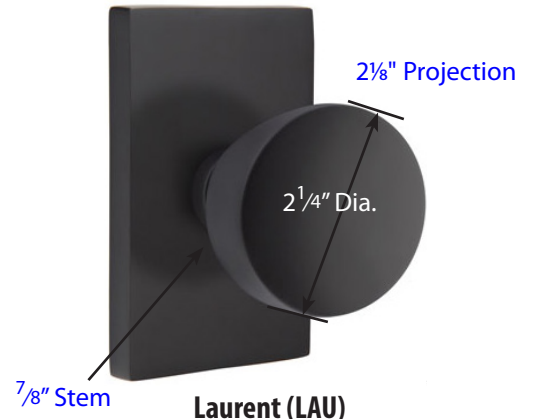
Bern (BN)

with Square Rosette



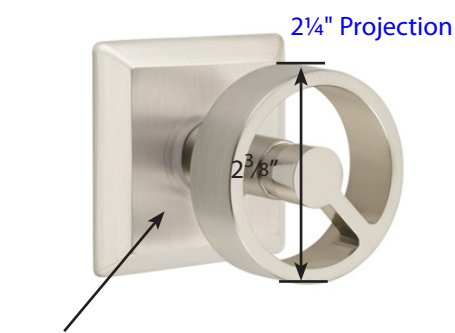
Urban Modern Freestone (FRK)

with Urban Modern Rosette



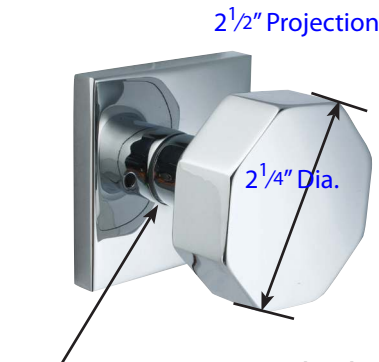
Laurent (LAU)

with Modern Rectangular Rosette



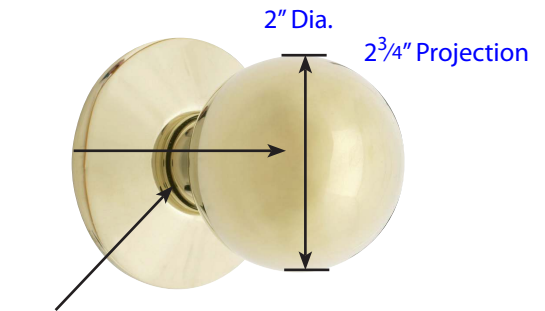
Spoke (SPK)

with Quincy Rosette



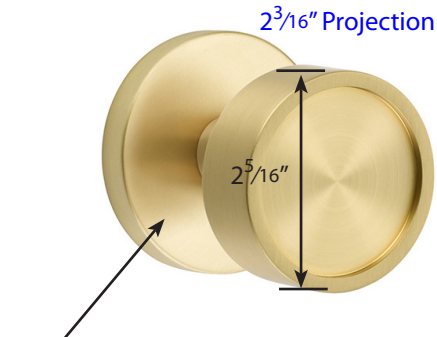
Octagon (OCT)

with Square Rosette



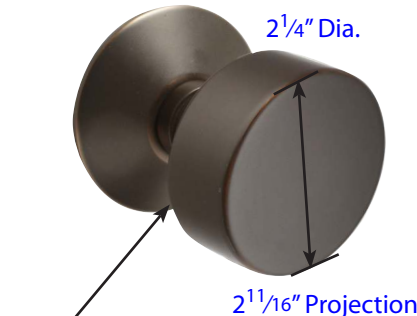
Orb (OR)

with Modern Rosette



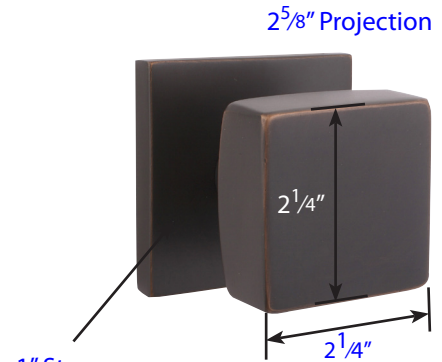
Verve (VR)

with Disk Rosette



Round (ROU)

with Modern Rosette



Square (SQU)

with Square Rosette

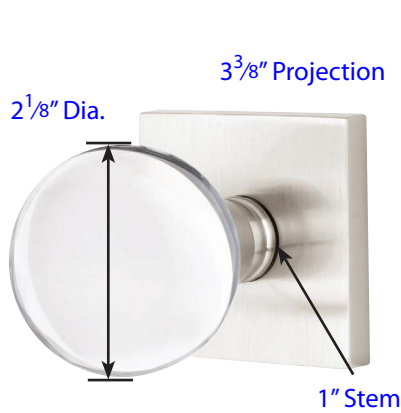
See page 7 for rosette specification.

Door Thickness Specifications

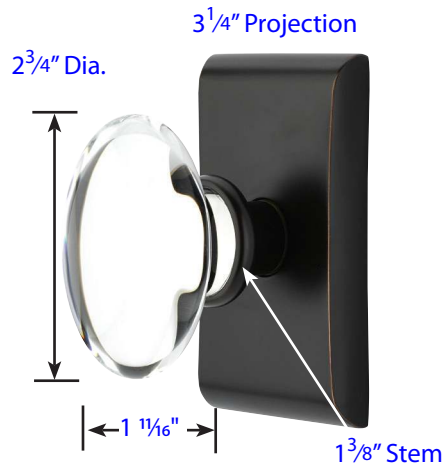
- Standard Door Thickness: 1 1/4" - 2"
- Standard Components:
 - Privacy Pin (for privacy sets)
 - Inside Passage Half Spindle
 - 1 1/2" Rosette Screws
 - Full-Lip Strike Plate

- **Extended** Door Thickness: 2" - 2 1/2"
- Extended Components:
 - Privacy Pin w/ Extension (for privacy sets)
 - Long Inside Passage Half Spindle
 - 2" Rosette Screws
 - Extended Full-Lip Strike Plate

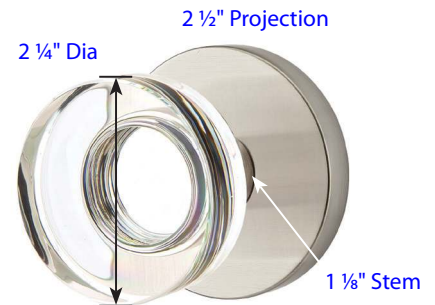
- **Extended** Door Thickness: 2 1/2" - 3"
- Extended Components:
 - Privacy Pin w/ Extension (for privacy sets)
 - Extra Long Inside Passage Half Spindle
 - 2 1/2" Rosette Screws
 - Extended Full-Lip Strike Plate



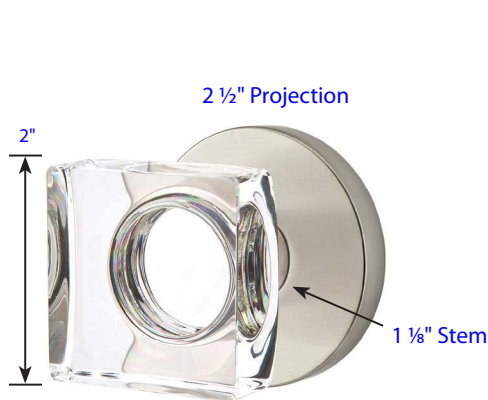
Bristol - Modern (BL)
with Square Rosette



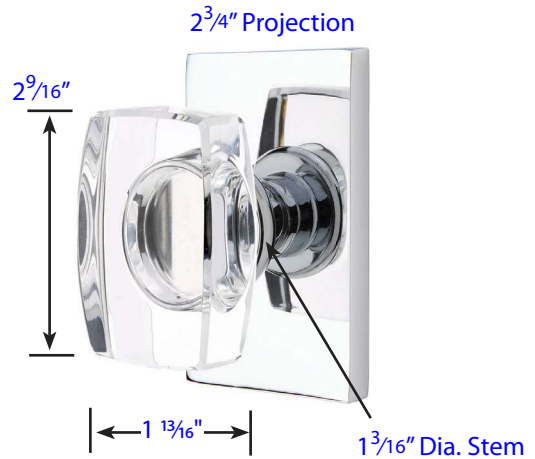
Hampton - Modern (HT)
with Neos Rosette



Modern Disc Crystal (MDC)
with Disk Rosette



Modern Square Crystal (MSC)
with Disk Rosette



Windsor - Modern (WS)
with Modern Rectangular Rosette

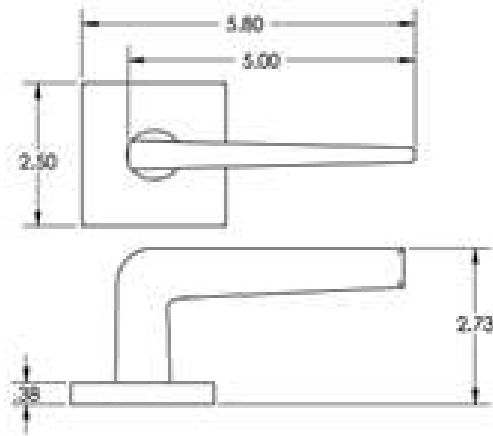
See page 7 rosette specification.

Door Thickness Specifications

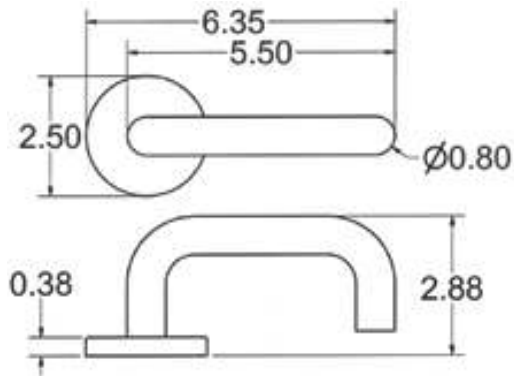
- Standard Door Thickness: 1 1/4" - 2"
- Standard Components:
 - Privacy Pin (for privacy sets)
 - Inside Passage Half Spindle
 - 1-1/2" Rosette Screws
 - Full-Lip Strike Plate

- **Extended** Door Thickness: 2" - 2 1/2"
- Extended Components:
 - Privacy Pin w/ Extension (for privacy sets)
 - Long Inside Passage Half Spindle
 - 2" Rosette Screws
 - Extended Full-Lip Strike Plate

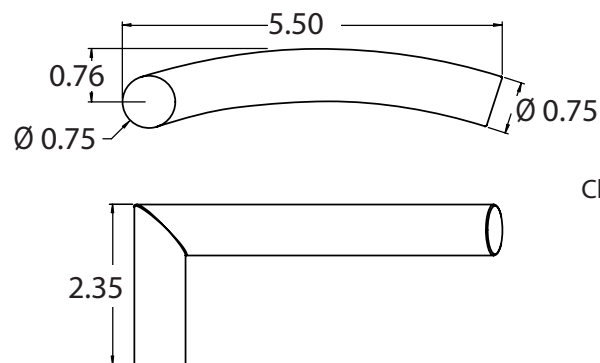
- **Extended** Door Thickness: 2 1/2" - 3"
- Extended Components:
 - Privacy Pin w/ Extension (for privacy sets)
 - Extra Long Inside Passage Half Spindle
 - 2-1/2" Rosette Screws
 - Extended Full-Lip Strike Plate



Clearance 1 1/2"



Clearance 1 5/8"



Clearance 1 1/16"

See page 15 for rosette specification.

Door Thickness Specifications

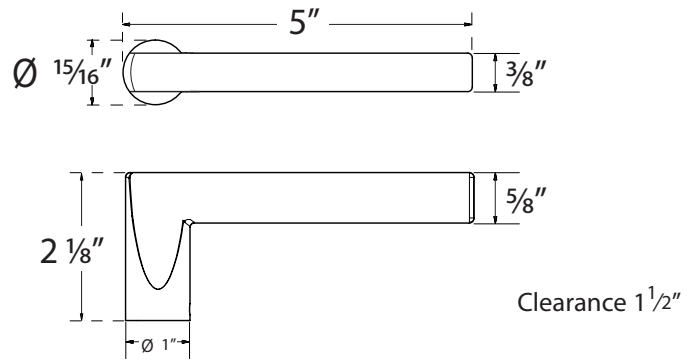
- Standard Door Thickness: 1 3/8" - 2"
- Standard Components:
 - Privacy Pin (for privacy sets)
 - Inside Passage Half Spindle
 - 1 1/2" Socket Head Machine Screws
 - Full-Lip Strike Plate

- **Extended** Door Thickness: 2" - 2 1/2"
- Extended Components:
 - Privacy Pin w/ Extension (for privacy sets)
 - Long Inside Passage Half Spindle
 - 2" Socket Head Machine Screws
 - Extended Full-Lip Strike Plate

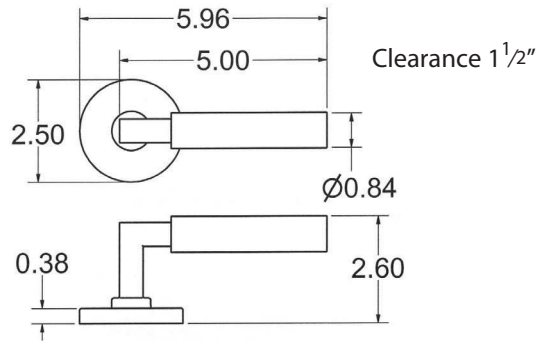
- **Extended** Door Thickness: 2 1/2" - 2 3/4"
- Extended Components:
 - Privacy Pin w/ Extension (for privacy sets)
 - Long Inside Passage Half Spindle
 - 2 1/2" Socket Head Machine Screws
 - Extended Full-Lip Strike Plate



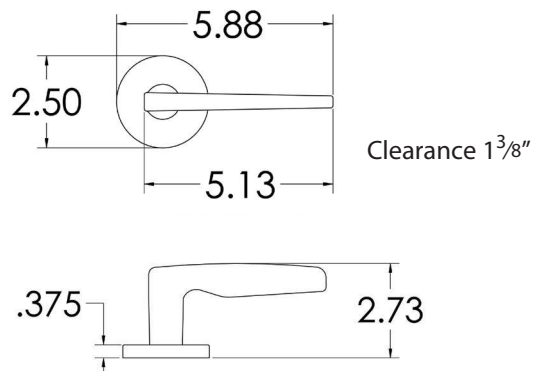
Helios (HL)
with Square Rosette



Hercules (HS)
with Square Rosette



Hermes (HES)
with Disk Rosette



See page 15 for rosette specification.

Door Thickness Specifications

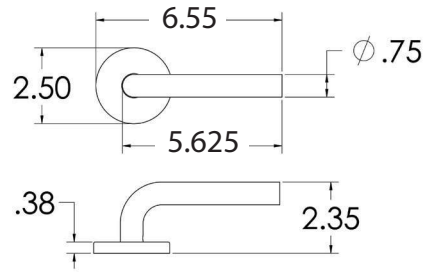
- Standard Door Thickness: 1³/₈"- 2"
- Standard Components:
 - Privacy Pin (for privacy sets)
 - Inside Passage Half Spindle
 - 1¹/₂" Socket Head Machine Screws
 - Full-Lip Strike Plate

- **Extended** Door Thickness: 2"- 2¹/₂"
- Extended Components:
 - Privacy Pin w/ Extension (for privacy sets)
 - Long Inside Passage Half Spindle
 - 2" Socket Head Machine Screws
 - Extended Full-Lip Strike Plate

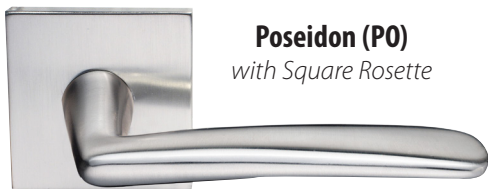
- **Extended** Door Thickness: 2¹/₂"- 2³/₄"
- Extended Components:
 - Privacy Pin w/ Extension (for privacy sets)
 - Long Inside Passage Half Spindle
 - 2¹/₂" Socket Head Machine Screws
 - Extended Full-Lip Strike Plate



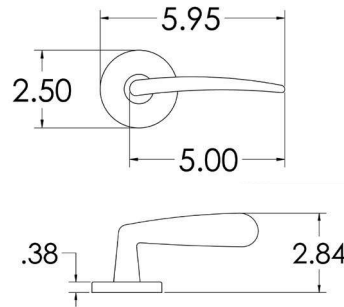
Kiel (KL)
with Square Rosette



Clearance: 1¼"



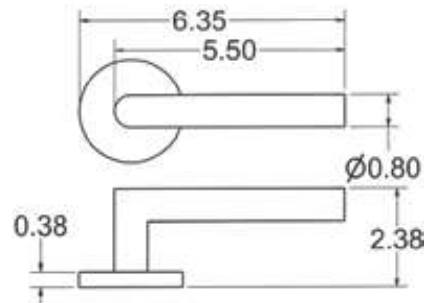
Poseidon (PO)
with Square Rosette



Clearance: 1⅜"



Stuttgart (STT)
with Disk Rosette



Clearance: 1¼"

See page 15 for rosette specification.

Door Thickness Specifications

- Standard Door Thickness: 1³/₈" - 2"
- Standard Components:
 - Privacy Pin (for privacy sets)
 - Inside Passage Half Spindle
 - 1¹/₂" Socket Head Machine Screws
 - Full-Lip Strike Plate

- **Extended** Door Thickness: 2" - 2¹/₂"
- Extended Components:
 - Privacy Pin w/ Extension (for privacy sets)
 - Long Inside Passage Half Spindle
 - 2" Socket Head Machine Screws
 - Extended Full-Lip Strike Plate

- **Extended** Door Thickness: 2¹/₂" - 2³/₄"
- Extended Components:
 - Privacy Pin w/ Extension (for privacy sets)
 - Long Inside Passage Half Spindle
 - 2¹/₂" Socket Head Machine Screws
 - Extended Full-Lip Strike Plate

Functions:

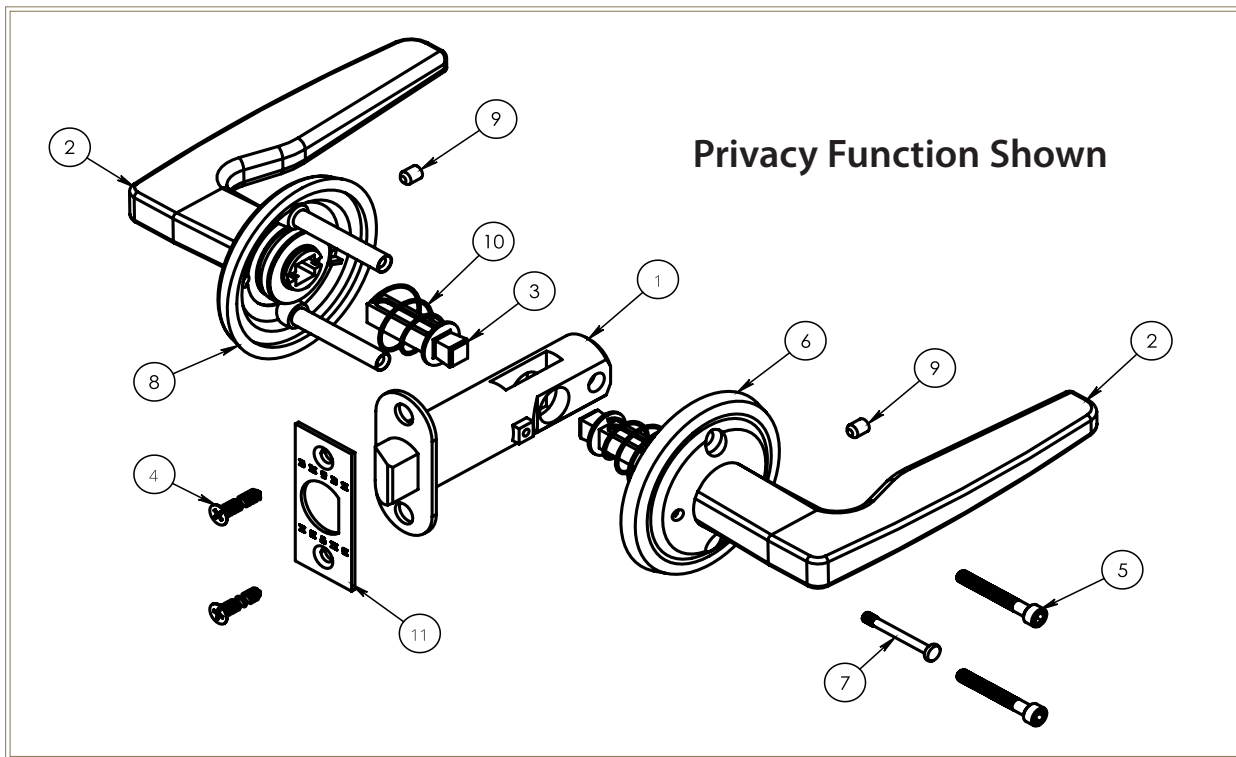
Passage: Lever operates from either side of door.

Privacy: Push button on the interior engages privacy. Turning the inside lever releases privacy and retracts latchbolt.

Dummy Pair: Surface mounted on threaded spindle. Requires no door prep.

Door Prep Specifications:

- Fits standard door prep--2 1/8" face bore & 1" edge bore.
- Fits a range of door thickness from 1 3/8" to 2". Thicker doors--please specify.



Latches:

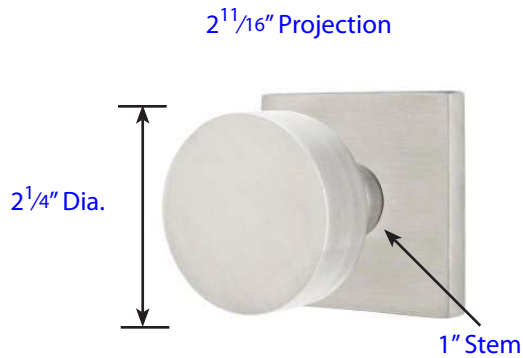
- 28° retraction
- 7mm hub
- Split spindles
- 2 3/8" backset standard
- 2 3/4" backset available--please specify
- Stainless steel nosebolt

Strike & Face Plates:

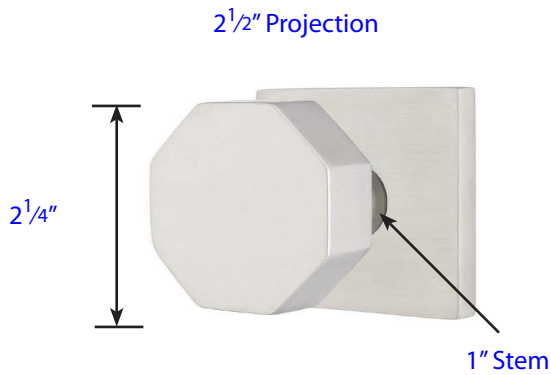
- Strike Plate--1 1/2"W x 2 1/4"H
- Face Plate--1"W x 2 1/4"H
- Full Lip strike is standard
- "T" strike optional--please specify
- Strike & faceplates are square cornered

Legend

- 1) Latch (Passage/Privacy)
- 2) Lever Handles
- 3) Spindles
- 4) Face Plate Wood Screws
- 5) Socket Hex Head Machine Screws
- 6) Inside Rosette
- 7) Privacy Pin (for Privacy Sets)
- 8) Outside Rosette
- 9) Set Screws
- 10) Spindle Spring
- 11) Latch Face Plate



Round (RNK)
with Square Rosette



Octagon (OK)
with Square Rosette

Rosettes
3/8" Thick
Beveled DISCONTINUED

2 7/16" Dia.
Disk

2 1/2" Dia.
Square

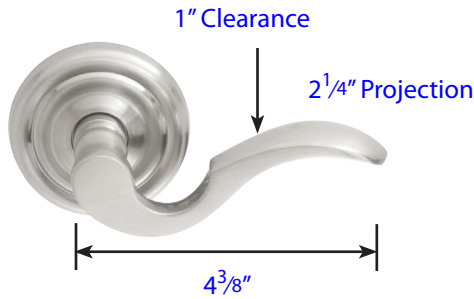
2 1/2" x 2 1/2"

Door Thickness Specifications

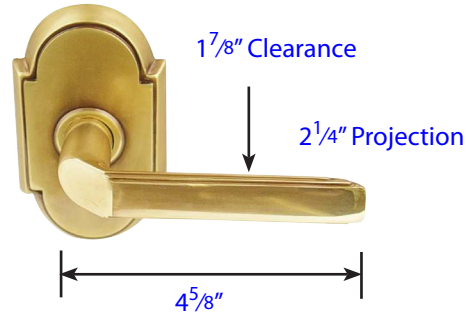
- Standard Door Thickness: 1 3/8" - 2"
- Standard Components:
 - Privacy Pin (for privacy sets)
 - Inside Passage Half Spindle
 - 1 1/2" Socket Head Machine Screws
 - Full-Lip Strike Plate

- **Extended** Door Thickness: 2" - 2 1/2"
- Extended Components:
 - Privacy Pin w/ Extension (for privacy sets)
 - Long Inside Passage Half Spindle
 - 2" Socket Head Machine Screws
 - Extended Full-Lip Strike Plate

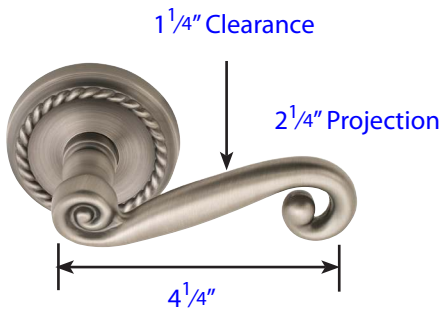
- **Extended** Door Thickness: 2 1/2" - 2 3/4"
- Extended Components:
 - Privacy Pin w/ Extension (for privacy sets)
 - Long Inside Passage Half Spindle
 - 2 1/2" Socket Head Machine Screws
 - Extended Full-Lip Strike Plate



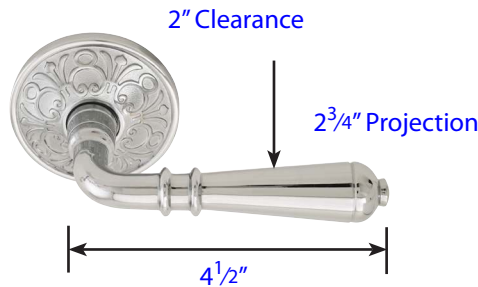
Cortina (C)
with Regular Rosette



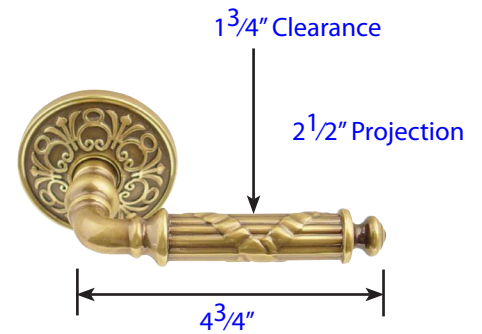
Milano (M)
with #8 Rosette



Rustic (R)
with Rope Rosette



Turino (T)
with Lancaster Rosette



Ribbon & Reed (RBL)
with Lancaster Rosette

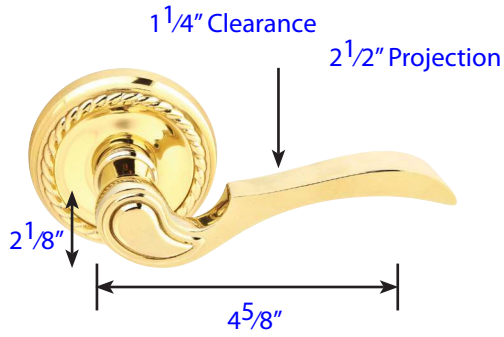
See page 18 for rosette specification.

Door Thickness Specifications

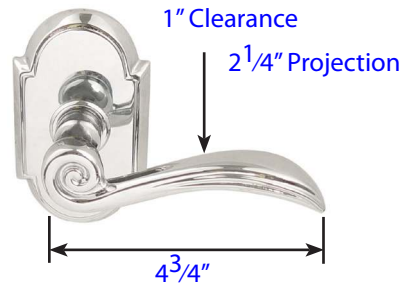
- Standard Door Thickness: 1 1/4" - 2"
- Standard Components:
- Privacy Pin (for privacy sets)
- Inside Passage Half Spindle
- 1 1/2" Rosette Screws
- Full-Lip Strike Plate

- **Extended** Door Thickness: 2" - 2 1/2"
- Extended Components:
- Privacy Pin w/ Extension (for privacy sets)
- Long Inside Passage Half Spindle
- 2" Rosette Screws
- Extended Full-Lip Strike Plate

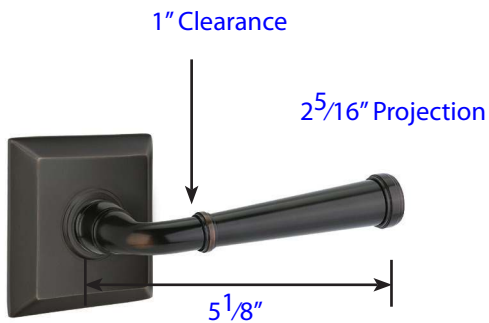
- **Extended** Door Thickness: 2 1/2" - 3"
- Extended Components:
- Privacy Pin w/ Extension (for privacy sets)
- Extra Long Inside Passage Half Spindle
- 2 1/2" Rosette Screws
- Extended Full-Lip Strike Plate



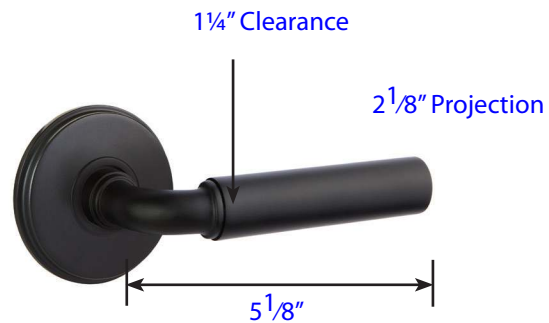
Coventry (CV)
with Rope Rosette



Elan (EN)
with #8 Rosette



Merrimack (ME)
with Quincy Rosette



Manning (MNG)
with Watford Rosette

See page 18 for rosette specification.

Door Thickness Specifications

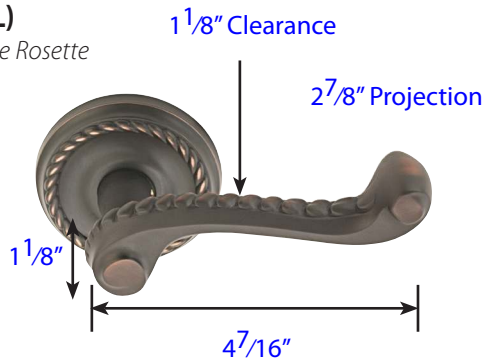
- Standard Door Thickness: 1 1/4" - 2"
- Standard Components:
- Privacy Pin (for privacy sets)
- Inside Passage Half Spindle
- 1 1/2" Rosette Screws
- Full-Lip Strike Plate

- **Extended** Door Thickness: 2" - 2 1/2"
- Extended Components:
- Privacy Pin w/ Extension (for privacy sets)
- Long Inside Passage Half Spindle
- 2" Rosette Screws
- Extended Full-Lip Strike Plate

- **Extended** Door Thickness: 2 1/2" - 3"
- Extended Components:
- Privacy Pin w/ Extension (for privacy sets)
- Extra Long Inside Passage Half Spindle
- 2 1/2" Rosette Screws
- Extended Full-Lip Strike Plate

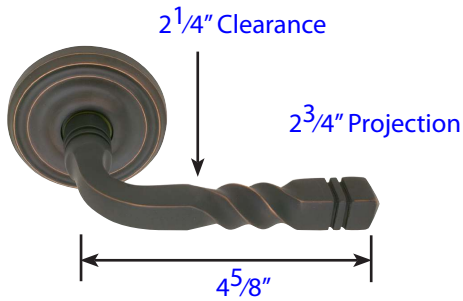
Rope (RL)

with Rope Rosette



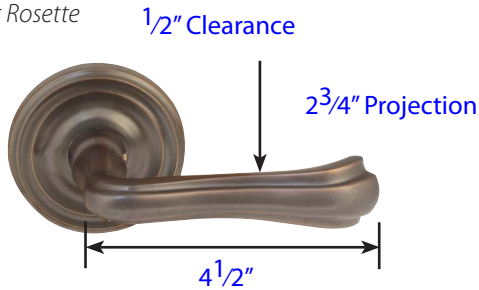
Santa Fe (SF)

with Regular Rosette



Wembley (WM)

with Regular Rosette



Rosettes

3/8" Thick

Regular



2 3/4" Dia.

Rope



2 3/4" Dia.

Rectangular



4 3/8" x 2 9/16"

Quincy



2 1/2" x 2 1/2"

Lancaster



2 3/4" Dia.

Ribbon & Reed



2 3/4" Dia.

#8



4 3/8" x 2 9/16"

Watford



2 3/4" Dia.

7/16" Thick

Oval



4 1/2" x 2 1/2"

Wilshire



3" x 2 1/2"

Hammered



2 3/4" x 2 3/4"

Porcelain



2 1/2" x 2 1/2"

1/2" Thick

Arts & Crafts
Rectangular



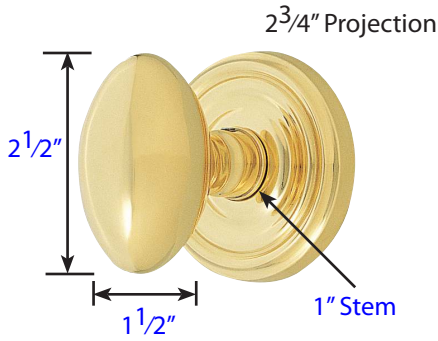
4" x 2 1/2"

Door Thickness Specifications

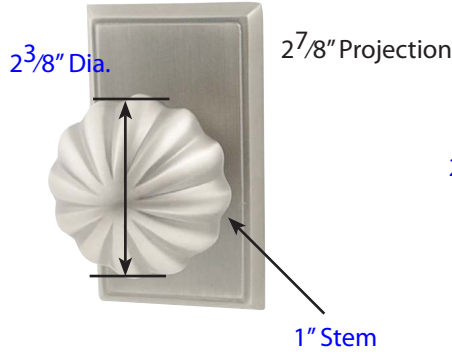
- Standard Door Thickness: 1 1/4" - 2"
- Standard Components:
- Privacy Pin (for privacy sets)
- Inside Passage Half Spindle
- 1 1/2" Rosette Screws
- Full-Lip Strike Plate

- **Extended** Door Thickness: 2" - 2 1/2"
- Extended Components:
- Privacy Pin w/ Extension (for privacy sets)
- Long Inside Passage Half Spindle
- 2" Rosette Screws
- Extended Full-Lip Strike Plate

- **Extended** Door Thickness: 2 1/2" - 3"
- Extended Components:
- Privacy Pin w/ Extension (for privacy sets)
- Extra Long Inside Passage Half Spindle
- 2 1/2" Rosette Screws
- Extended Full-Lip Strike Plate



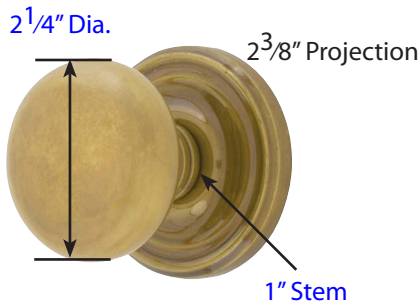
Egg (E)
with Regular Rosette



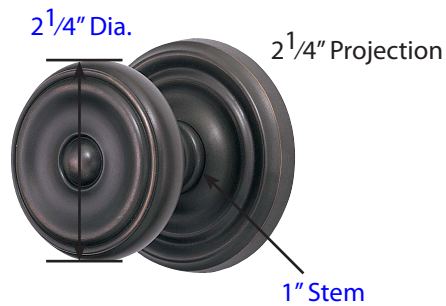
Melon (MN)
with Rectangular Rosette



Norwich (NW)
with #8 Rosette



Providence (P)
with Regular Rosette



Waverly (W)
with Regular Rosette

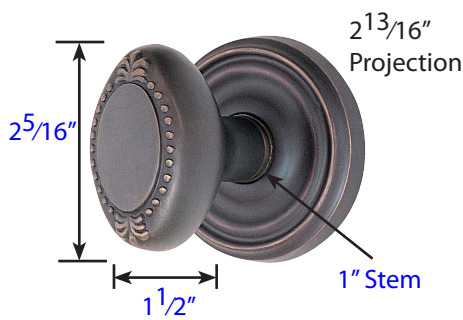
See page 18 for rosette specification.

Door Thickness Specifications

- Standard Door Thickness: 1 1/4" - 2"
- Standard Components:
 - Privacy Pin (for privacy sets)
 - Inside Passage Half Spindle
 - 1 1/2" Rosette Screws
 - Full-Lip Strike Plate

- **Extended** Door Thickness: 2" - 2 1/2"
- Extended Components:
 - Privacy Pin w/ Extension (for privacy sets)
 - Long Inside Passage Half Spindle
 - 2" Rosette Screws
 - Extended Full-Lip Strike Plate

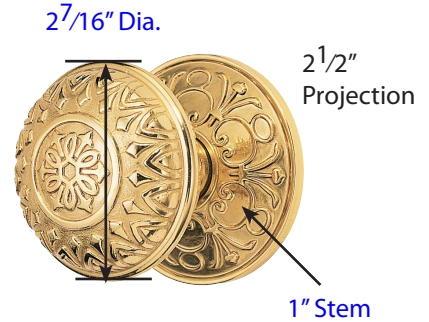
- **Extended** Door Thickness: 2 1/2" - 3"
- Extended Components:
 - Privacy Pin w/ Extension (for privacy sets)
 - Extra Long Inside Passage Half Spindle
 - 2 1/2" Rosette Screws
 - Extended Full-Lip Strike Plate



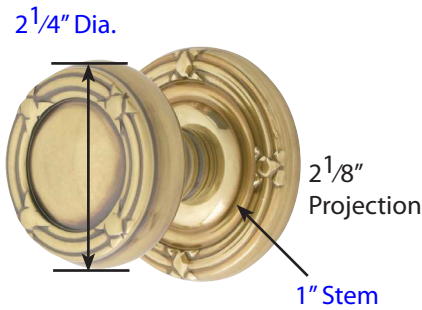
Beaded Egg (BE)
with Regular Rosette



Belmont (BT)
with Lancaster Rosette



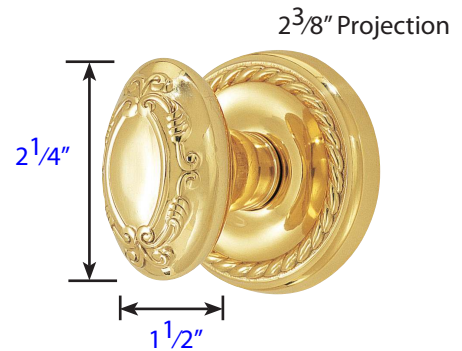
Lancaster (LN)
with Lancaster Rosette



Ribbon & Reed (RBK)
with Ribbon & Reed Rosette



Rope (RK)
with Rope Rosette



Victoria (V)
with Rope Rosette

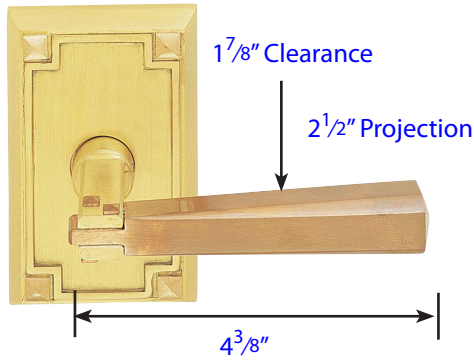
See page 18 for rosette specification.

Door Thickness Specifications

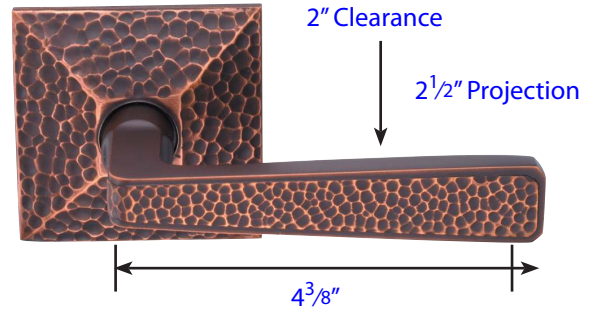
- Standard Door Thickness: 1 1/4" - 2"
- Standard Components:
- Privacy Pin (for privacy sets)
- Inside Passage Half Spindle
- 1 1/2" Rosette Screws
- Full-Lip Strike Plate

- **Extended** Door Thickness: 2" - 2 1/2"
- Extended Components:
- Privacy Pin w/ Extension (for privacy sets)
- Long Inside Passage Half Spindle
- 2" Rosette Screws
- Extended Full-Lip Strike Plate

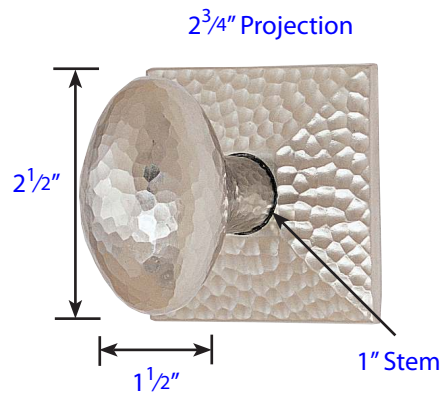
- **Extended** Door Thickness: 2 1/2" - 3"
- Extended Components:
- Privacy Pin w/ Extension (for privacy sets)
- Extra Long Inside Passage Half Spindle
- 2 1/2" Rosette Screws
- Extended Full-Lip Strike Plate



Arts & Crafts (AC)
with Arts & Crafts
Rectangular Rosette



Hammered (HM)
with Hammered Rosette



Hammered Egg (HE)
with Hammered Rosette

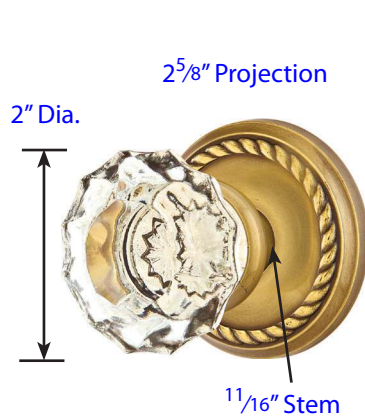
See page 18 for rosette specification.

Door Thickness Specifications

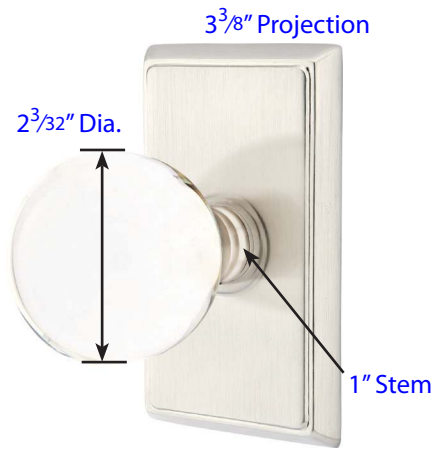
- Standard Door Thickness: 1 1/4" - 2"
- Standard Components:
- Privacy Pin (for privacy sets)
- Inside Passage Half Spindle
- 1 1/2" Rosette Screws
- Full-Lip Strike Plate

- **Extended** Door Thickness: 2" - 2 1/2"
- Extended Components:
- Privacy Pin w/ Extension (for privacy sets)
- Long Inside Passage Half Spindle
- 2" Rosette Screws
- Extended Full-Lip Strike Plate

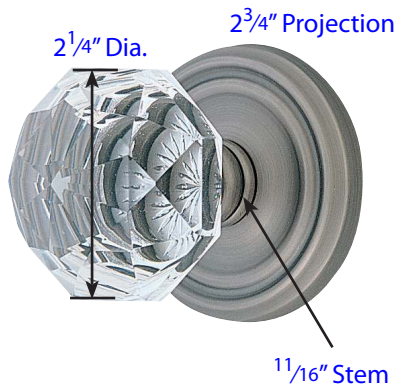
- **Extended** Door Thickness: 2 1/2" - 3"
- Extended Components:
- Privacy Pin w/ Extension (for privacy sets)
- Extra Long Inside Passage Half Spindle
- 2 1/2" Rosette Screws
- Extended Full-Lip Strike Plate



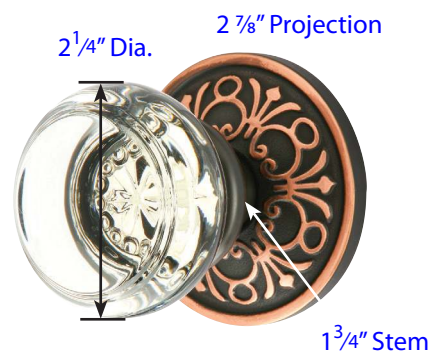
Astoria Clear (AS)
with Rope Rosette



Bristol (BL)
with Rectangular Rosette



Diamond (CK)
with Regular Rosette



Georgetown (GT)
with Lancaster Rosette

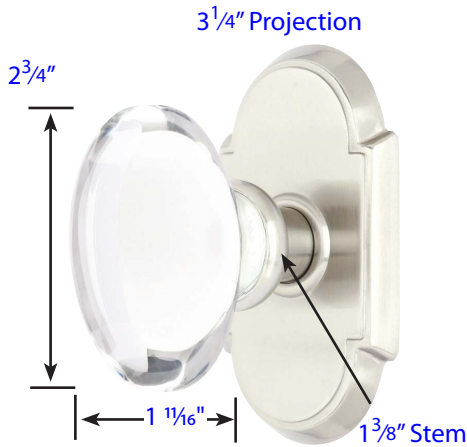
See page 18 for rosette specification.

Door Thickness Specifications

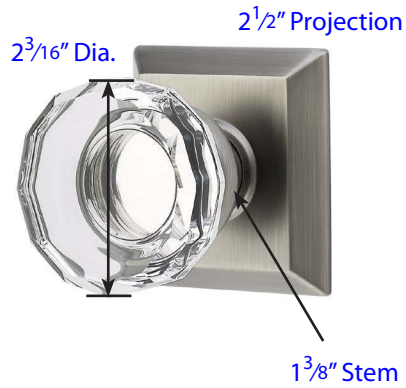
- Standard Door Thickness: 1 1/4" - 2"
- Standard Components:
- Privacy Pin (for privacy sets)
- Inside Passage Half Spindle
- 1 1/2" Rosette Screws
- Full-Lip Strike Plate

- **Extended** Door Thickness: 2" - 2 1/2"
- Extended Components:
- Privacy Pin w/ Extension (for privacy sets)
- Long Inside Passage Half Spindle
- 2" Rosette Screws
- Extended Full-Lip Strike Plate

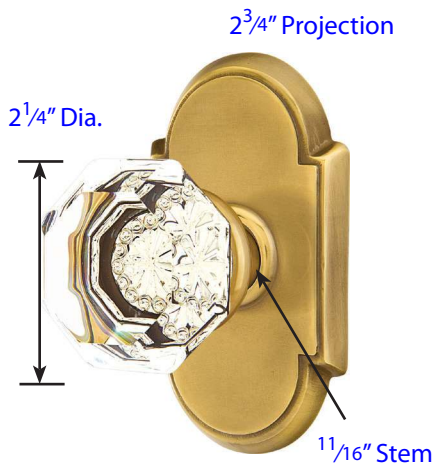
- **Extended** Door Thickness: 2 1/2" - 3"
- Extended Components:
- Privacy Pin w/ Extension (for privacy sets)
- Extra Long Inside Passage Half Spindle
- 2 1/2" Rosette Screws
- Extended Full-Lip Strike Plate



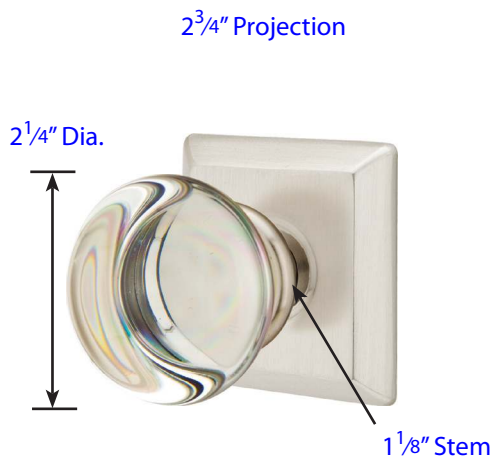
Hampton (HT)
with #8 Rosette



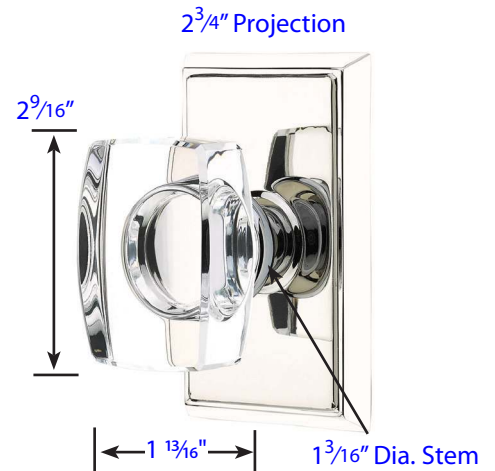
Lowell Crystal (LW)
with Quincy Rosette



Old Town - Clear (OT)
with #8 Rosette



Providence Crystal (PC)
with Quincy Rosette



Windsor (WS)
with Rectangular Rosette

See page 18 for rosette specification.

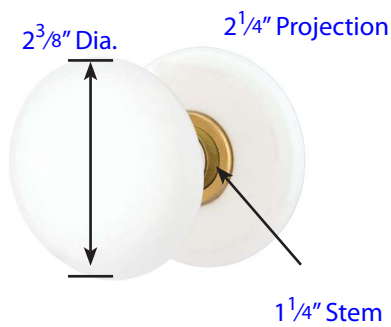
Door Thickness Specifications

- Standard Door Thickness: 1 1/4" - 2"
- Standard Components:
 - Privacy Pin (for privacy sets)
 - Inside Passage Half Spindle
 - 1 1/2" Rosette Screws
 - Full-Lip Strike Plate

- **Extended** Door Thickness: 2" - 2 1/2"
- Extended Components:
 - Privacy Pin w/ Extension (for privacy sets)
 - Long Inside Passage Half Spindle
 - 2" Rosette Screws
 - Extended Full-Lip Strike Plate

- **Extended** Door Thickness: 2 1/2" - 3"
- Extended Components:
 - Privacy Pin w/ Extension (for privacy sets)
 - Extra Long Inside Passage Half Spindle
 - 2 1/2" Rosette Screws
 - Extended Full-Lip Strike Plate

PORCELAIN KNOBSETS WITH PORCELAIN ROSETTES

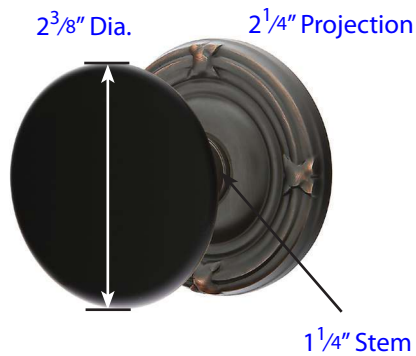


Ice White (IW)
with Porcelain Rosette



Ebony (EB)
with Porcelain Rosette

PORCELAIN KNOBSETS WITH BRASS ROSETTES



Ebony (EB)
with Ribbon & Reed Rosette



Ice White (IW)
with Regular Rosette

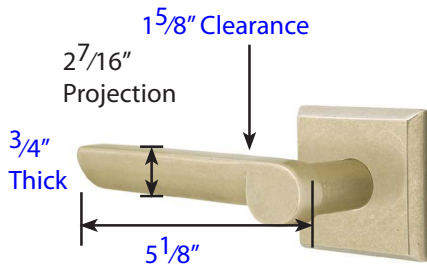
See page 18 for rosette specification.

Door Thickness Specifications

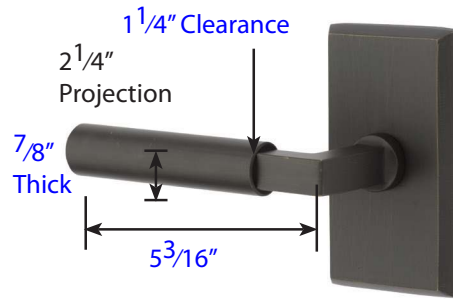
- Standard Door Thickness: 1 1/4" - 2"
- Standard Components:
 - Privacy Pin (for privacy sets)
 - Inside Passage Half Spindle
 - 1 1/2" Rosette Screws
 - Full-Lip Strike Plate

- **Extended** Door Thickness: 2" - 2 1/2"
- Extended Components:
 - Privacy Pin w/ Extension (for privacy sets)
 - Long Inside Passage Half Spindle
 - 2" Rosette Screws
 - Extended Full-Lip Strike Plate

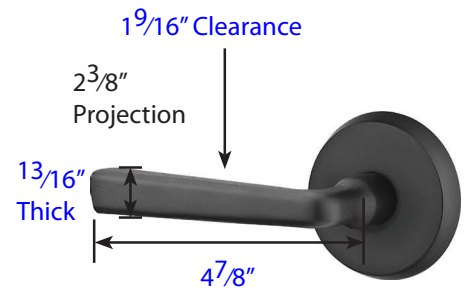
- **Extended** Door Thickness: 2 1/2" - 3"
- Extended Components:
 - Privacy Pin w/ Extension (for privacy sets)
 - Extra Long Inside Passage Half Spindle
 - 2 1/2" Rosette Screws
 - Extended Full-Lip Strike Plate



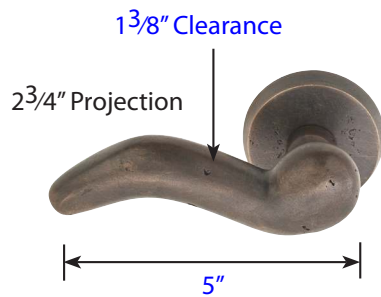
Aurora (AR)
with #6 Rosette



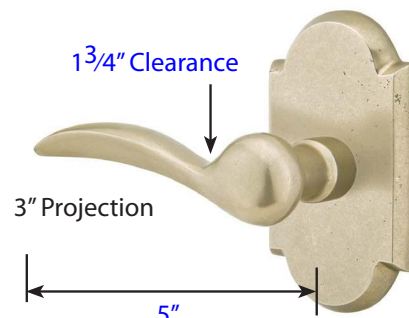
Bryce (BR)
with #3 Rosette



Cimarron (CR)
with #2 Rosette



Cody (CD)
with #2 Rosette



Durango (D)
with #1 Rosette

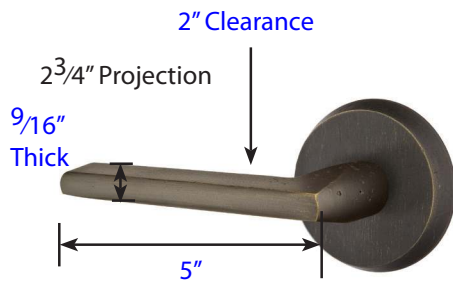
See page 27 for rosette specification.

Door Thickness Specifications

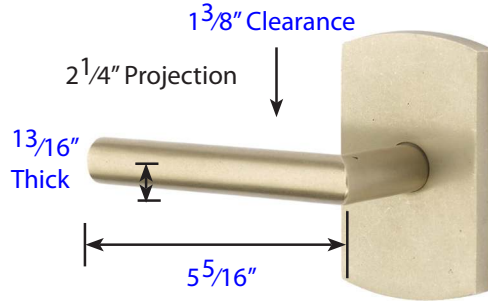
- Standard Door Thickness: 1 1/4" - 2"
- Standard Components:
 - Privacy Pin (for privacy sets)
 - Inside Passage Half Spindle
 - 1 1/2" Rosette Screws
 - Full-Lip Strike Plate

- **Extended** Door Thickness: 2" - 2 1/2"
- Extended Components:
 - Privacy Pin w/ Extension (for privacy sets)
 - Long Inside Passage Half Spindle
 - 2" Rosette Screws
 - Extended Full-Lip Strike Plate

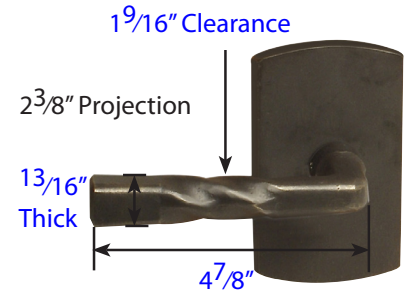
- **Extended** Door Thickness: 2 1/2" - 3"
- Extended Components:
 - Privacy Pin w/ Extension (for privacy sets)
 - Extra Long Inside Passage Half Spindle
 - 2 1/2" Rosette Screws
 - Extended Full-Lip Strike Plate



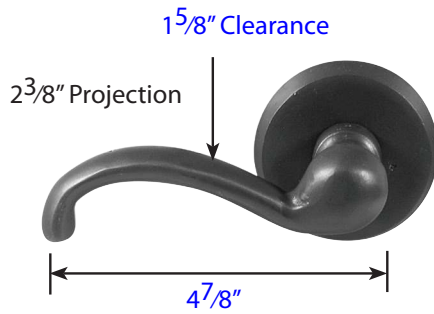
Lariat (LR)
with #2 Rosette



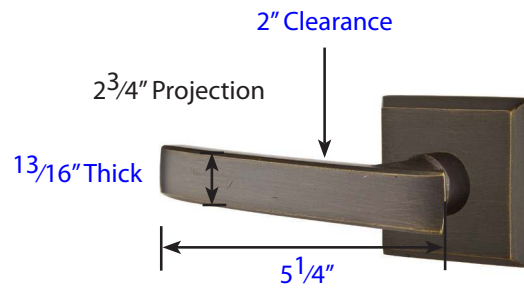
Mariposa (MA)
with #4 Rosette



Montrose (MT)
with #4 Rosette



Teton (TT)
with #2 Rosette



Yuma (YM)
with #6 Rosette

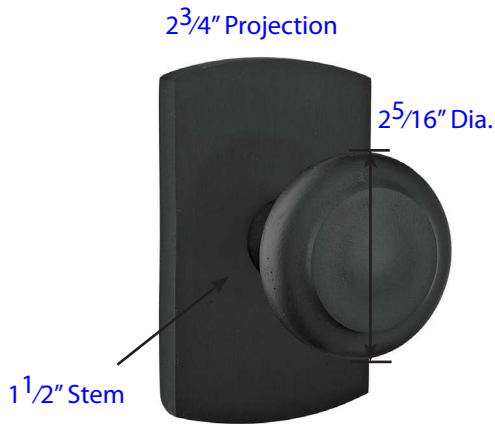
See page 27 for rosette specification.

Door Thickness Specifications

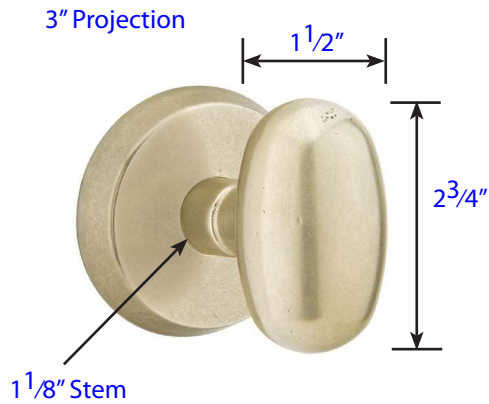
- Standard Door Thickness: 1 1/4" - 2"
- Standard Components:
 - Privacy Pin (for privacy sets)
 - Inside Passage Half Spindle
 - 1 1/2" Rosette Screws
 - Full-Lip Strike Plate

- **Extended** Door Thickness: 2" - 2 1/2"
- Extended Components:
 - Privacy Pin w/ Extension (for privacy sets)
 - Long Inside Passage Half Spindle
 - 2" Rosette Screws
 - Extended Full-Lip Strike Plate

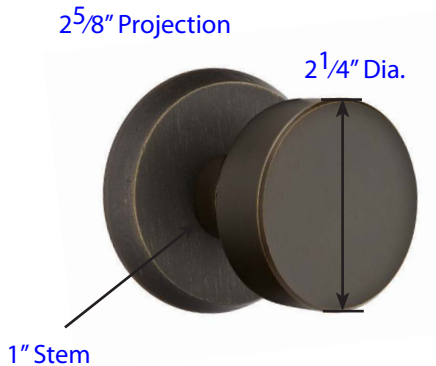
- **Extended** Door Thickness: 2 1/2" - 3"
- Extended Components:
 - Privacy Pin w/ Extension (for privacy sets)
 - Extra Long Inside Passage Half Spindle
 - 2 1/2" Rosette Screws
 - Extended Full-Lip Strike Plate



Butte (BU)
with #4 Rosette








Bronze Egg (BZE)
with #2 Rosette



Round (BZRN)
with #2 Rosette



Winchester (WC)
with #2 Rosette

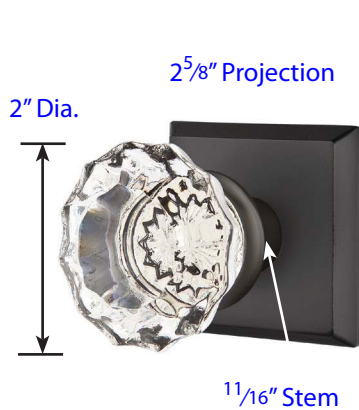
Rosettes	
3/16" Thick	<p>#1</p>  <p>4 1/2" x 2 1/2"</p>
	<p>#2</p>  <p>2 3/4" Dia.</p>
	<p>#3</p>  <p>4 1/2" x 2 1/2"</p>
1/2" Thick	<p>#4</p>  <p>4 1/2" x 2 13/16"</p>
7/16" Thick	<p>#6</p>  <p>2 1/2" x 2 1/2"</p>

Door Thickness Specifications

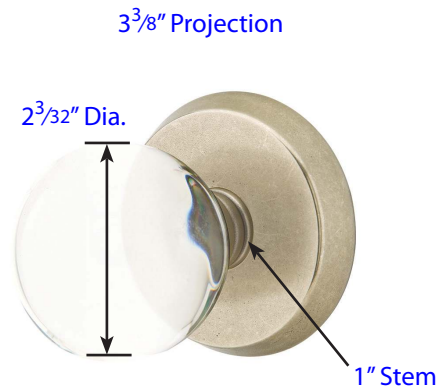
- Standard Door Thickness: 1 1/4" - 2"
- Standard Components:
 - Privacy Pin (for privacy sets)
 - Inside Passage Half Spindle
 - 1 1/2" Rosette Screws
 - Full-Lip Strike Plate

- **Extended** Door Thickness: 2" - 2 1/2"
- Extended Components:
 - Privacy Pin w/ Extension (for privacy sets)
 - Long Inside Passage Half Spindle
 - 2" Rosette Screws
 - Extended Full-Lip Strike Plate

- **Extended** Door Thickness: 2 1/2" - 3"
- Extended Components:
 - Privacy Pin w/ Extension (for privacy sets)
 - Extra Long Inside Passage Half Spindle
 - 2 1/2" Rosette Screws
 - Extended Full-Lip Strike Plate



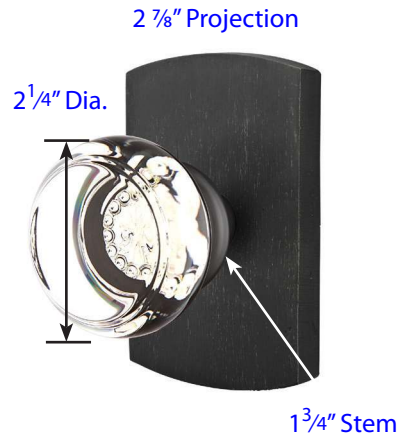
Astoria (AS)
 with #6 Rosette



Bristol (BL)
 with #2 Rosette



Diamond Crystal (CK)
 with #3 Rosette



Georgetown (GT)
 with #4 Rosette

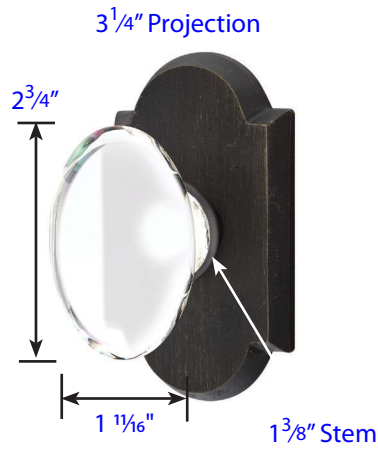
See page 27 for rosette specification.

Door Thickness Specifications

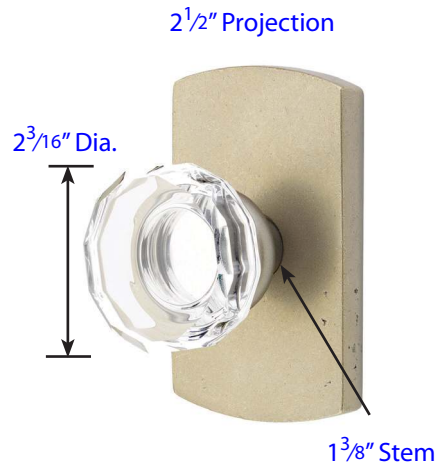
- Standard Door Thickness: 1¹/₄" - 2"
- Standard Components:
- Privacy Pin (for privacy sets)
- Inside Passage Half Spindle
- 1¹/₂" Rosette Screws
- Full-Lip Strike Plate

- **Extended** Door Thickness: 2" - 2¹/₂"
- Extended Components:
- Privacy Pin w/ Extension (for privacy sets)
- Long Inside Passage Half Spindle
- 2" Rosette Screws
- Extended Full-Lip Strike Plate

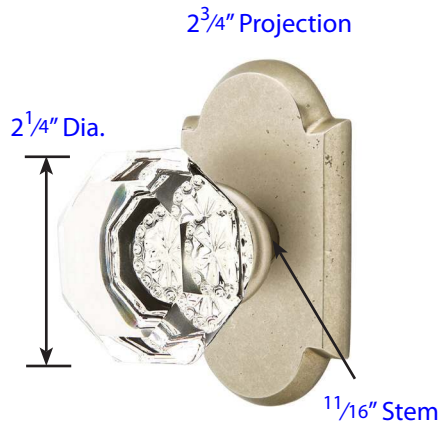
- **Extended** Door Thickness: 2¹/₂" - 3"
- Extended Components:
- Privacy Pin w/ Extension (for privacy sets)
- Extra Long Inside Passage Half Spindle
- 2¹/₂" Rosette Screws
- Extended Full-Lip Strike Plate



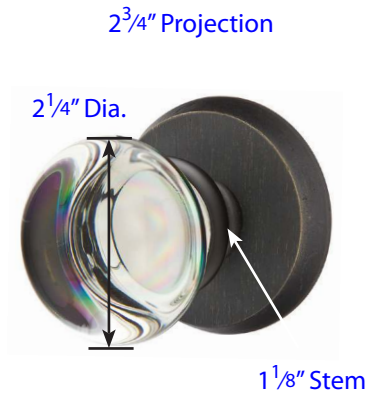
Hampton (HT)
with #1 Rosette



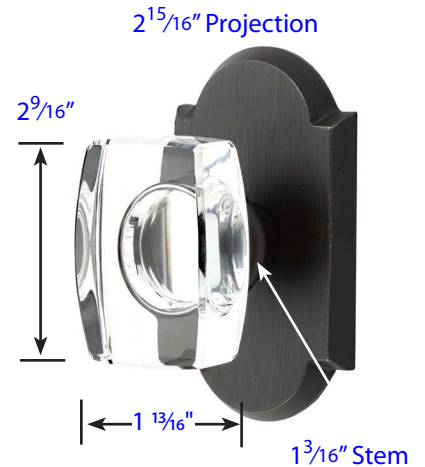
Lowell (LW)
with #4 Rosette



Old Town - Clear (OT)
with #1 Rosette



Providence (PC)
with #2 Rosette



Windsor (WS)
with #1 Rosette

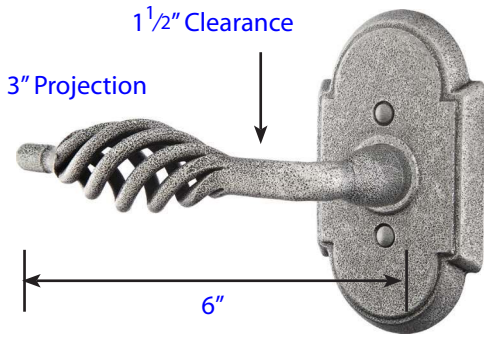
See page 27 for rosette specification.

Door Thickness Specifications

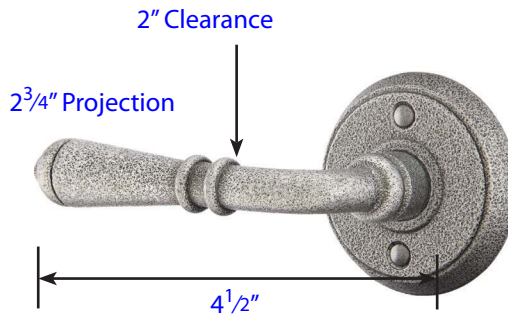
- Standard Door Thickness: 1 1/4" - 2"
- Standard Components:
- Privacy Pin (for privacy sets)
- Inside Passage Half Spindle
- 1 1/2" Rosette Screws
- Full-Lip Strike Plate

- **Extended** Door Thickness: 2" - 2 1/2"
- Extended Components:
- Privacy Pin w/ Extension (for privacy sets)
- Long Inside Passage Half Spindle
- 2" Rosette Screws
- Extended Full-Lip Strike Plate

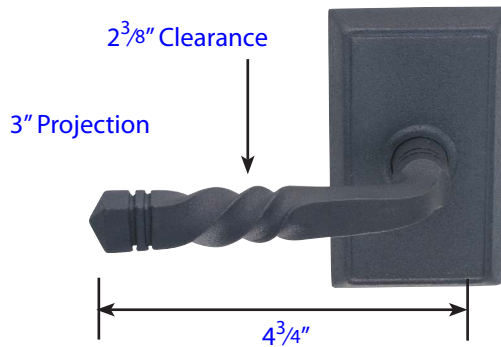
- **Extended** Door Thickness: 2 1/2" - 3"
- Extended Components:
- Privacy Pin w/ Extension (for privacy sets)
- Extra Long Inside Passage Half Spindle
- 2 1/2" Rosette Screws
- Extended Full-Lip Strike Plate



Lafayette (L)
with #1 Rosette
DISCONTINUED



Normandy (N)
with #2 Rosette



San Carlos (SC)
with #3 Rosette

Rosettes

3/8" Thick

#1



4 3/8" x 2 5/16"

#2



2 5/8" Dia.

#3



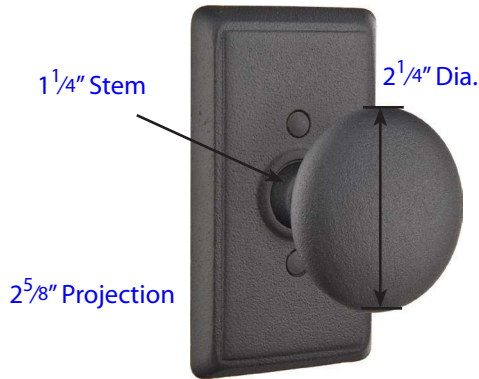
4 3/8" x 2 5/16"

Door Thickness Specifications

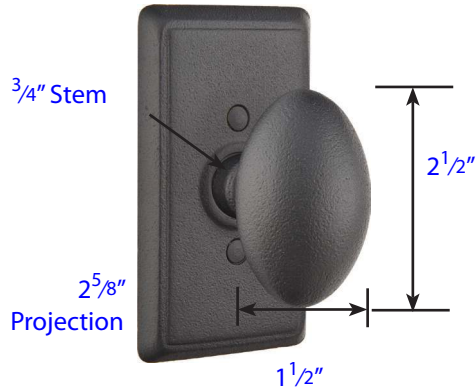
- Standard Door Thickness: 1 3/8" - 2"
- Standard Components:
 - Privacy Pin (for privacy sets)
 - Inside Passage Half Spindle
 - 1 1/2" Rosette Screws
 - Full-Lip Strike Plate

- **Extended** Door Thickness: 2" - 2 1/2"
- Extended Components:
 - Privacy Pin w/ Extension (for privacy sets)
 - Long Inside Passage Half Spindle
 - 2" Rosette Screws
 - Extended Full-Lip Strike Plate

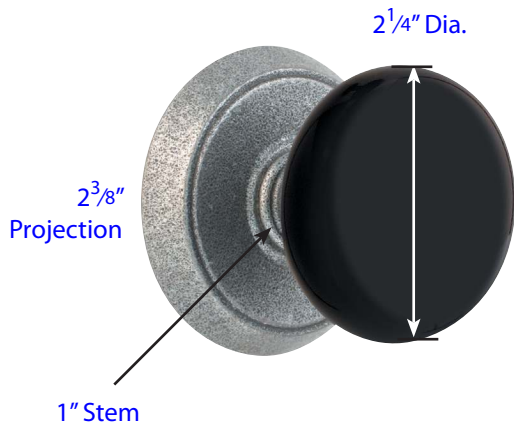
- **Extended** Door Thickness: 2 1/2" - 3"
- Extended Components:
 - Privacy Pin w/ Extension (for privacy sets)
 - Extra Long Inside Passage Half Spindle
 - 2 1/2" Rosette Screws
 - Extended Full-Lip Strike Plate



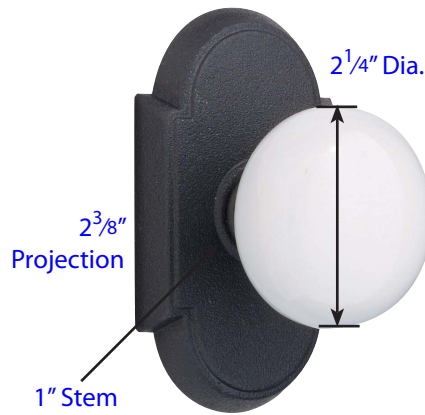
Jamestown (J)
 with #3 Rosette



Savannah (SV)
 with #3 Rosette



Madison Black (MB)
 with #2 Rosette



Madison Ivory (MI)
 with #1 Rosette

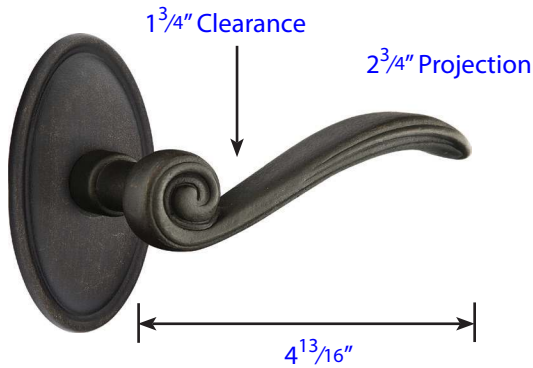
See page 30 for rosette specification.

Door Thickness Specifications

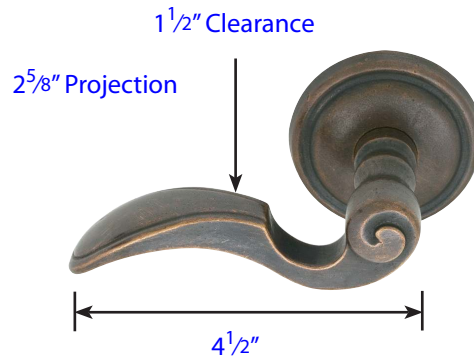
- Standard Door Thickness: 1 3/8" - 2"
- Standard Components:
 - Privacy Pin (for privacy sets)
 - Inside Passage Half Spindle
 - 1 1/2" Rosette Screws
 - Full-Lip Strike Plate

- **Extended** Door Thickness: 2" - 2 1/2"
- Extended Components:
 - Privacy Pin w/ Extension (for privacy sets)
 - Long Inside Passage Half Spindle
 - 2" Rosette Screws
 - Extended Full-Lip Strike Plate

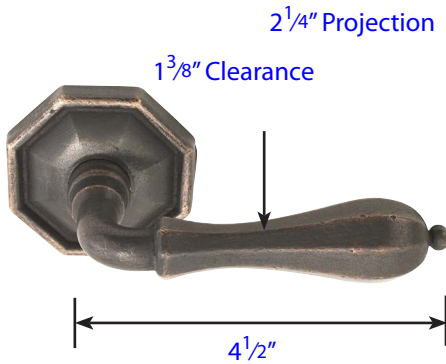
- **Extended** Door Thickness: 2 1/2" - 3"
- Extended Components:
 - Privacy Pin w/ Extension (for privacy sets)
 - Extra Long Inside Passage Half Spindle
 - 2 1/2" Rosette Screws
 - Extended Full-Lip Strike Plate



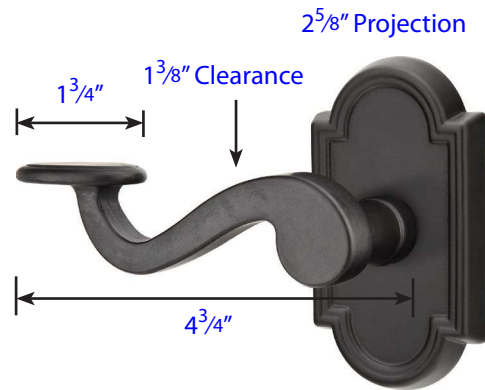
Medici (MDI)
with #14 Rosette



Napoli (NA)
with #12 Rosette



Octagon (OCL)
with #15 Rosette



Padua (PD)
with #11 Rosette

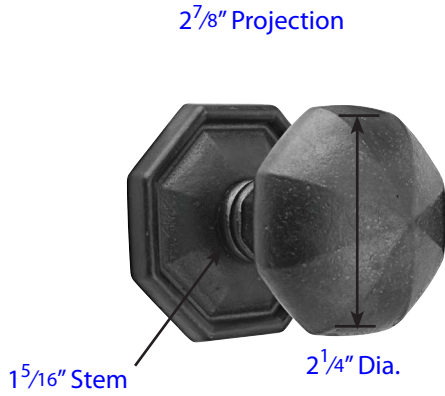
See page 33 for rosette specification.

Door Thickness Specifications

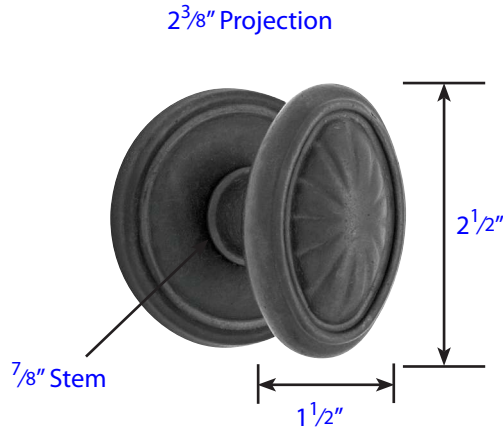
- Standard Door Thickness: 1 3/8" - 2"
- Standard Components:
 - Privacy Pin (for privacy sets)
 - Inside Passage Half Spindle
 - 1 1/2" Rosette Screws
 - Full-Lip Strike Plate

- **Extended** Door Thickness: 2" - 2 1/2"
- Extended Components:
 - Privacy Pin w/ Extension (for privacy sets)
 - Long Inside Passage Half Spindle
 - 2" Rosette Screws
 - Extended Full-Lip Strike Plate

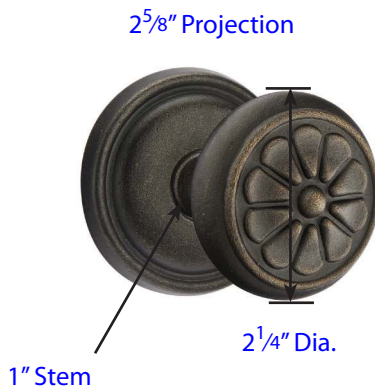
- **Extended** Door Thickness: 2 1/2" - 3"
- Extended Components:
 - Privacy Pin w/ Extension (for privacy sets)
 - Extra Long Inside Passage Half Spindle
 - 2 1/2" Rosette Screws
 - Extended Full-Lip Strike Plate



Octagon (OCK)
with #15 Rosette



Parma (PA)
with #12 Rosette



Petal (PT)
with #12 Rosette

Rosettes

7/16" Thick

#11



4 1/2" x 2 1/2"

#12



2 5/8" Dia.

#14



4 1/2" x 2 3/8"

#15



2 1/2" x 2 1/2"

Door Thickness Specifications

- Standard Door Thickness: 1 3/8" - 2"
- Standard Components:
 - Privacy Pin (for privacy sets)
 - Inside Passage Half Spindle
 - 1 1/2" Rosette Screws
 - Full-Lip Strike Plate

- **Extended** Door Thickness: 2" - 2 1/2"
- Extended Components:
 - Privacy Pin w/ Extension (for privacy sets)
 - Long Inside Passage Half Spindle
 - 2" Rosette Screws
 - Extended Full-Lip Strike Plate

- **Extended** Door Thickness: 2 1/2" - 3"
- Extended Components:
 - Privacy Pin w/ Extension (for privacy sets)
 - Extra Long Inside Passage Half Spindle
 - 2 1/2" Rosette Screws
 - Extended Full-Lip Strike Plate