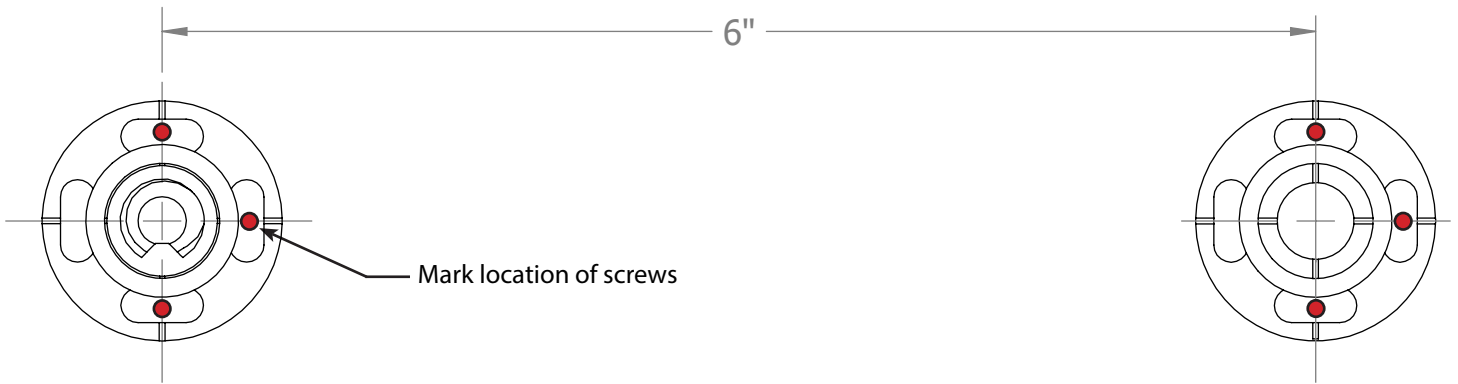
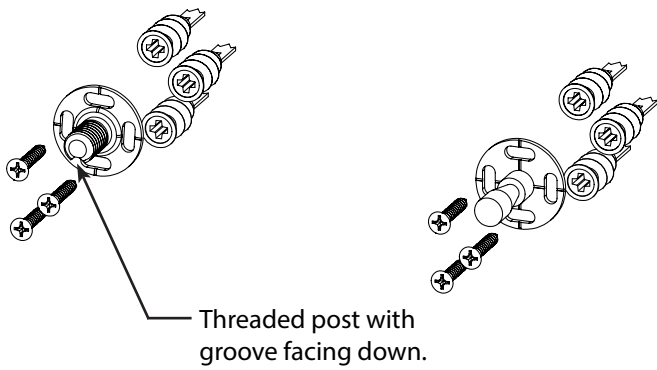


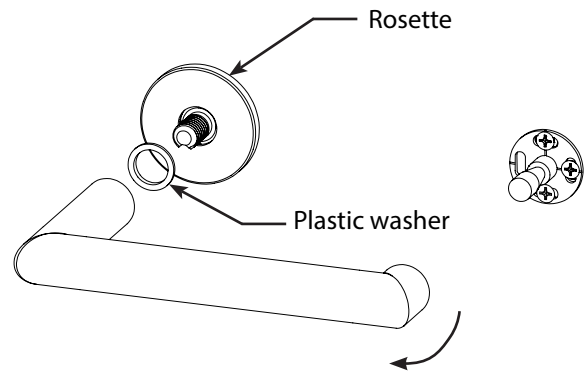
1. Locate Center Mounting of plates



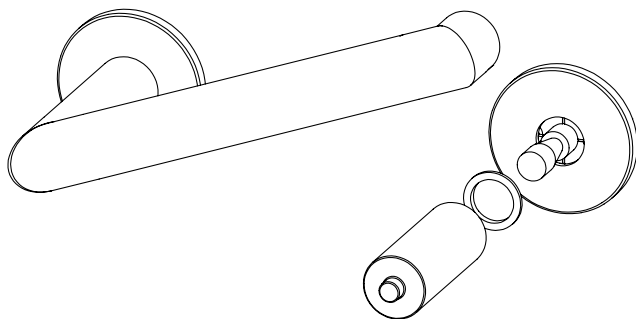
2. Install anchors and secure posts



3. Thread pivoting assembly



4. Install 2nd Post



5. Tighten set screws

