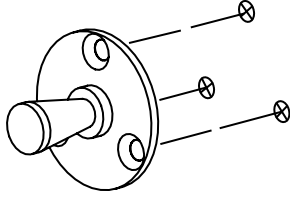


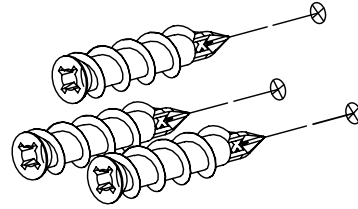
1. Mark hole locations

Using the mounting plate, mark the hole locations.



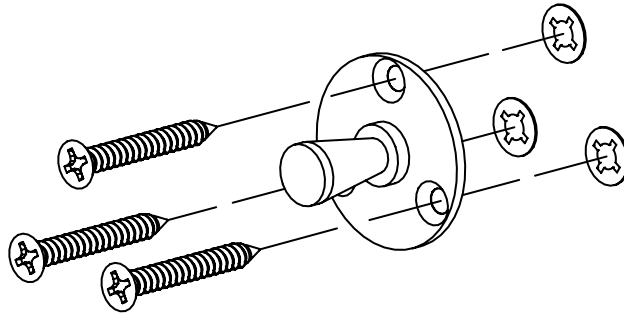
2. Install screw anchors

Use a screw driver to install three screw anchors into the wall

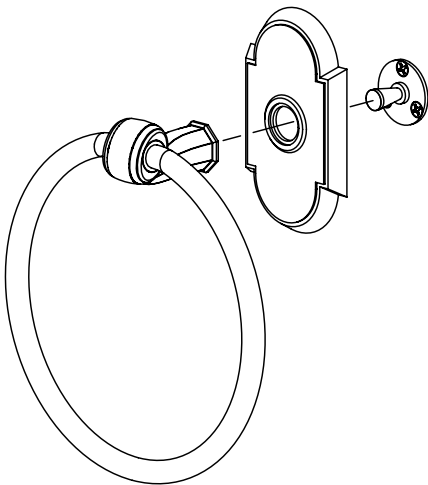


3. Install mounting plate

Secure mounting plate using screws provided

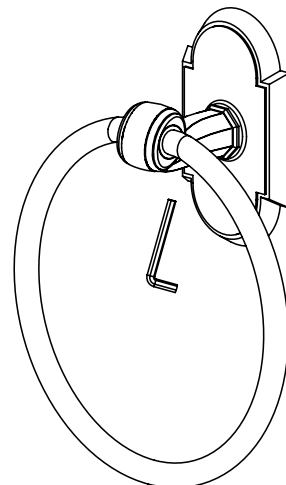


4. Install Trim Plate and Ring Post



Trim Plates vary depending on style

5. Tighten Set screw



Tighten set screw at base of post with Allen Wrench provided.