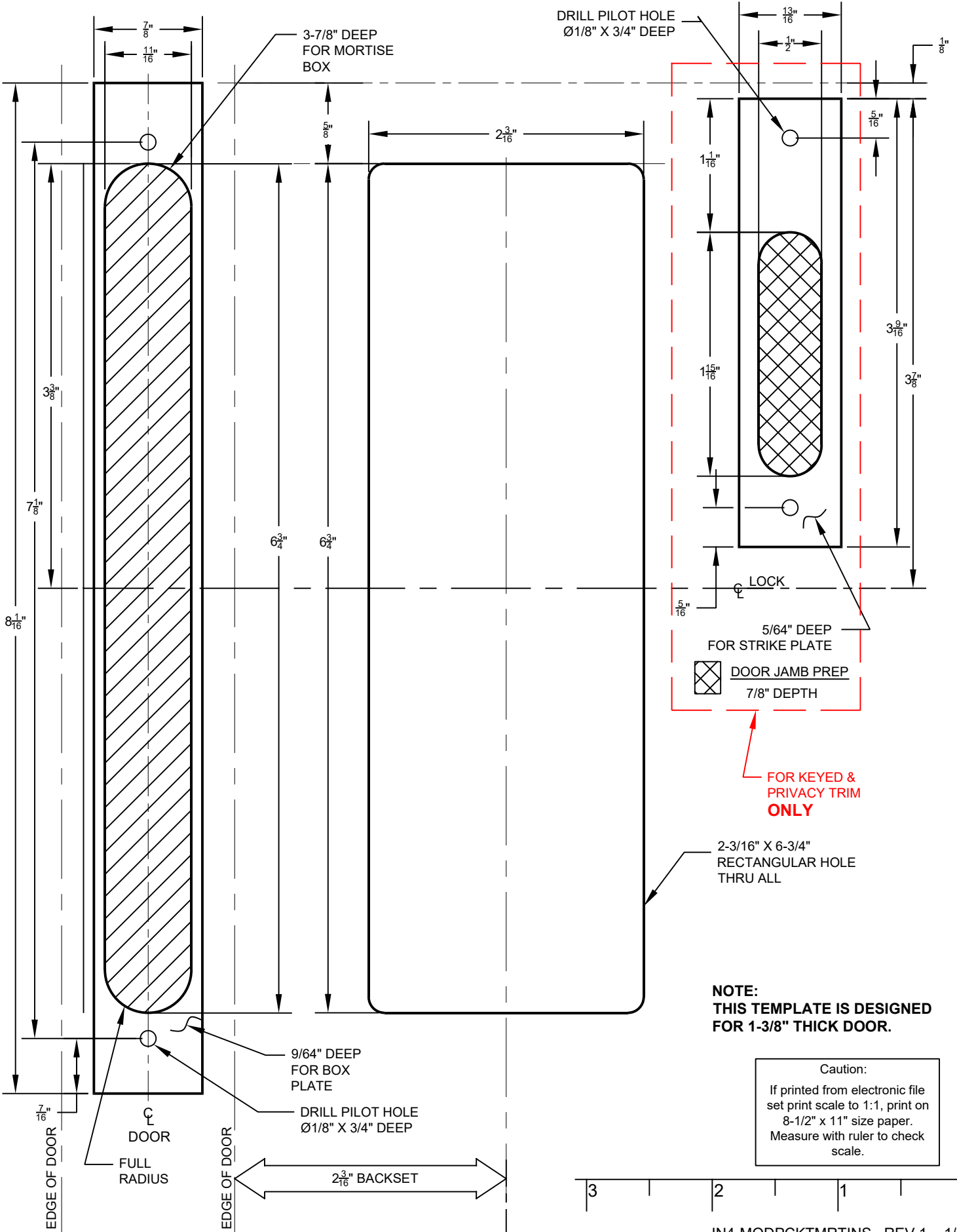


**MODERN RECTANGULAR &  
SANDCAST BRONZE RUSTIC MODERN POCKET MORTISE  
DOOR PREPARATION TEMPLATE**



MODERN RECTANGULAR & SANDCAST  
BRONZE RUSTIC MODERN POCKET MORTISE

PM

MODERN RECTANGULAR & SANDCAST  
BRONZE RUSTIC MODERN POCKET MORTISE

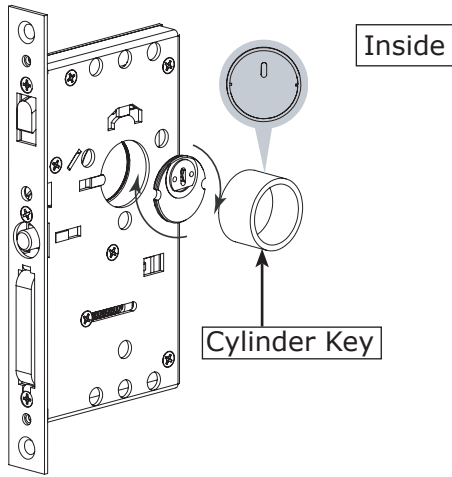
PM

**NOTE:**  
THIS TEMPLATE IS DESIGNED  
FOR 1-3/8" THICK DOOR.

Caution:  
If printed from electronic file  
set print scale to 1:1, print on  
8-1/2" x 11" size paper.  
Measure with ruler to check  
scale.

**1. Thread Drive Bar Cylinder**

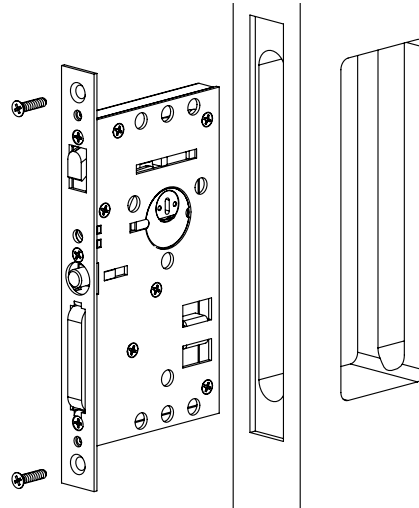
Use **Cylinder Key** to thread Drive Bar Cylinder clockwise on **interior side** of door.



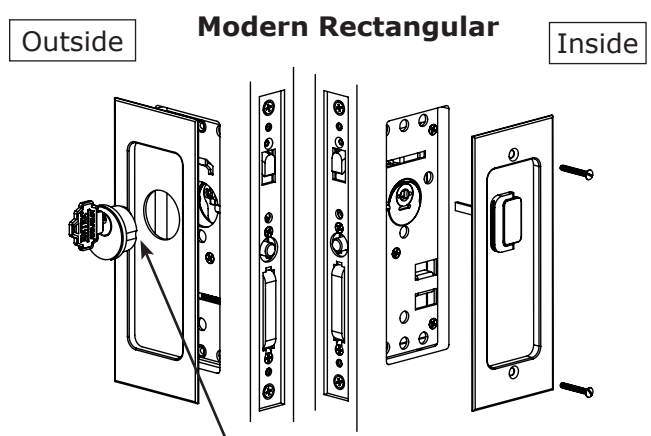
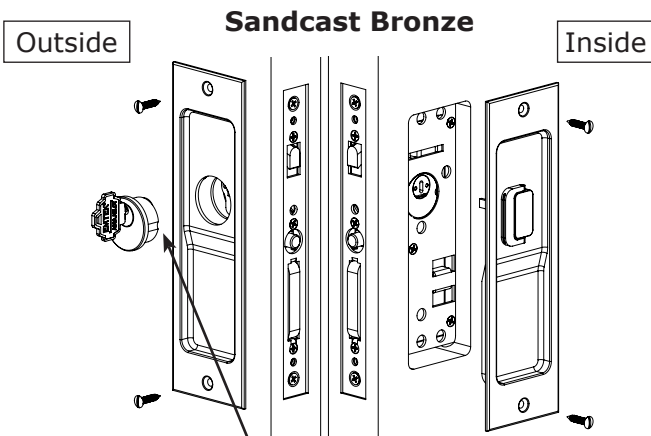
Note: Notches on cylinder must be parallel with the horizontal plane when screwed flush into lock body.

**2. Install Lock Body**

Inside



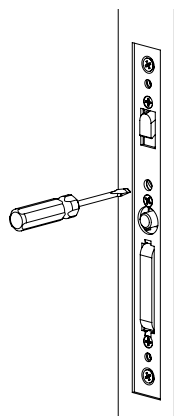
**3. Install outside and inside plates**



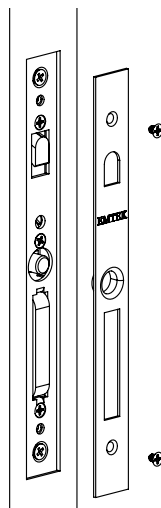
Install Key Cylinder by threading it clockwise onto lock body plate  
 Key Cylinder notch must be at the horizontal position when fully screwed in lock body.

**4. Tighten Drive Bar Cylinder**

Tighten locking screw to engage notch on cylinder

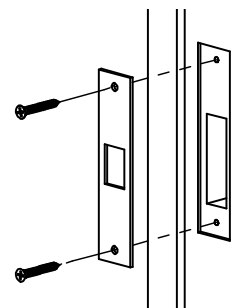


**5. Install Trim Plate**



**6. Install Door Jamb**

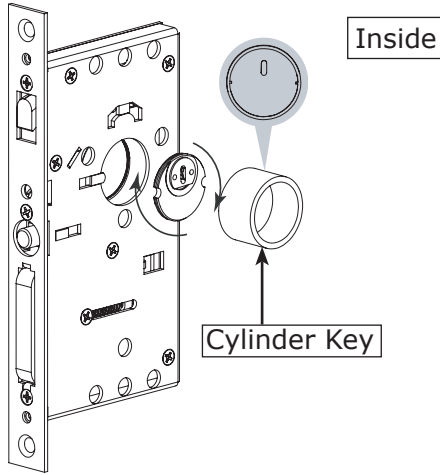
Drill two 7/64" pilot holes



See template for door jamb prep specifications

### 1. Thread Drive Bar Cylinder

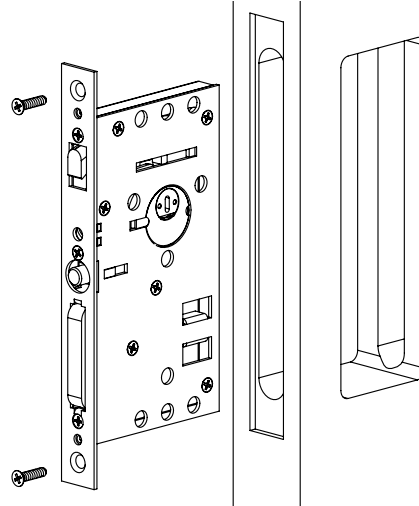
Use **Cylinder Key** to thread Drive Bar Cylinder clockwise on **interior side** of door.



Note: Notches on cylinder must be parallel with the horizontal plane when screwed flush into lock body.

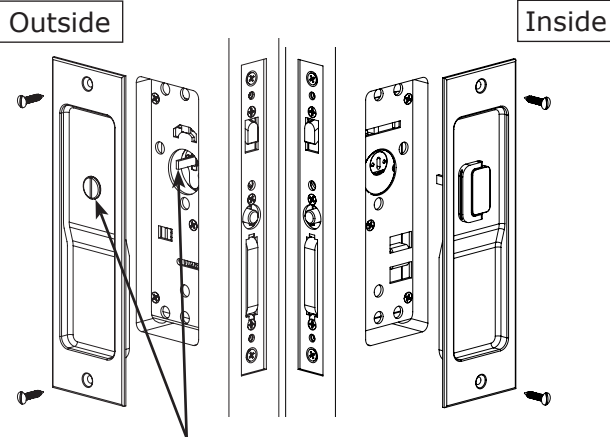
### 2. Install Lock Body

Inside

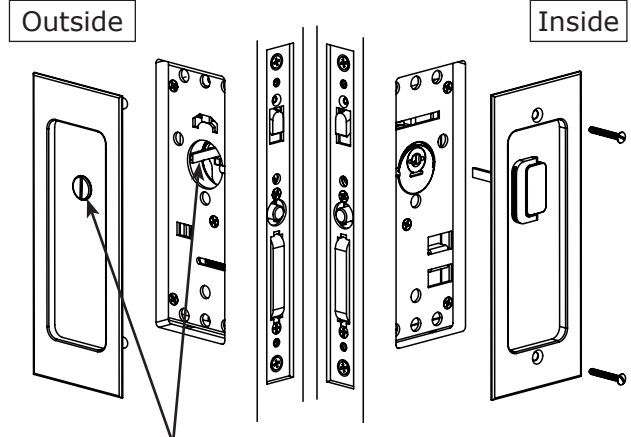


### 3. Install outside and inside plates

#### Sandcast Bronze



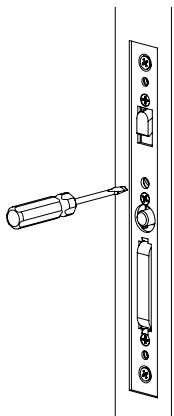
#### Modern Rectangular



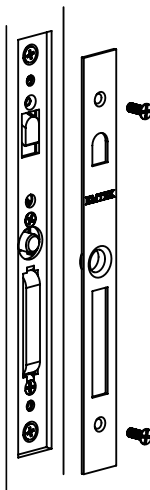
Align Passage/Privacy Button with Thumb-Turn tail piece and secure trim plates to door.

### 4. Tighten Drive Bar Cylinder

Tighten locking screw to engage notch on cylinder

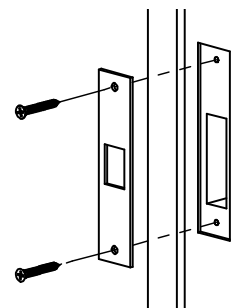


### 5. Install Trim Plate



### 6. Install Door Jamb

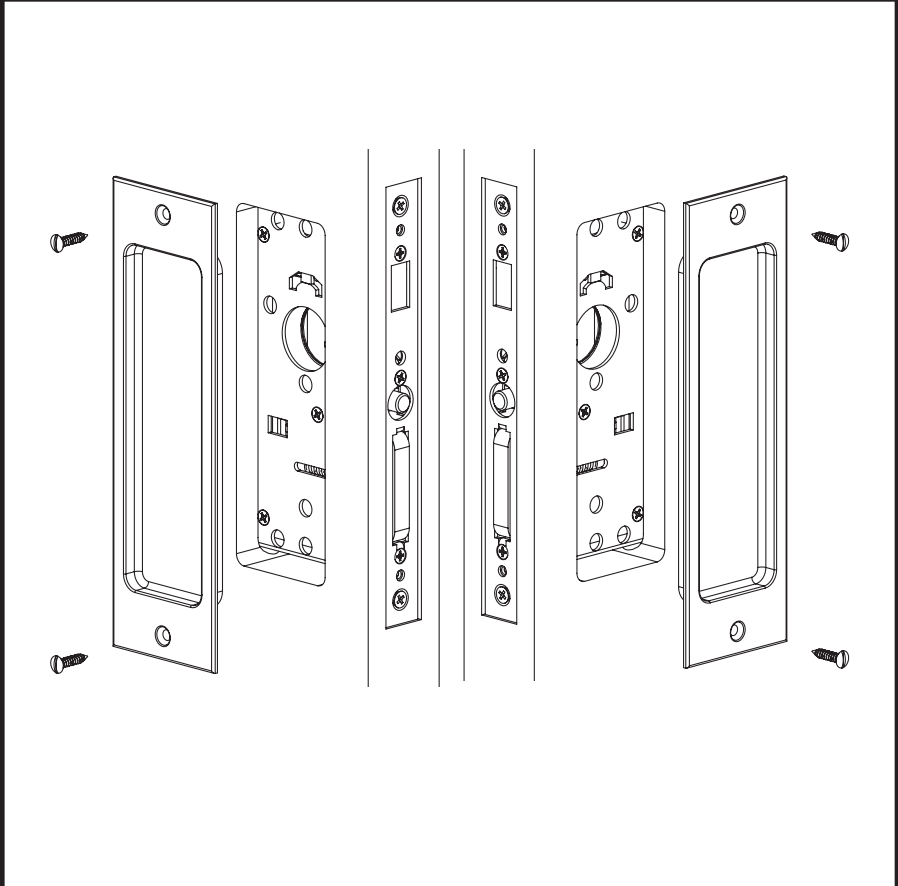
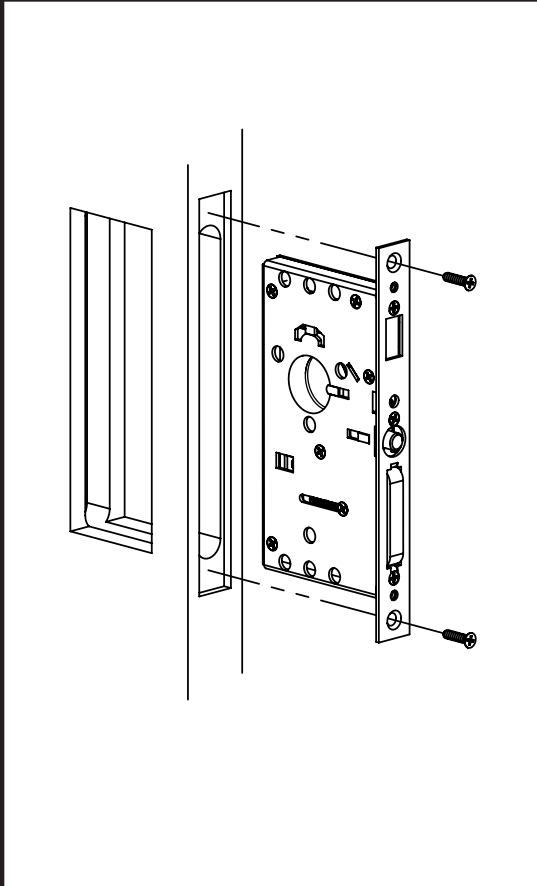
Drill two 7/64" pilot holes



See template for door jamb prep specifications

1. Install Lock Body

2. Install Inside and Outside Plates: Sandcast Bronze



2. Install Inside and Outside Plates: Modern Rectangular

3. Install Trim Plate

