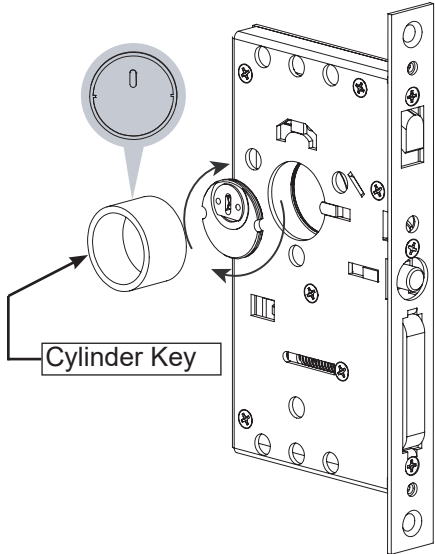


Installation Guide for Pocket Door Mortise Lock - Keyed Function

1. Thread Drive Bar Cylinder

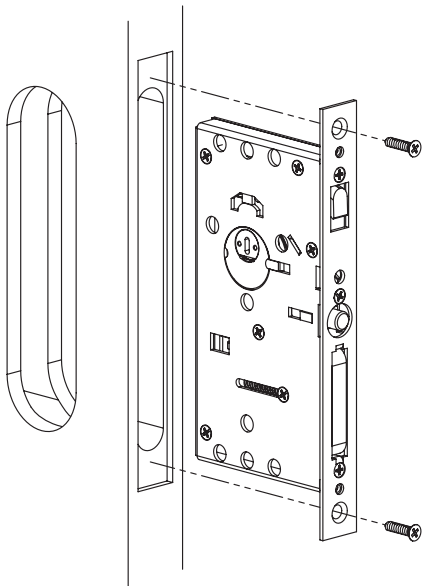
Use Cylinder Key to thread Drive Bar Cylinder clockwise on interior side of door.

Note: Drive Bar Socket must be in the 12 o' clock position as shown.



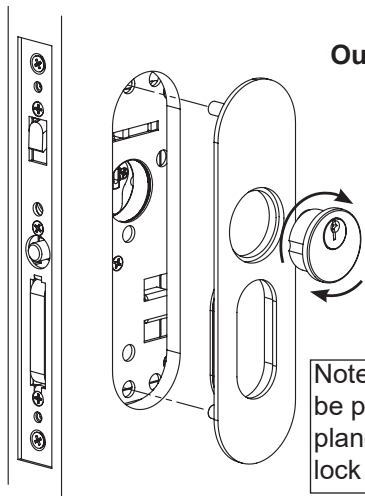
Note: Notches on cylinder must be parallel with the horizontal plane when fully screwed into lock body.

2. Install Lock Body



See template for door prep specifications

3. Install Outside Plate and Thread Key Cylinder



Outside

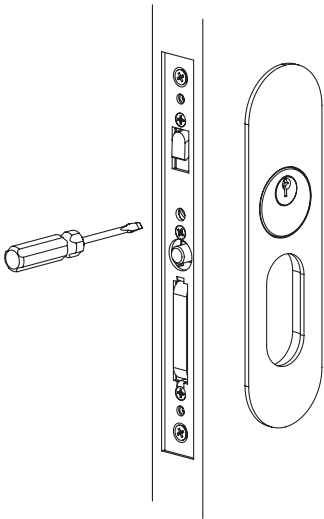
TRIMS VARY
NARROW OVAL SHOWN

Install Key Cylinder by threading it clockwise onto lock body plate.

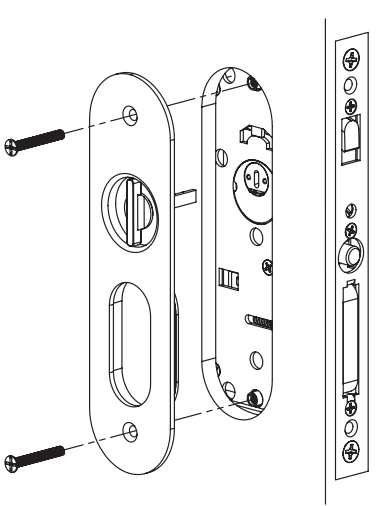
Note: Key Cylinder notches must be parallel with the horizontal plane when fully screwed into lock body.

4. Tighten Key Cylinder

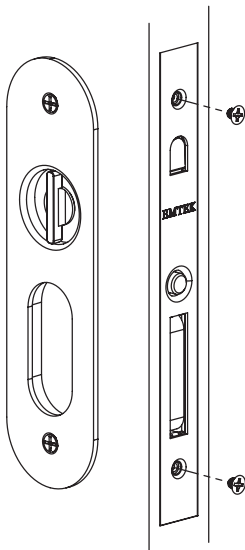
Tighten locking screw to engage notches on cylinder



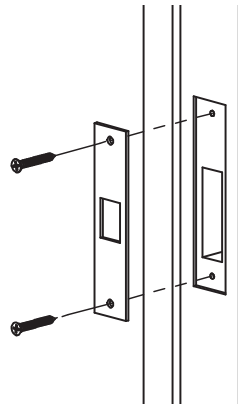
5. Mount Inside Plate



6. Install Trim Plate



Door Jamb Prep.



See template for door jamb prep specifications