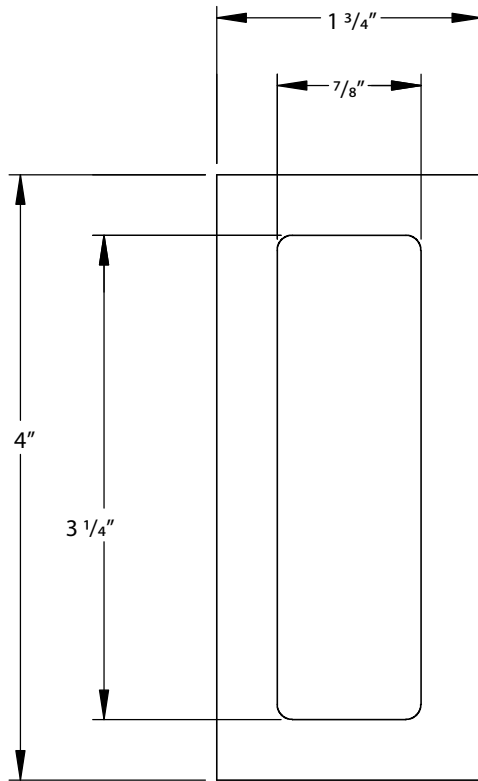


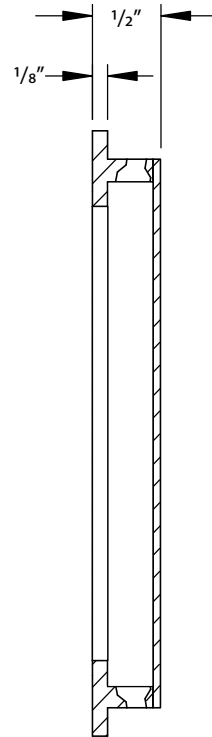
MODERN RECTANGULAR FLUSH PULL - 4"

EMTEK®

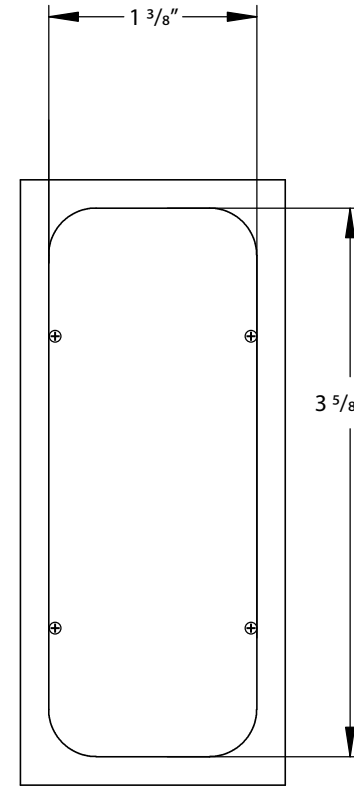
FRONT VIEW



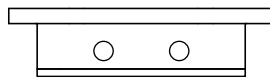
CROSS SECTION



BACK VIEW



TOP VIEW



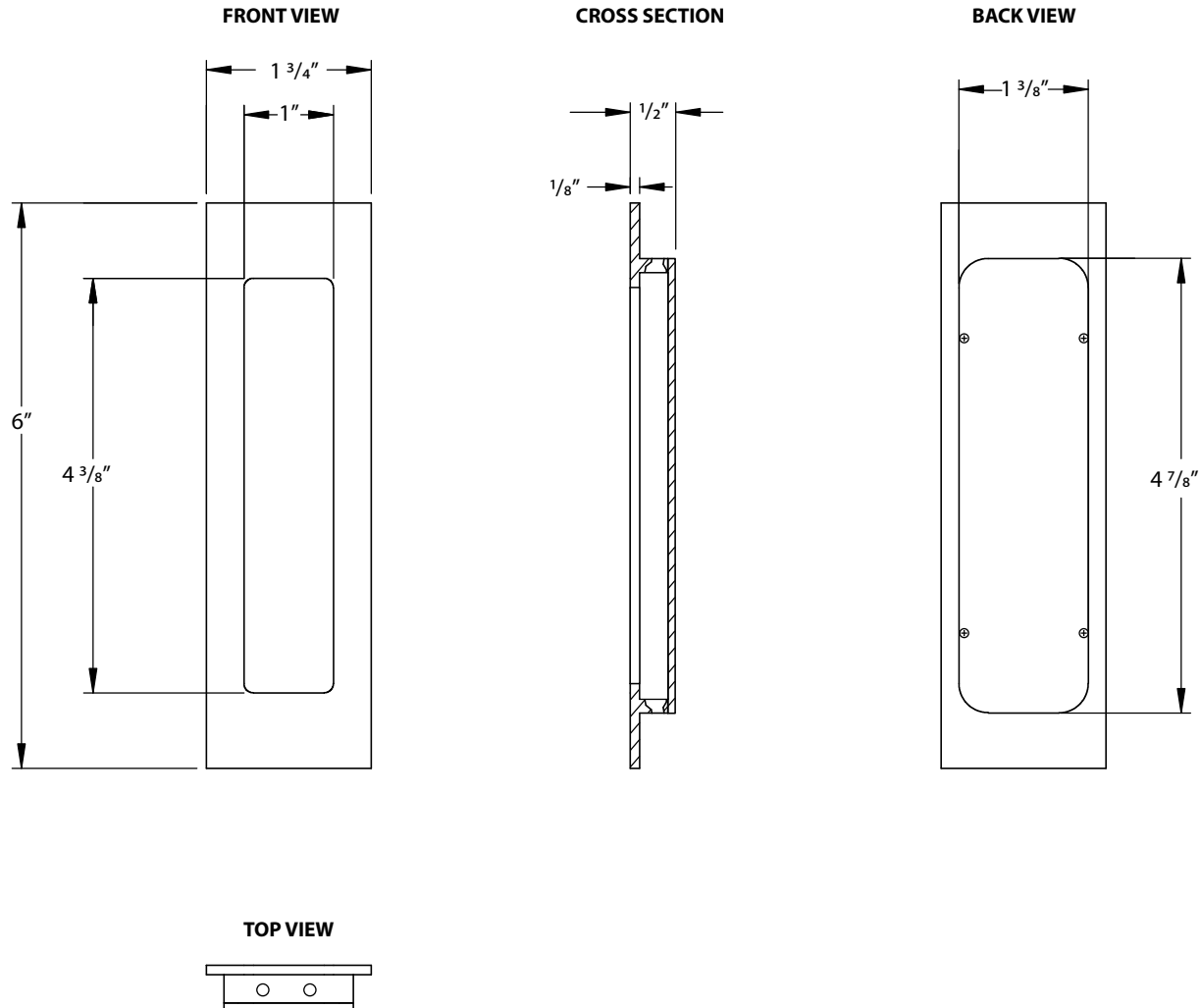
*Note: For general info only. Not drawn to scale. Do not use as a drilling template.

220304

REV. 03-04-2019

MODERN RECTANGULAR FLUSH PULL - 6"

EMTEK®



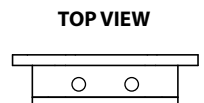
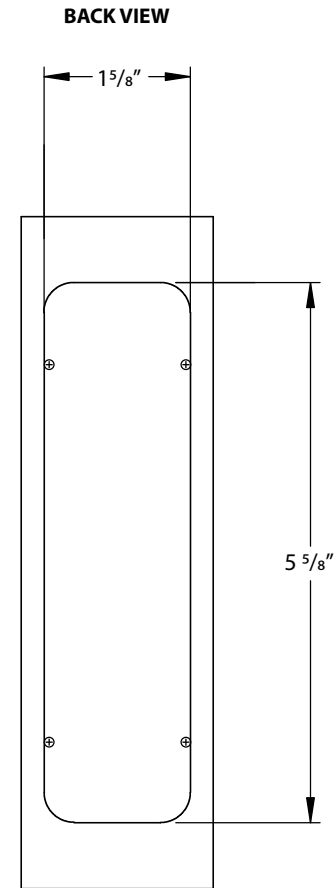
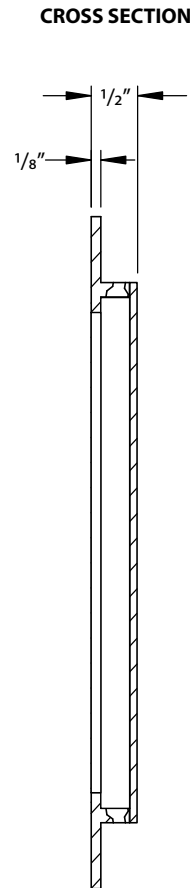
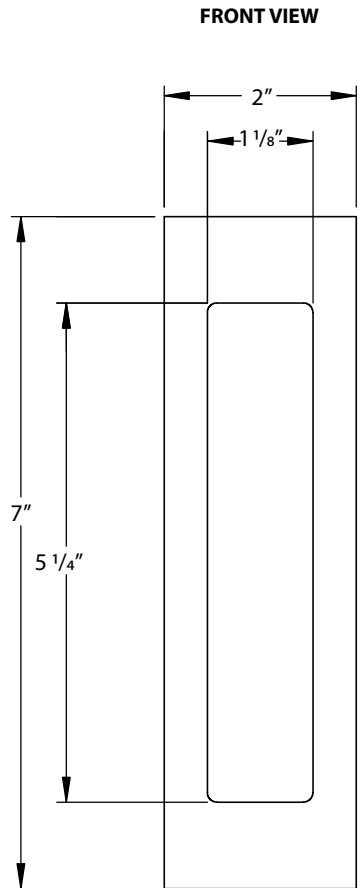
*Note: For general info only. Not drawn to scale. Do not use as a drilling template.

220306

REV. 03-04-2019

MODERN RECTANGULAR FLUSH PULL - 7"

EMTEK®



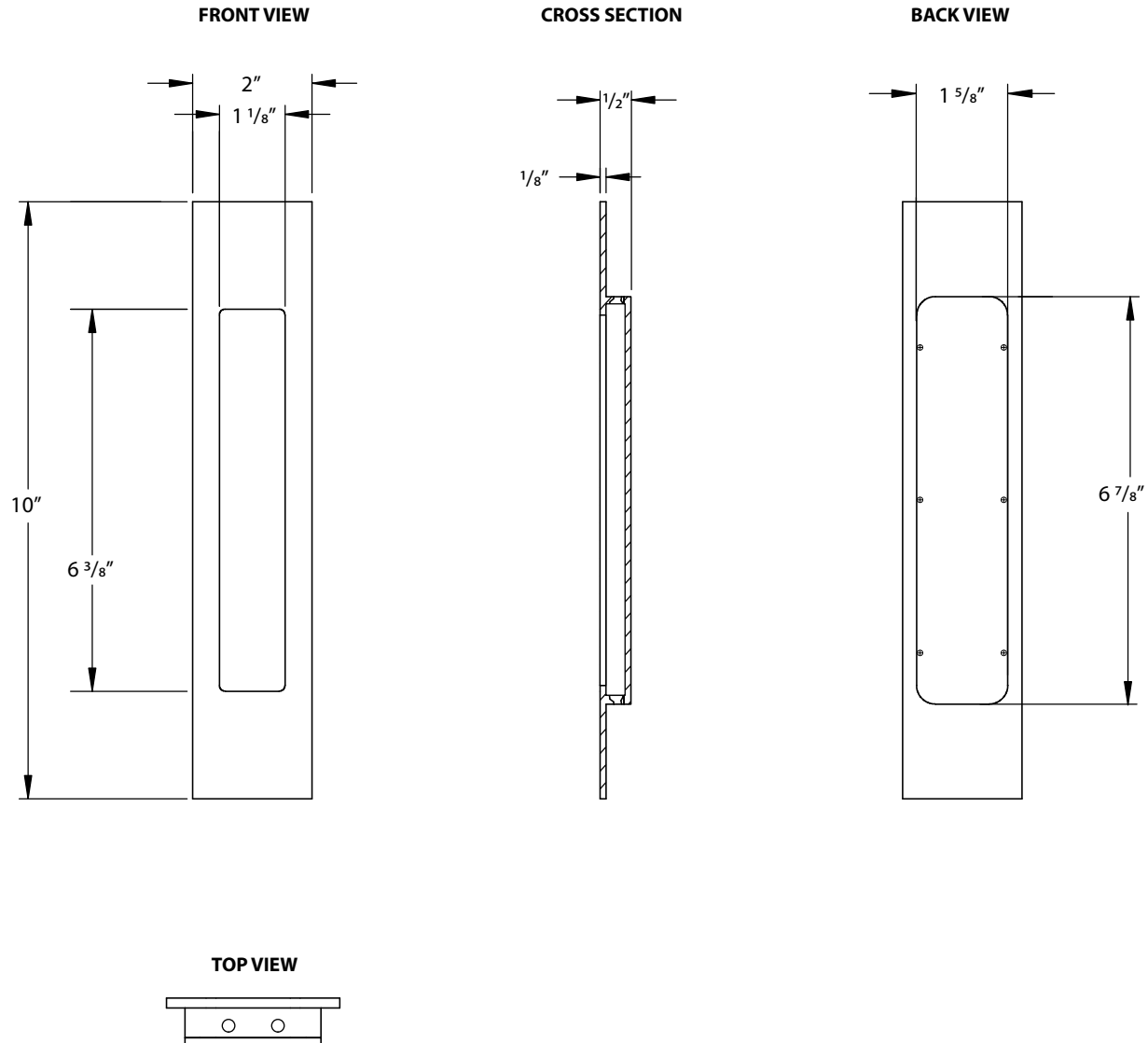
*Note: For general info only. Not drawn to scale. Do not use as a drilling template.

220307

REV. 03-04-2019

MODERN RECTANGULAR FLUSH PULL - 10"

EMTEK®



*Note: For general info only. Not drawn to scale. Do not use as a drilling template.

220310

REV. 03-04-2019

