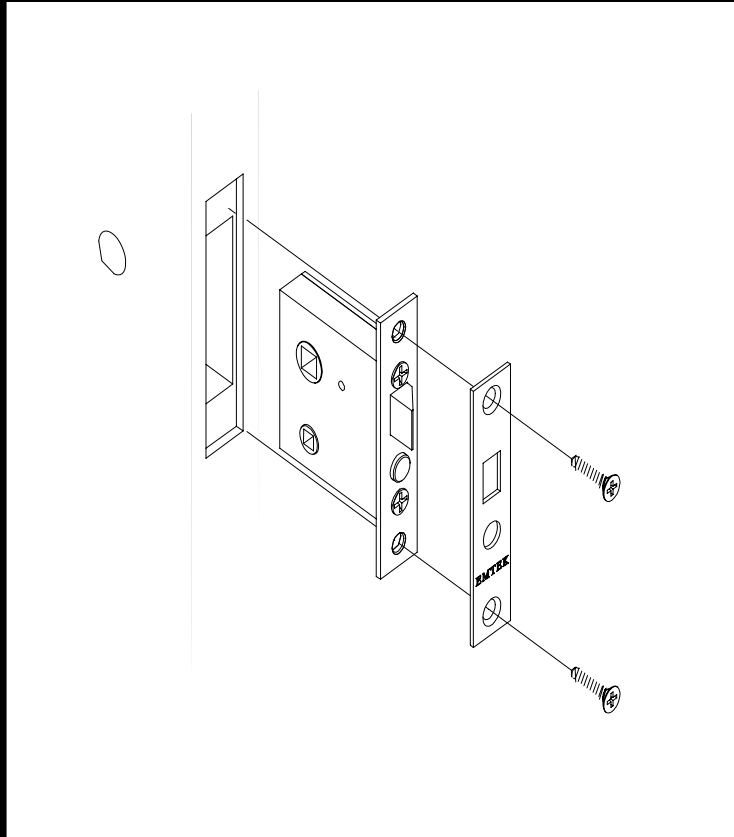
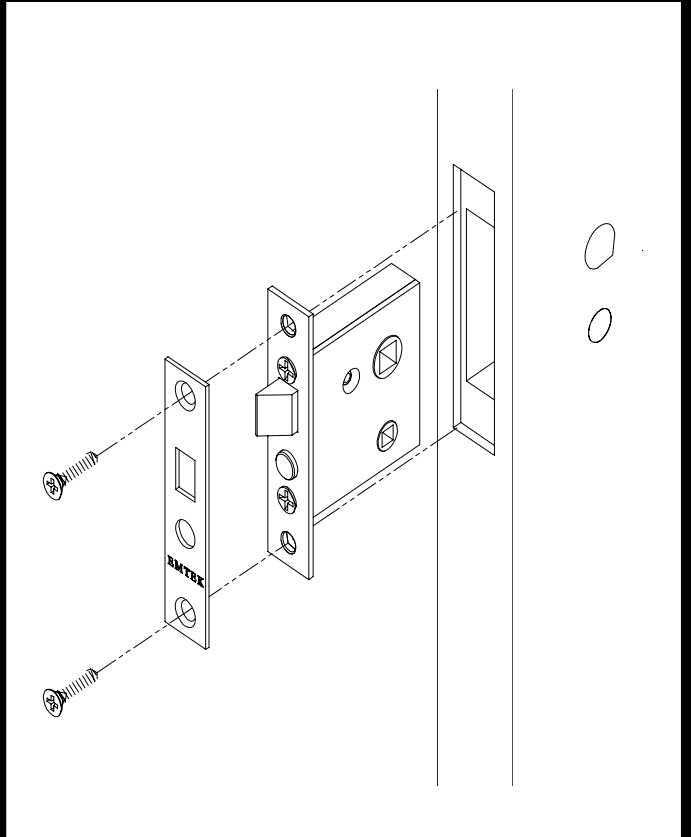


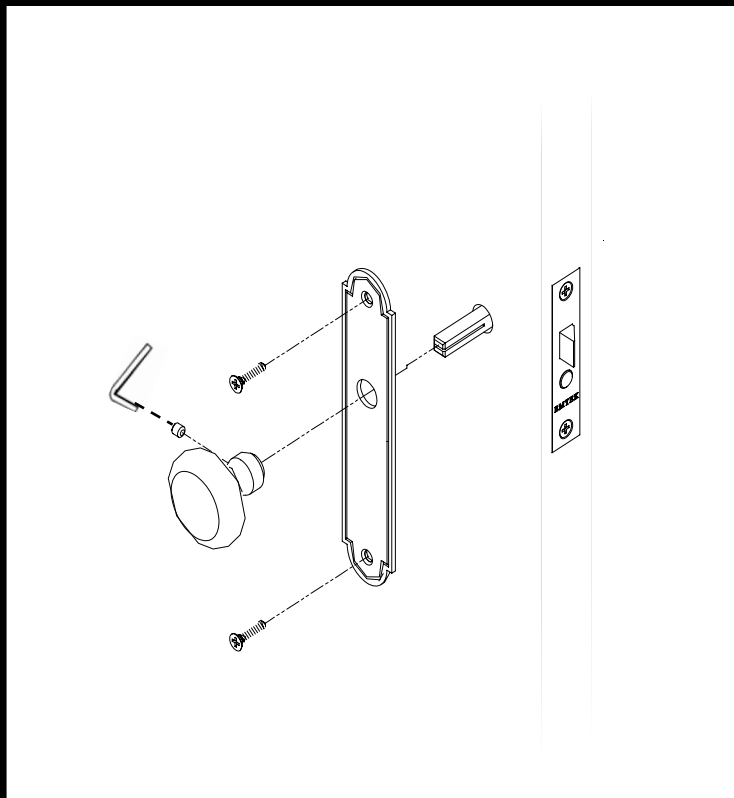
Outside



Inside

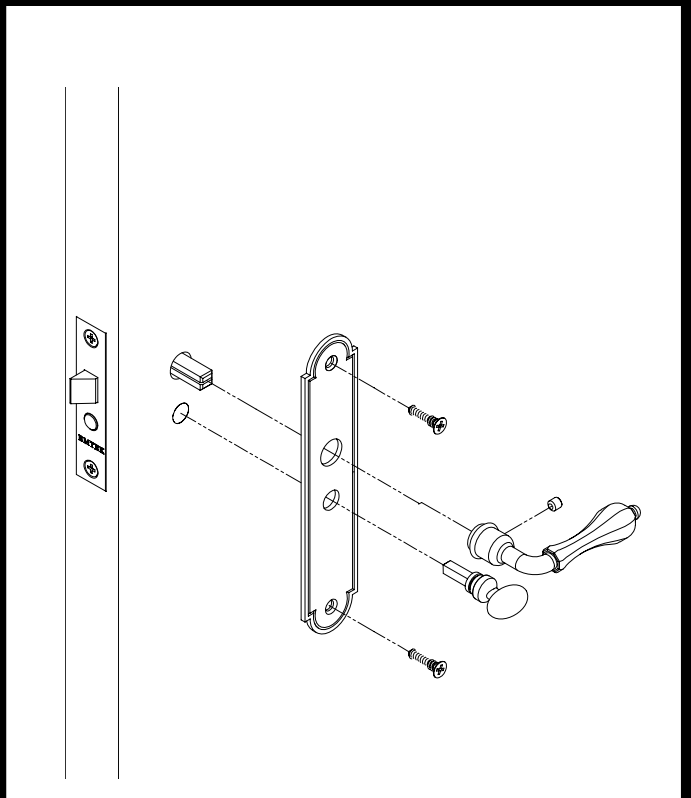


Outside Trim



Secure knob & lever to spindle stem with Allen Wrench (provided)

Inside Trim



Plates and grips vary depending on style

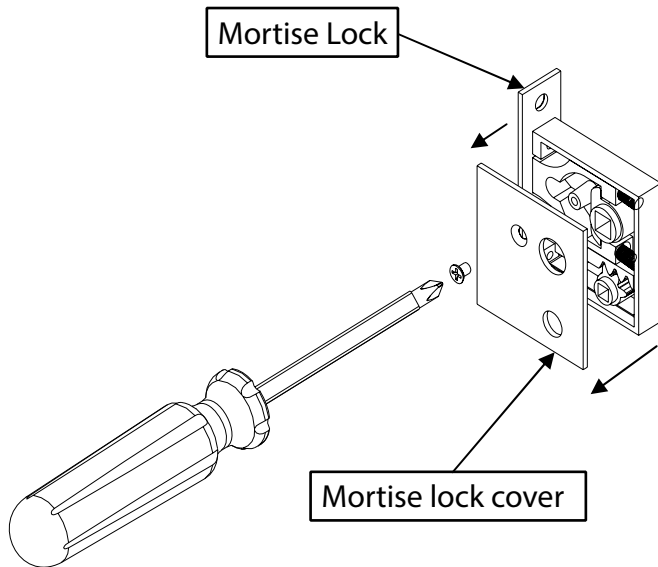
Installation Guide - Screen Door Mortise Lock

How to change latch configuration for left handed door

EMTEK®

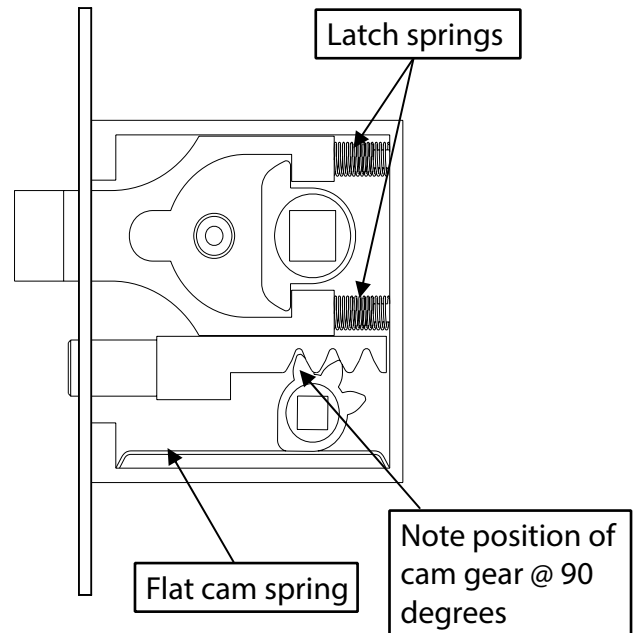
Step 1

Remove Mortise lock cover with Phillips screwdriver



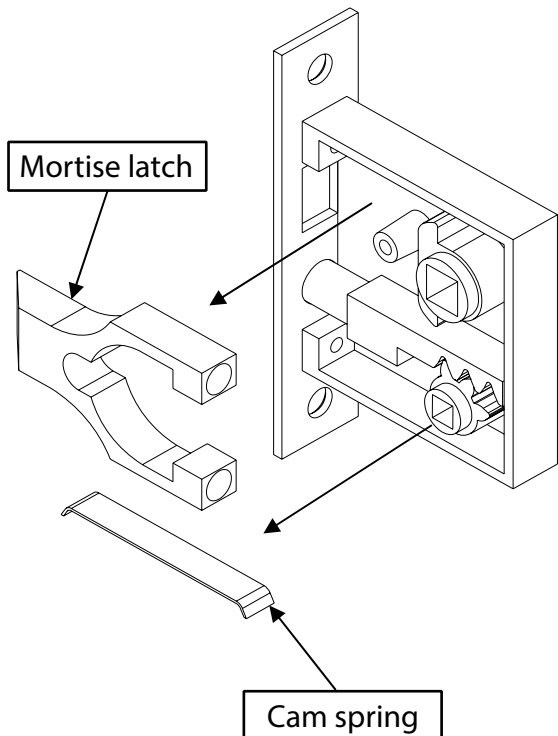
Step 2

Depress and remove latch springs & cam spring using needle nose pliers.



Step 3

With all the springs removed, lift latch from mortise box



Step 4

Rotate latch as shown & reverse steps 1-3 to reassemble

