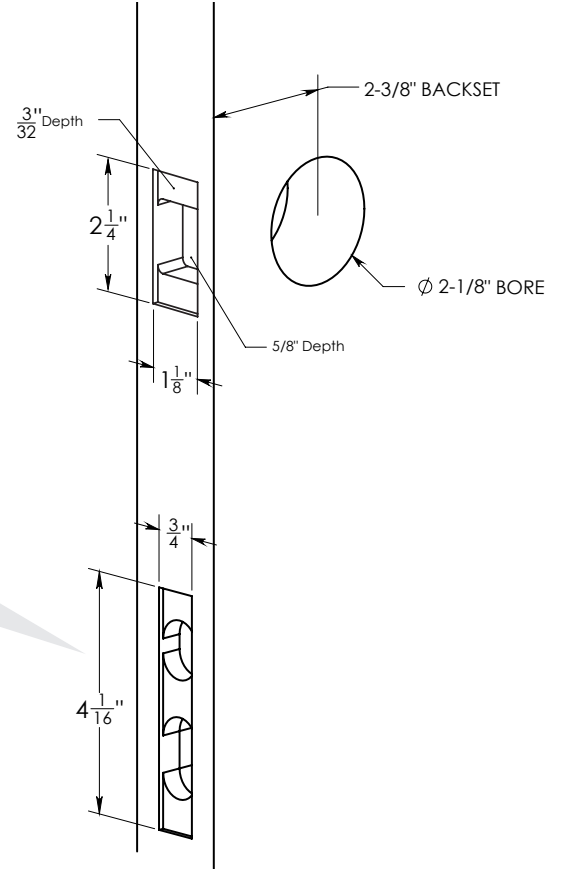
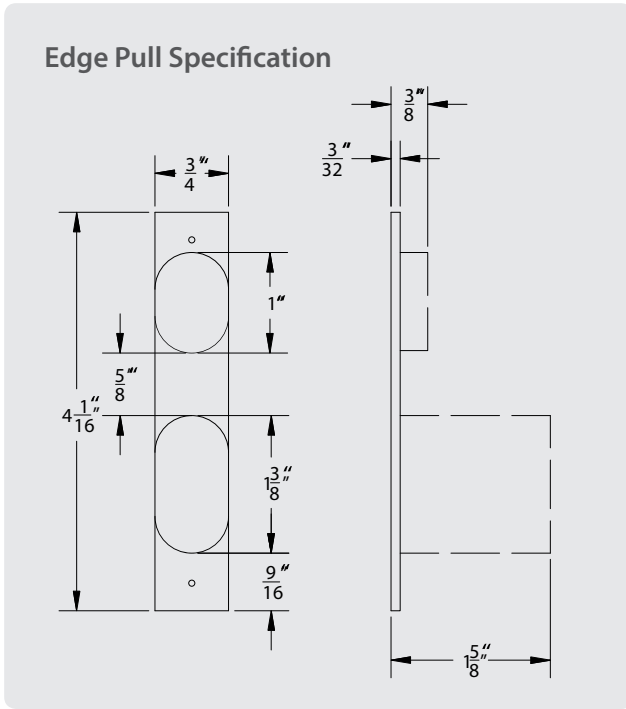


# Installation Instructions

## Tubular Pocket Door Lock, Dummy for Double Door Application

EMTEK

### 1. Door Prep



### 2. Dummy for Double Door Application

Privacy Strike Plate and Dust Box  
(Included with Privacy Lock Purchase)

