

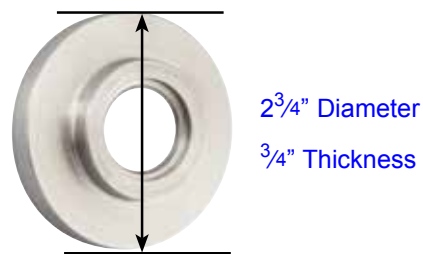
Hanover Lever (HN)

**Door Thickness Specifications:**

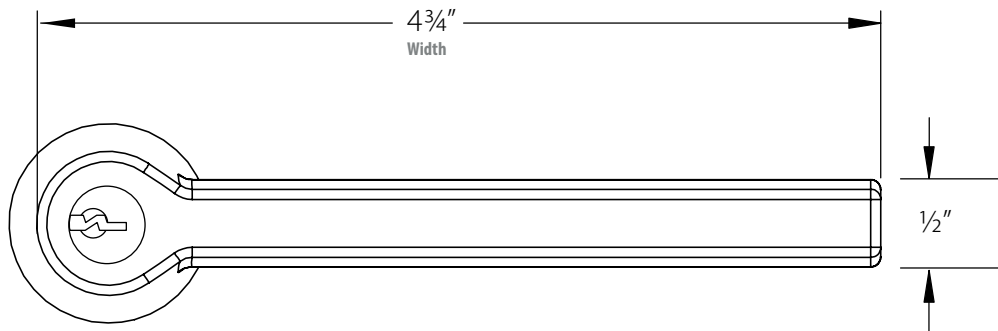
- Standard Door Thickness: 1-3/8" - 2-1/16"
- Extended Door Thickness Range: 2 1/6" - 2 3/4"

\* Specify Door Thickness when ordering

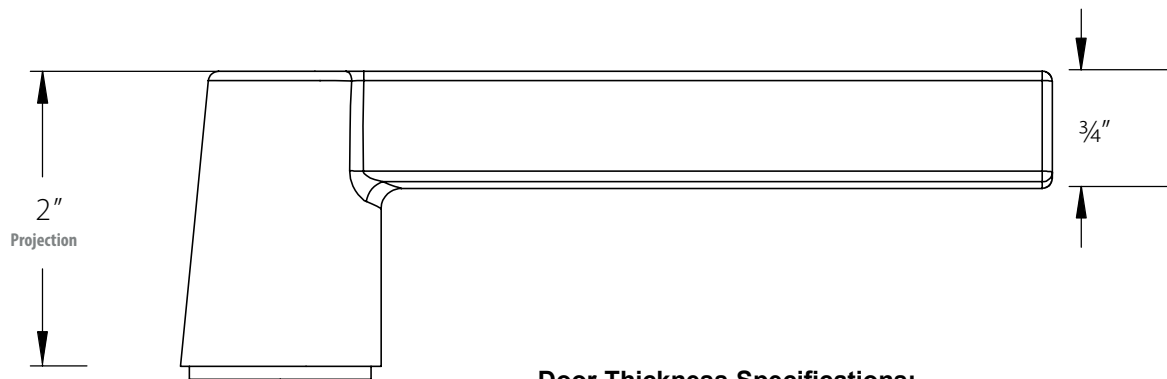
\* For thicker doors, must order with Extension Kit



Disc Key-in  
Rosette



Helios Lever (HLO)

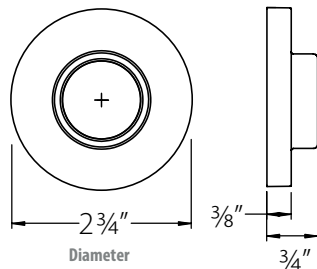


**Door Thickness Specifications:**

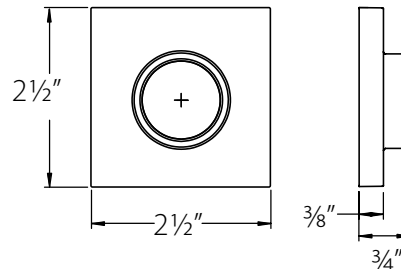
- Standard Door Thickness: 1-3/8" - 2 1/16"
- Extended Door Thickness Range: 2 1/16" - 2 3/4"

\* Specify Door Handing and Thickness when ordering  
 \* For thicker doors, must order with Extension Kit

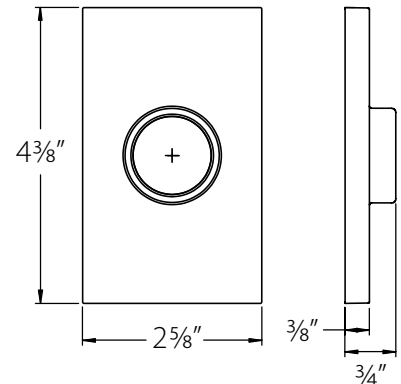
Disk Key-in Rosette

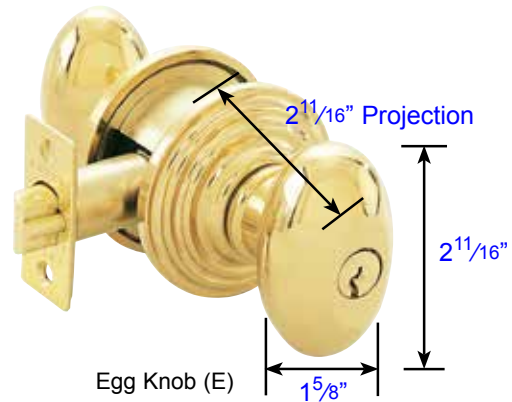
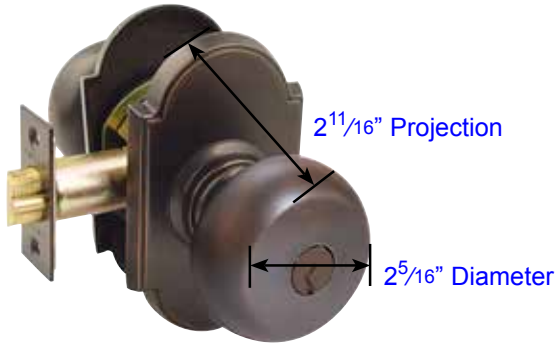


Square Key-in Rosette

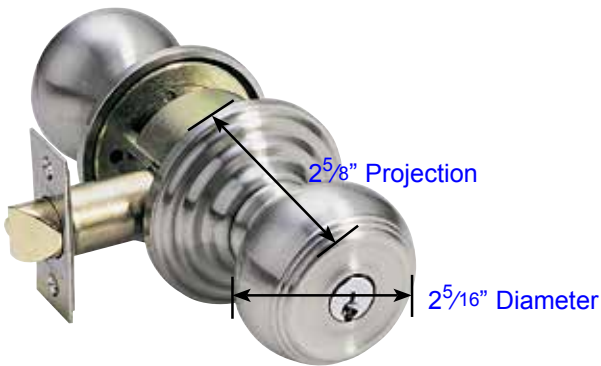


Modern Rectangular Key-in Rosette



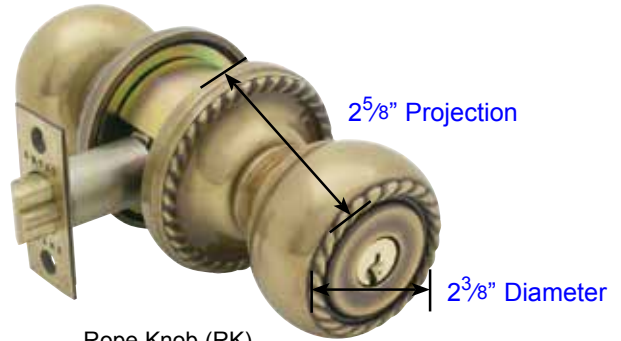


• Space between rosette and knob is approx. 1"



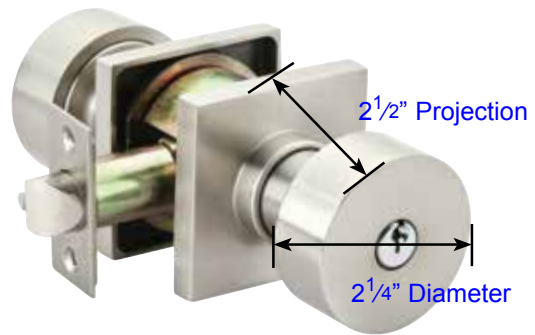
Waverly Knob (W)

• Space between rosette and knob is approx. 1"



Rope Knob (RK)

• Space between rosette and knob is approx. 1"

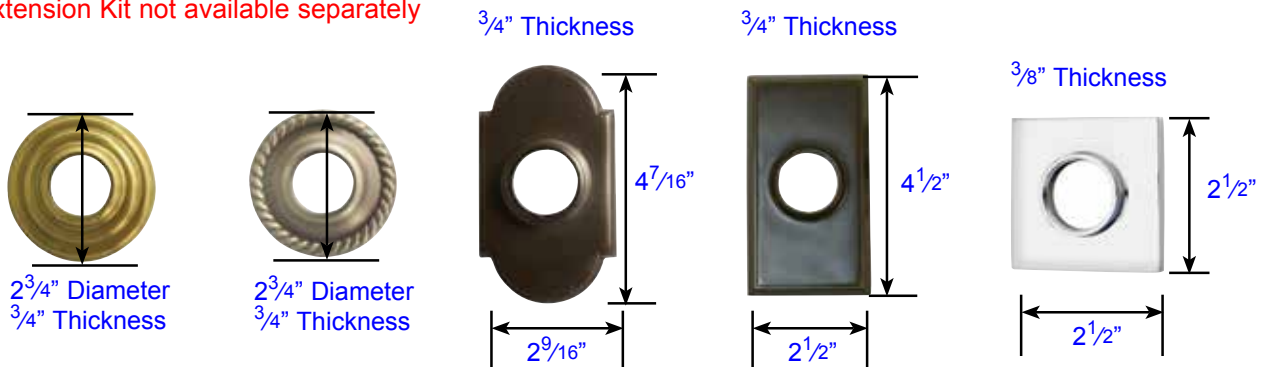


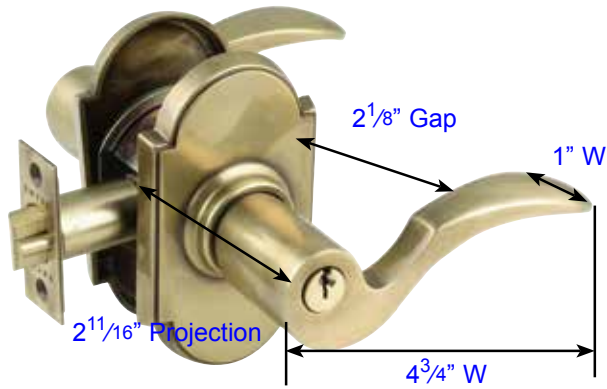
Round Knob (ROU)

**Door Thickness Specifications:**

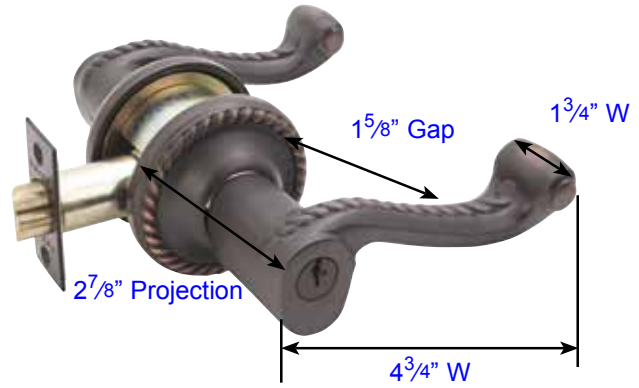
- Standard Door Thickness: 1-3/8" - 2 1/16"
- Extended Door Thickness Range: 2 1/16" - 2 3/4"

- \* Specify Door Thickness when ordering
- \* Extension Kit not available separately

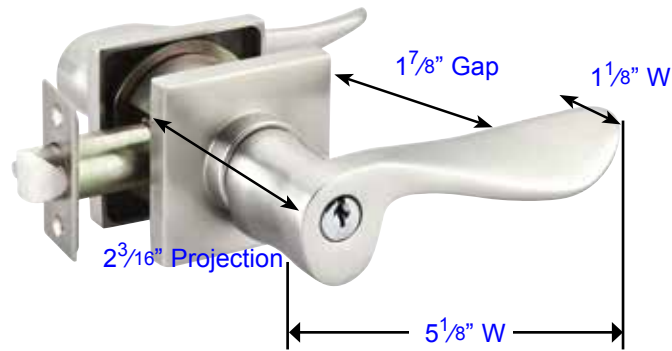




Cortina Lever (C)



Rope Lever (RL)

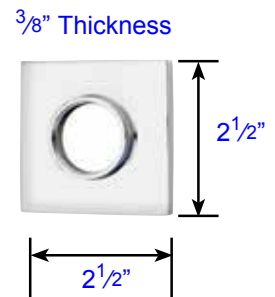
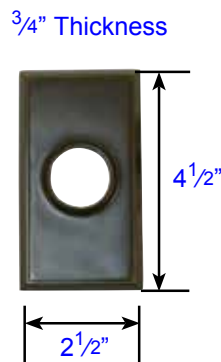
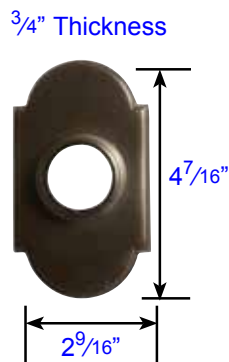
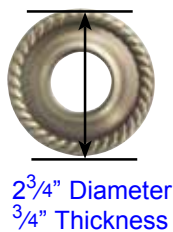
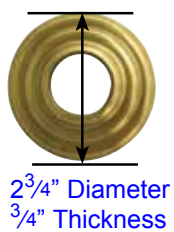


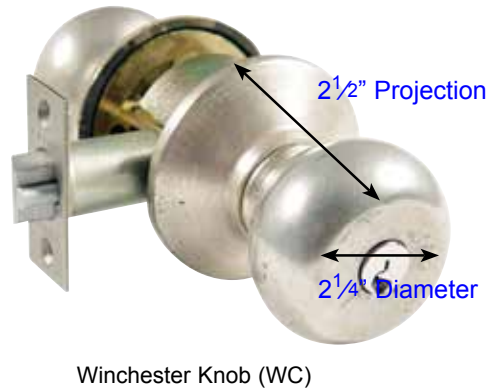
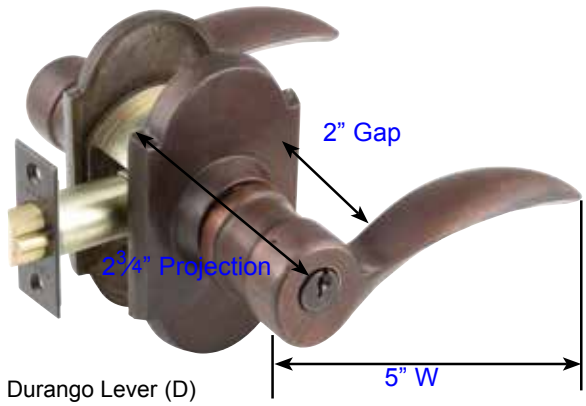
Luzern Lever (LU)

**Door Thickness Specifications:**

- Standard Door Thickness: 1-3/8" - 2 1/16"
- Extended Door Thickness Range: 2 1/16" - 2 3/4"

- \* Specify Door Thickness when ordering
- \* Extension Kit not available separately

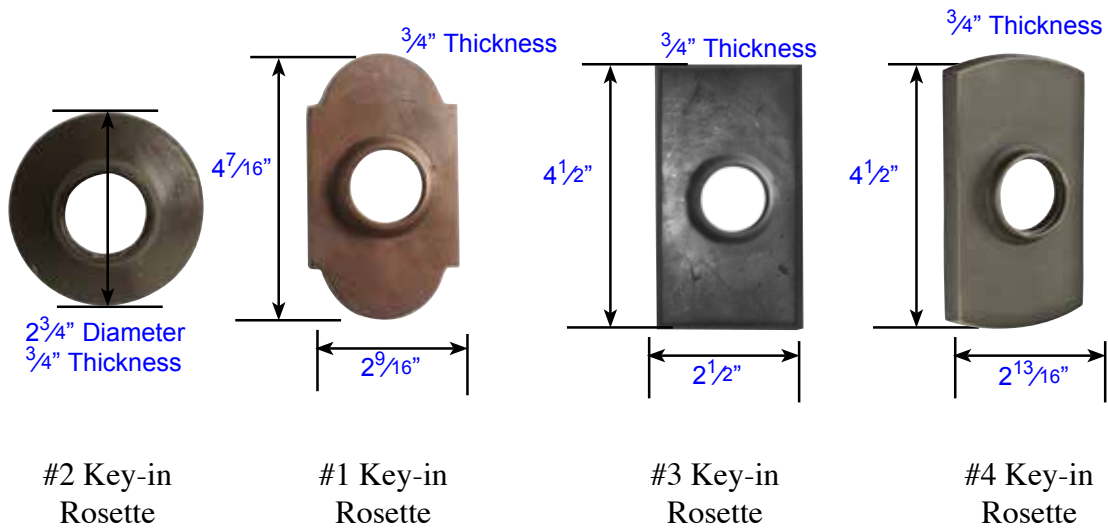


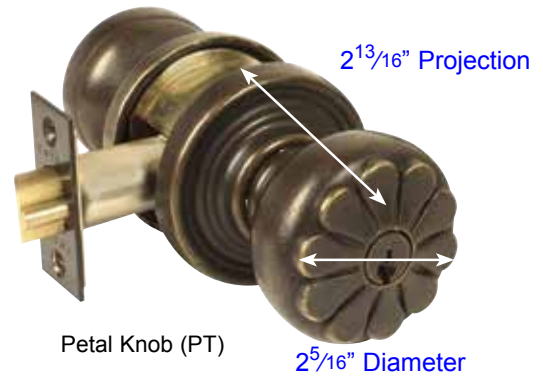
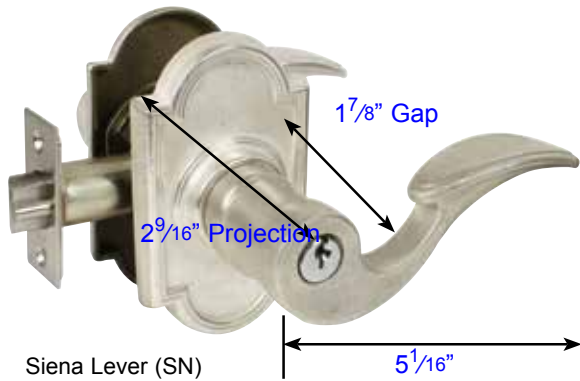


**Door Thickness Specifications:**

- Standard Door Thickness: 1-3/8" - 21/16"
- Extended Door Thickness Range: 2 1/16" - 2 3/4"

- \* Specify Door Thickness when ordering
- \* Extension Kit not available separately

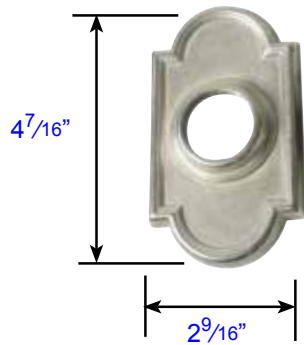




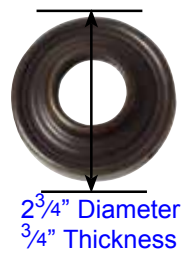
**Door Thickness Specifications:**

- Standard Door Thickness: 1-3/8" - 2 1/16"
- Extended Door Thickness Range: 2 1/16" - 2 3/4"

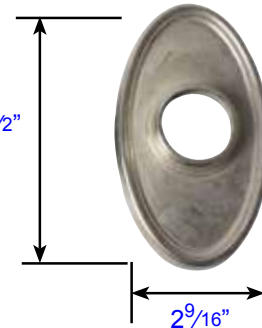
- \* Specify Door Thickness when ordering
- \* Extension Kit not available separately



3/4" Thickness



4 1/2"



3/4" Thickness