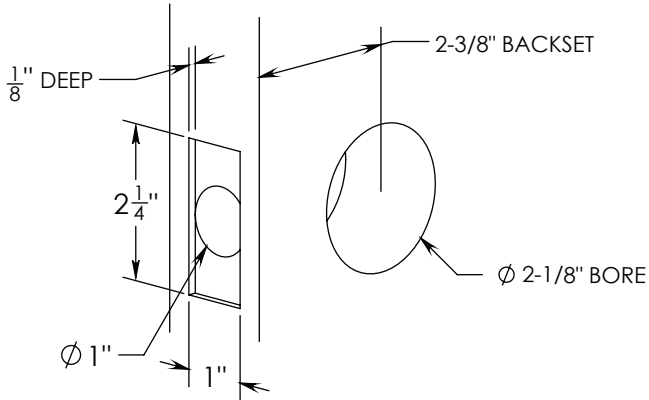


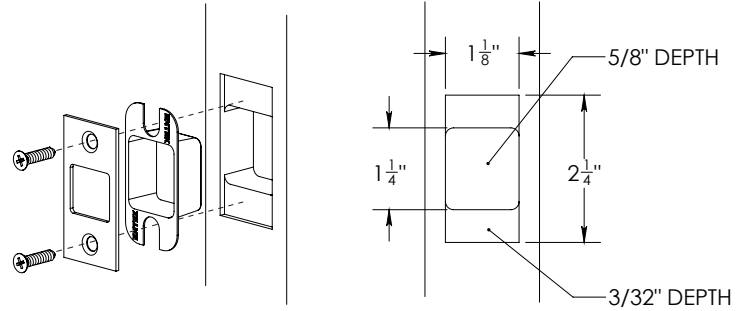
# Installation Instructions - Tubular Pocket Door Lock, Privacy Function

EMTEK®

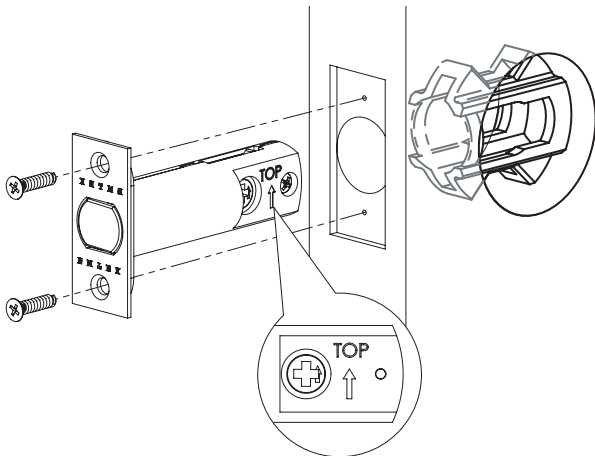
## 1. Door Prep



## 2. Jamb Prep



## 3. Install Latch



## 4. Install Interior and Exterior Trims

