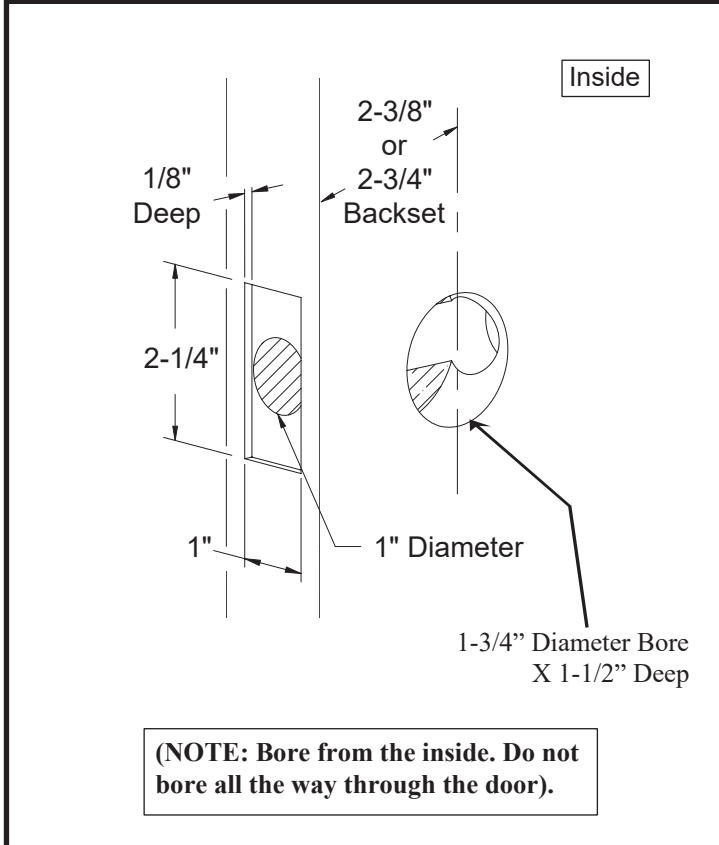
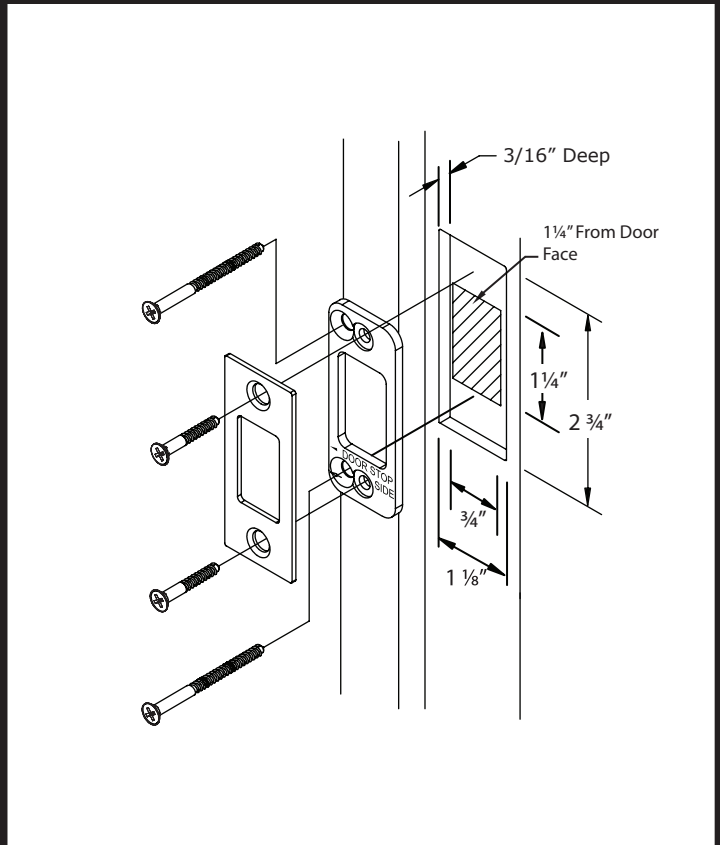


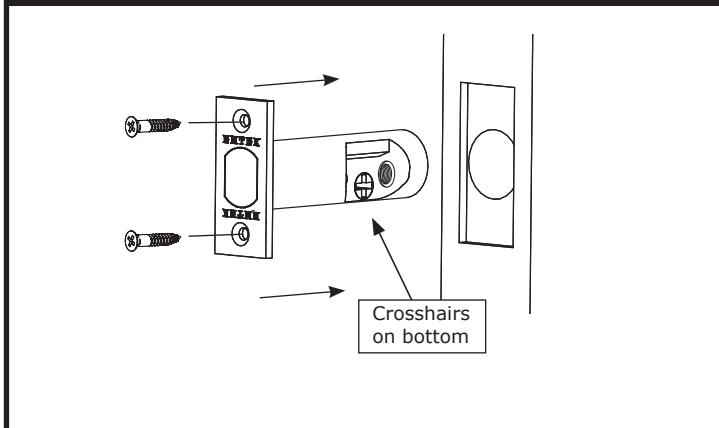
1. Door Prep For Door Thickness: 1-5/8" to 2-3/8"



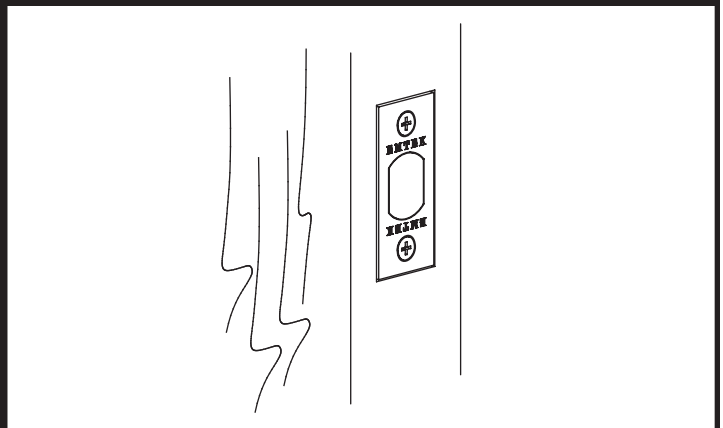
2. Door Jamb Prep



3. Install Bolt



4. Outside View



5. Inside Installation

