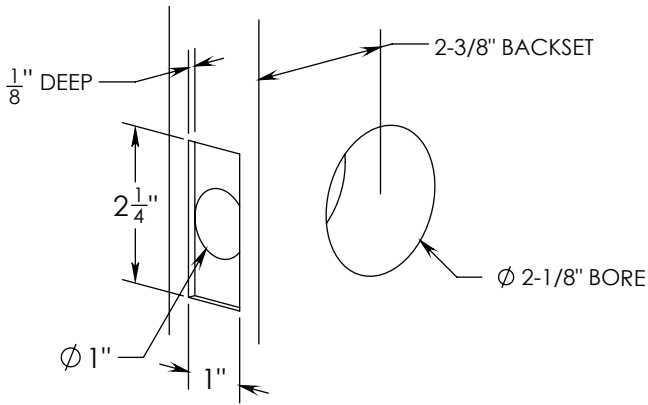


# Installation Instructions

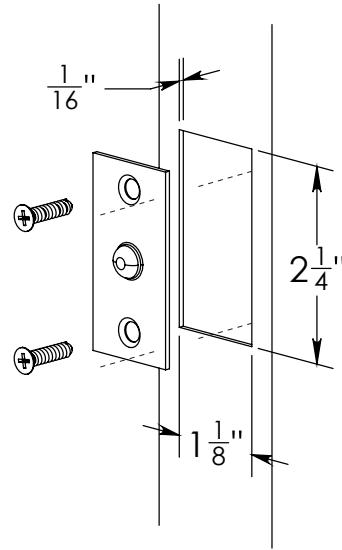
## Tubular Pocket Door Lock, Passage Function

EMTEK®

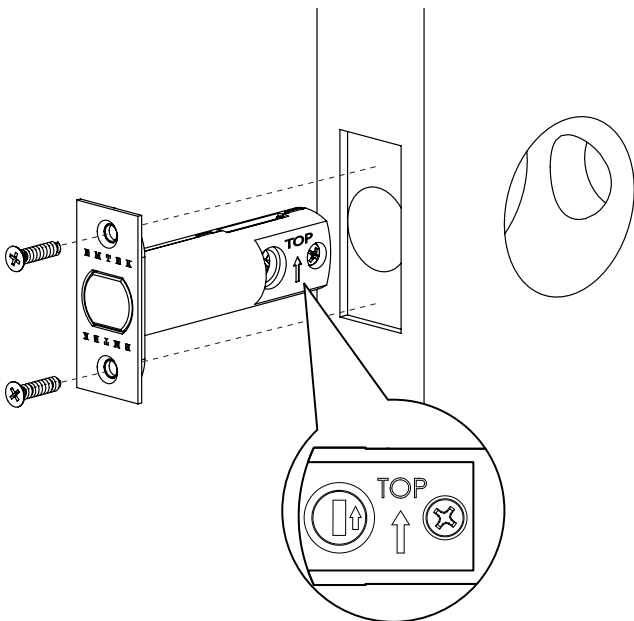
### 1. Door Prep



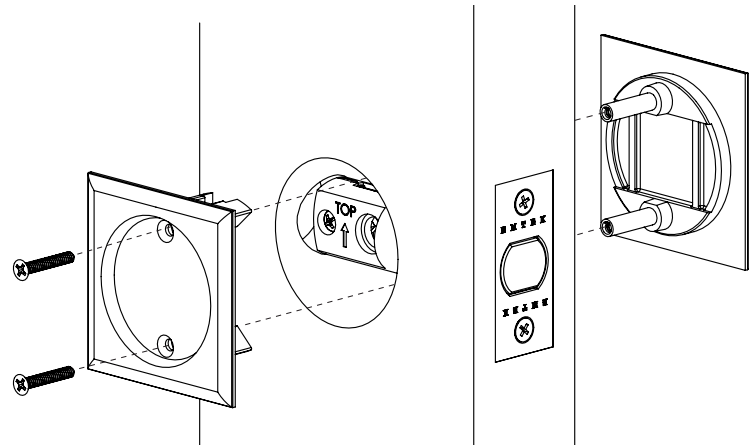
### 2. Jamb Prep



### 3. Install Latch



### 4. Install Interior and Exterior Trims



Trims vary depending on style