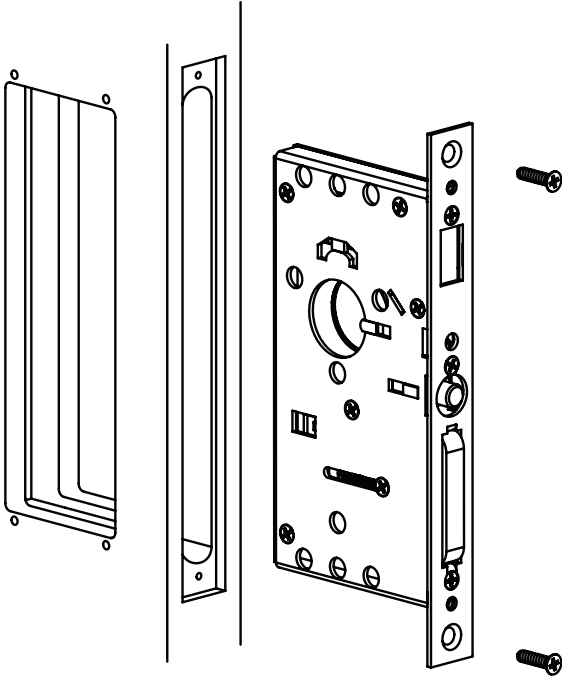
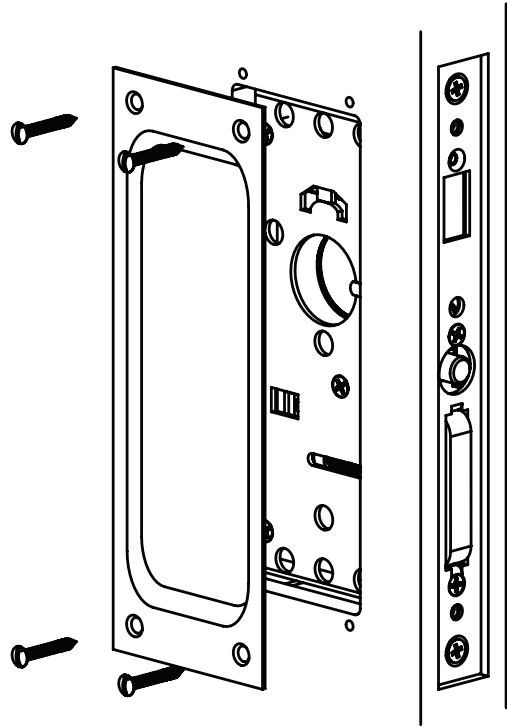


1. Install Lock Body

2. Install Outside Plate

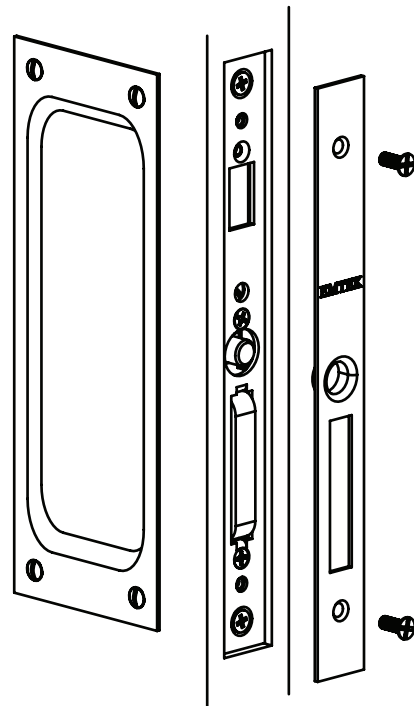
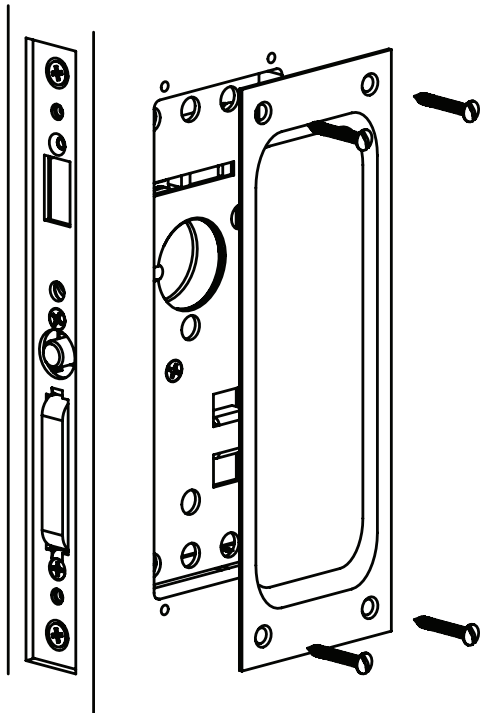


See template for door prep specifications

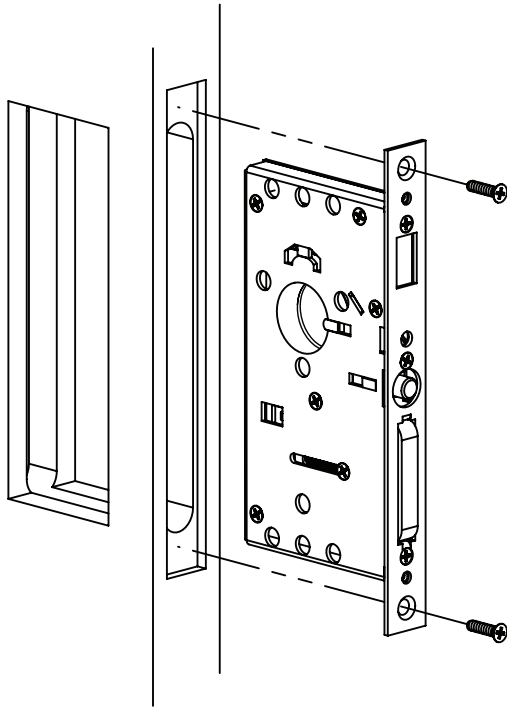


3. Install Inside Plate

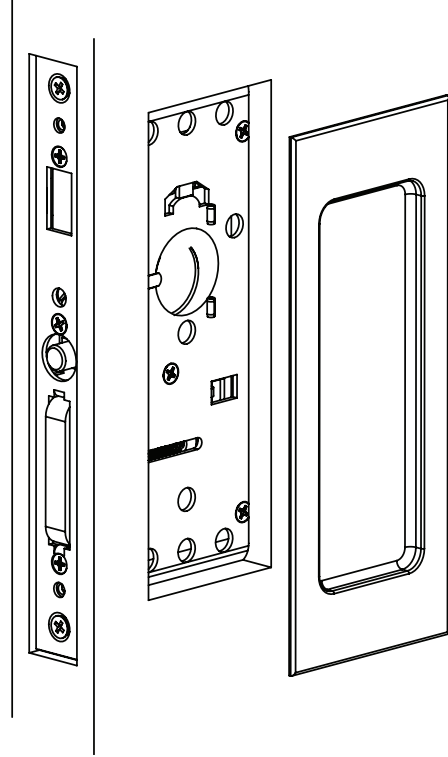
4. Install Trim Plate



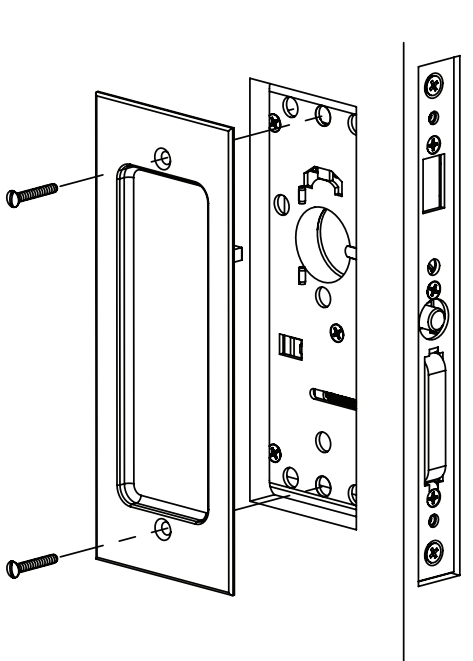
1. Install Lock Body



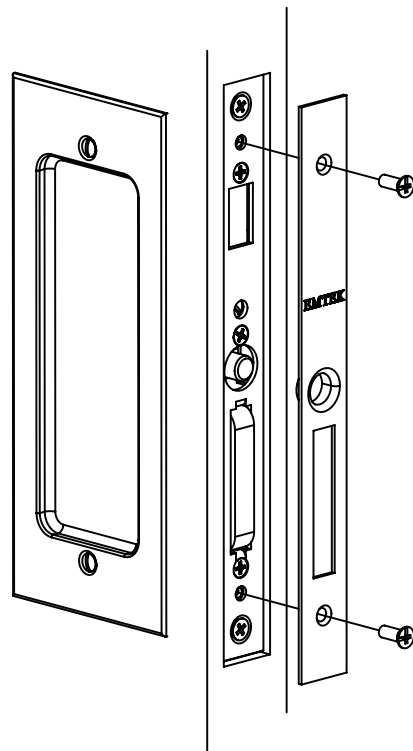
2. Hold Outside plate in place



3. Secure both inside & outside Plates



4. Install Trim Plates



Secure both inside and outside plates using machine screws (provided)