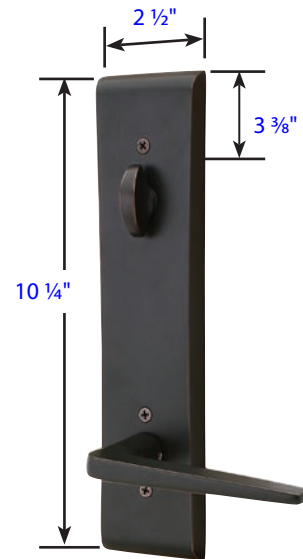


Apollo Style
Part # 4815



Orion Style
Part # 4816



Standard interior trim
Part # 4815 & 4816

Additional Dimensions: (Part # 4815)

- Exterior Projection is 2 3/4"
- Interior Projection Depends on Handle Style
- Overall Grip thickness: 1"
- Clearance between door & grip is 2 1/4"
- Plates thickness: 1/2"

*Same Dimensions for
Double Cylinder & Dummy Function*

Additional Dimensions: (Part # 4816)

- Exterior Projection is 2 3/4"
- Interior Projection Depends on Handle Style
- Overall Grip thickness: 1"
- Clearance between door & grip is 1" - 1 3/4"
- Plates thickness: 1/2"

*Same Dimensions for
Double Cylinder & Dummy Function*

Brass Tubular Entryset Sectional, Single Cylinder

Transitional Heritage (4716), Baden (4820), Ares (4817)

- Standard Door Thickness: 1-3/4"- 2-1/8"

Standard Components:

- 1-1/2" Rosette Screws
- Single Cylinder Tailpiece
- Outside Entry Spindle
- Inside Passage Half Spindle
- 2-1/4" Deadbolt Mounting Screws
- Full-Lip Strike Plate
- Deadbolt Strike Plate

- **Extended** Door Thickness: 2-1/4"- 2-5/8"
- **Extended** Door Thickness: 2-5/8"- 3"

Extended Components:

- 2" Rosette Screws
- Long Single Cylinder Tailpiece
- Long Outside Entry Spindle
- Long Inside Passage Half Spindle
- 3" Deadbolt Mounting Screws
- Spindle Extensions
- Extended Full-Lip Strike Plate
- Deadbolt Strike Plate

Extended Components:

- 2-1/2" Rosette Screws
- Extra Long Single Cylinder Tailpiece
- Long Outside Entry Spindle
- Extra Long Inside Passage Half Spindle
- 3-1/2" Deadbolt Mounting Screws
- Spindle Extensions
- Extended Full-Lip Strike Plate
- Deadbolt Strike Plate

Brass Tubular Entryset Sectional, Double Cylinder

Transitional Heritage (4726), Baden (4830), Ares (4827),

- Standard Door Thickness: 1-5/8"- 2-1/8"

Standard Components:

- 1-1/2" Rosette Screws
- Double Cylinder Tailpiece
- Outside Entry Spindle
- Inside Passage Half Spindle
- 2-1/4" & 2-1/2" Deadbolt Mounting Screws
- Full-Lip Strike Plate
- Deadbolt Strike Plate

- **Extended** Door Thickness: 2-1/4"- 2-5/8"
- **Extended** Door Thickness: 2-5/8"- 2-7/8"

Extended Components:

- 2" Rosette Screws
- Long Double Cylinder Tailpiece
- Long Outside Entry Spindle
- Long Inside Passage Half Spindle
- 3" Deadbolt Mounting Screws
- Spindle Extensions
- Extended Full-Lip Strike Plate
- Deadbolt Strike Plate

Extended Components:

- 2-1/2" Rosette Screws
- Extra Long Double Cylinder Tailpiece
- Long Outside Entry Spindle
- Extra Long Inside Passage Half Spindle
- 3-1/2" Deadbolt Mounting Screws
- Spindle Extensions
- Extended Full-Lip Strike Plate
- Deadbolt Strike Plate

Brass Tubular Entryset Monolithic & Full Length, Single Cylinder

Transitional Heritage (4717), Davos (4818), Lausanne (4819), Apollo (4815), Orion (4816), Zeus (4814)

- Standard Door Thickness: 1³/₄"- 2¹/₈"

Standard Components:

- 1¹/₂" Rosette Screws
- Single Cylinder Tailpiece
- Outside Entry Spindle
- Inside Passage Half Spindle
- 2¹/₄" Deadbolt Mounting Screws
- Full-Lip Strike Plate
- Deadbolt Strike Plate

- **Extended** Door Thickness: 2¹/₄"- 2¹/₂"
- **Extended** Door Thickness: 2¹/₂"- 3"

Extended Components:

- 2" Rosette Screws
- Long Single Cylinder Tailpiece
- Long Outside Entry Spindle
- Long Inside Passage Half Spindle
- 3" Deadbolt Mounting Screws
- Spindle Extensions
- Extended Full-Lip Strike Plate
- Deadbolt Strike Plate

Extended Components:

- 2¹/₂" Rosette Screws
- Extra Long Single Cylinder Tailpiece
- Long Outside Entry Spindle
- Extra Long Inside Passage Half Spindle
- 3" Deadbolt Mounting Screws
- Spindle Extensions
- Extended Full-Lip Strike Plate
- Deadbolt Strike Plate

Brass Tubular Entryset Monolithic & Full Length, Double Cylinder

Transitional Heritage (4727), Davos (4828), Lausanne (4829), Apollo (4825), Orion (4826), Zeus (4824)

- Standard Door Thickness: 1³/₄"- 2"

Standard Components:

- 1¹/₂" Rosette Screws
- Double Cylinder Tailpiece
- Outside Entry Spindle
- Inside Passage Half Spindle
- 2¹/₄" Deadbolt Mounting Screws
- Full-Lip Strike Plate
- Deadbolt Strike Plate

- **Extended** Door Thickness: 2"- 2⁵/₈"

Extended Components:

- 2" Rosette Screws
- Long Double Cylinder Tailpiece
- Long Outside Entry Spindle
- Long Inside Passage Half Spindle
- 3" Deadbolt Mounting Screws
- Spindle Extensions
- Extended Full-Lip Strike Plate
- Deadbolt Strike Plate

- **Extended** Door Thickness: 2⁵/₈"- 2⁷/₈"

Extended Components:

- 2¹/₂" Rosette Screws
- Long Double Cylinder Tailpiece
- Long Outside Entry Spindle
- Extra Long Inside Passage Half Spindle
- 3¹/₂" Deadbolt Mounting Screws
- Spindle Extensions
- Extended Full-Lip Strike Plate
- Deadbolt Strike Plate

* Part # DB4-COLLAR32 Available for 1³/₈" Thick Doors