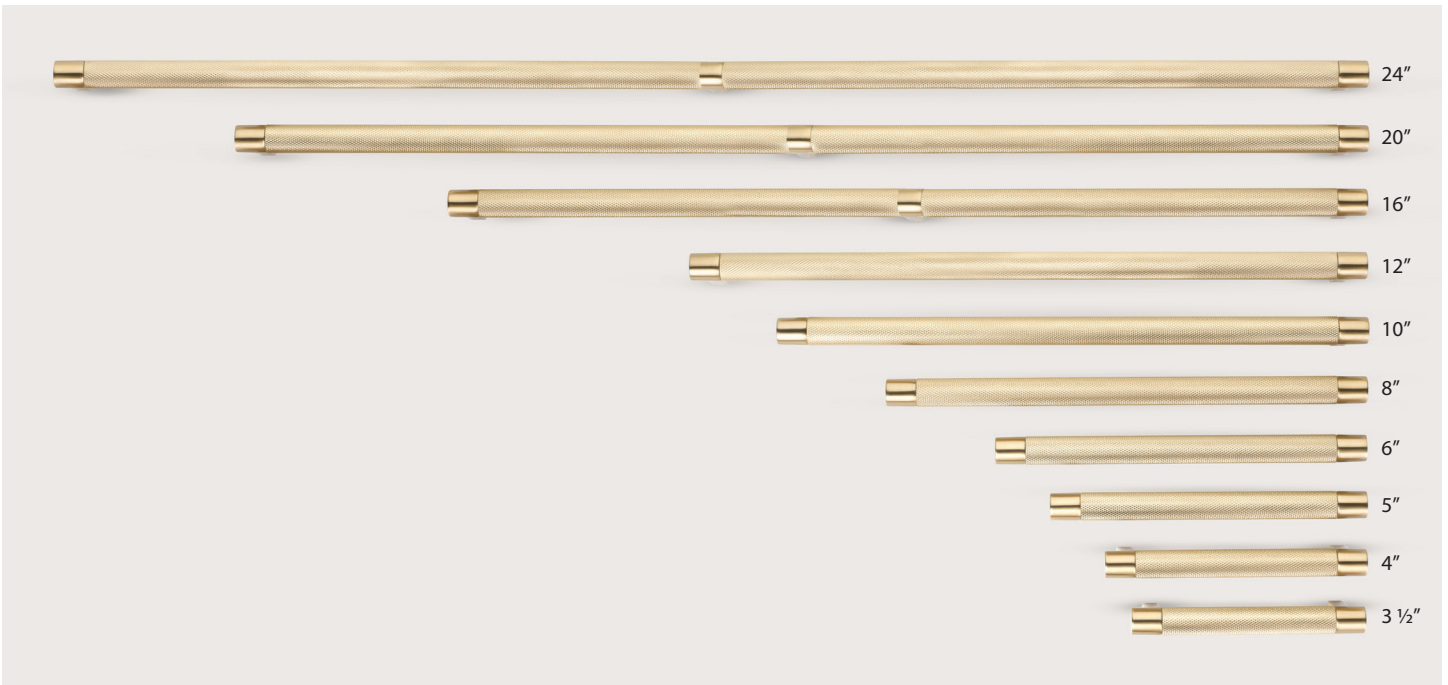


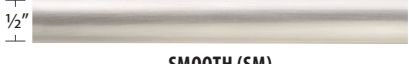
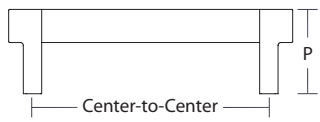


SELECT CABINET PULLS

EMTEK®



SELECT CABINET PULL					Stem	Bar Pull
Product Code	C-to-C	Stem	Projection (P)	Overall		
84052	3 1/2"	2	1 3/8"	4 1/4"	 <p>RECTANGULAR (REC)</p>	 <p>KNURLED (KN)</p>
84053	4"	2	1 3/8"	4 3/4"		
84054	5"	2	1 3/8"	5 3/4"		 <p>SMOOTH (SM)</p>
84055	6"	2	1 3/8"	6 3/4"		
84056	8"	2	1 3/8"	8 3/4"		
84057	10"	2	1 3/8"	10 3/4"		
84058	12"	2	1 3/8"	12 3/4"		
84059	16"	3	1 3/8"	16 3/4"		
84060	20"	3	1 3/8"	20 3/4"		
84061	24"	3	1 3/8"	24 3/4"		



STEM AND BAR PULL WILL BE PERMANENTLY AFFIXED.

NOT DRAWN TO SCALE