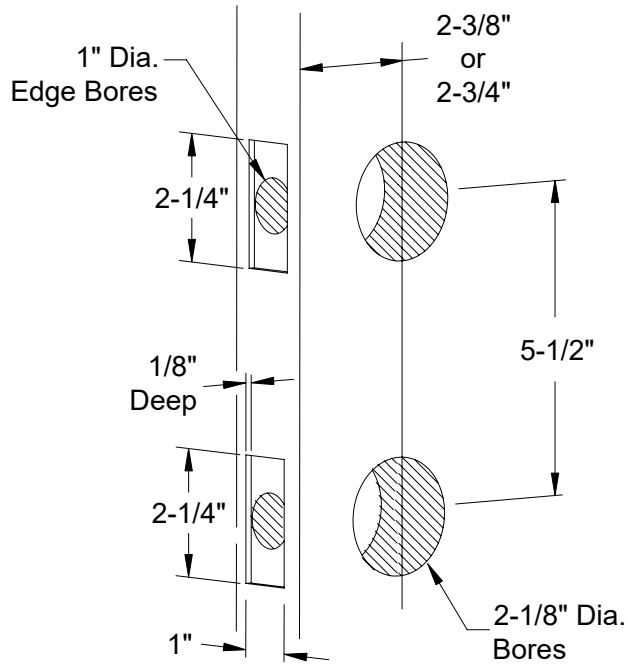


Installation Guide

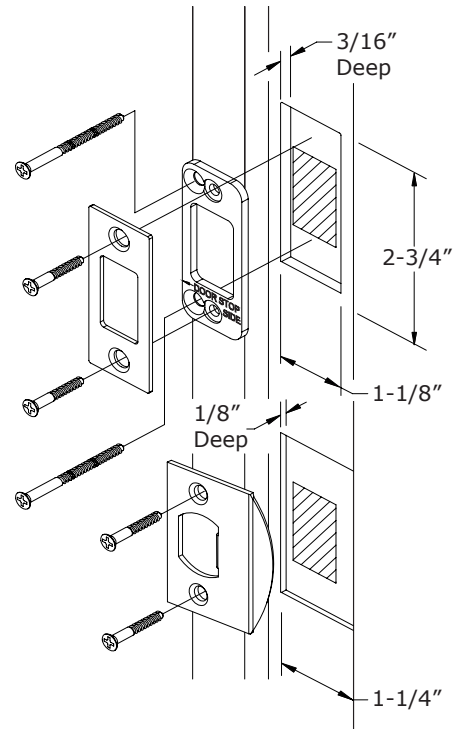
Tubular Monolithic Entryset - Single Cylinder Deadbolt

EMTEK®

1. Door Prep

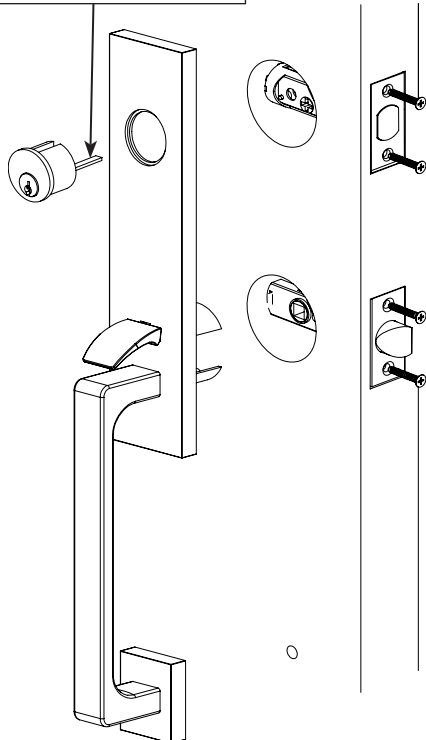


2. Door Jamb Prep



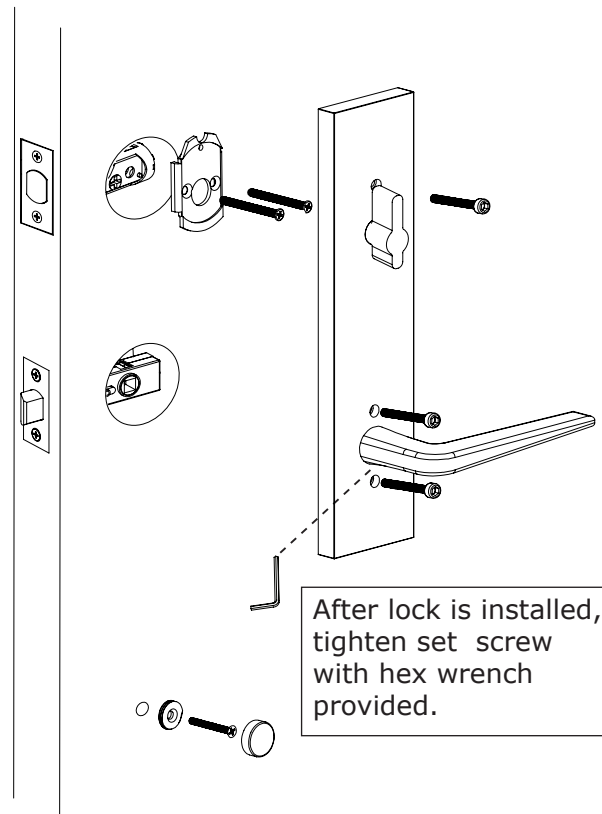
3. Outside Trim

Tailpiece Horizontal



Plates and Grip vary depending on style

4. Inside Trim



After lock is installed, tighten set screw with hex wrench provided.