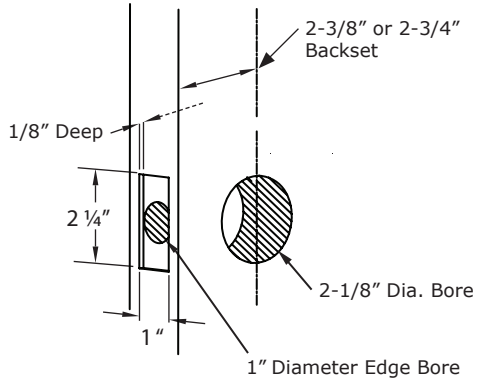
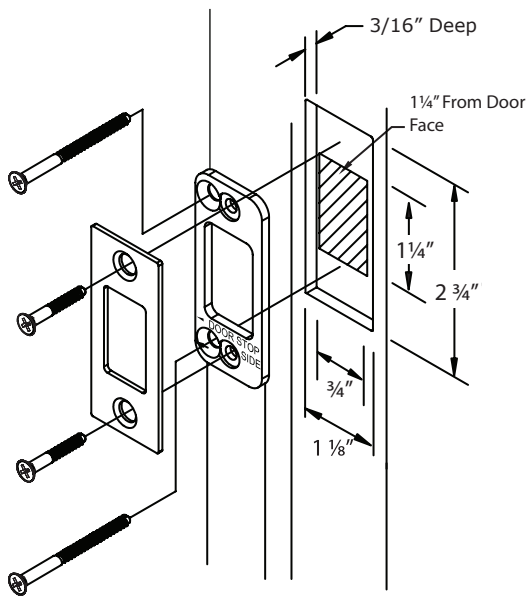


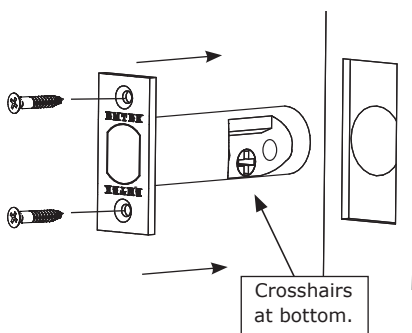
1. Door Prep



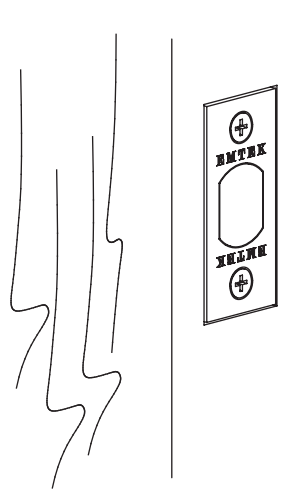
2. Door Jamb Prep



3. Install Latch



4. Outside View



5. Inside Installation

