

Specification Sheet - Door Configuration #5 Trim and Cylinders for Multi Point Locks

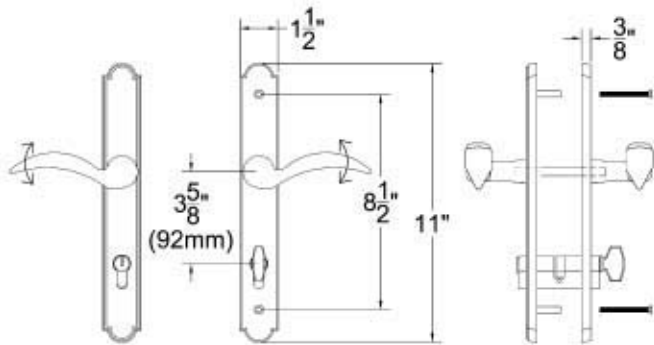
Swinging Patio Door Hardware - Set includes Plates, Handles and Cylinders (where applicable)

Door Configuration #5

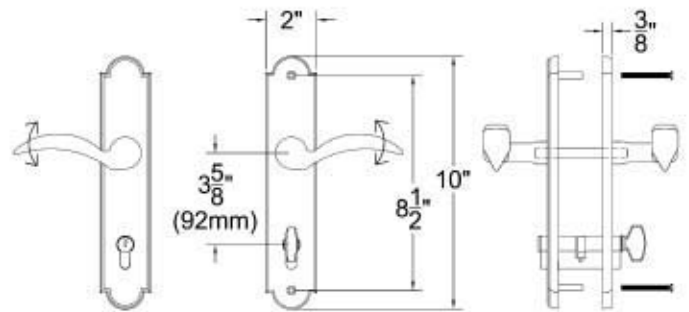
Hoppe®, Hurd®, JELD-WEN®, Kolbe & Kolbe®, Lincoln®, Loewen®, Norco®, Peachtree®, Pozzi®, Semco®, Vetter®, Weathershield®, Therma-Tru®, Willmar®

Keyed with Euro Profile Cylinder (for Active Door, Schlage Keyway, Rekeyable)

1½"x11" Plates, Product Codes 1511,1531,1551,1571,1591

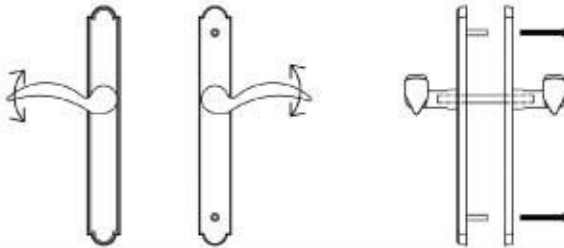


2" x 10" Plates, Product Codes 1521, 1541, 1561, 1581, 1501

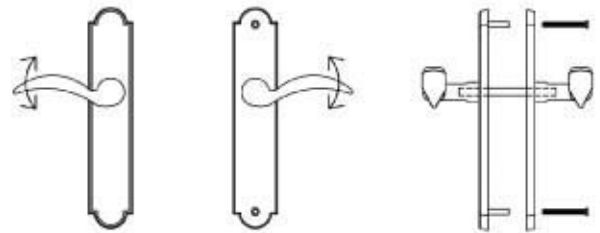


Non-Keyed, Passage (for Semi-Active Door)

1½" x 11" Plates, Product Codes 1512, 1532, 1552, 1572, 1592

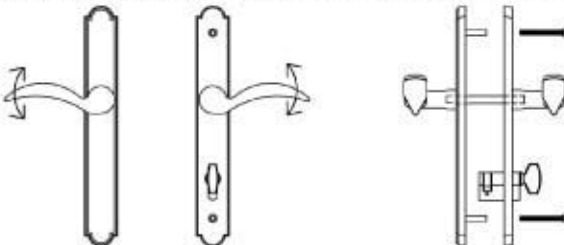


2" x 10" Plates, Product Codes 1522, 1542, 1562, 1582, 1502

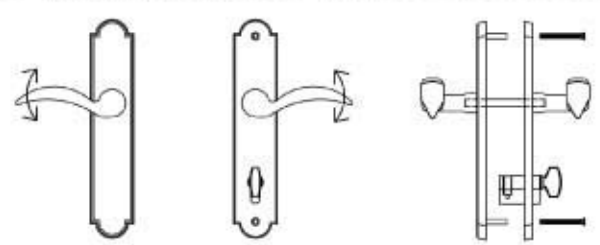


Non-Keyed, Euro Profile Style Thumbturn Inside (for Active Door)

1½"x11" Plates, Product Codes 1513,1533,1553,1573,1593

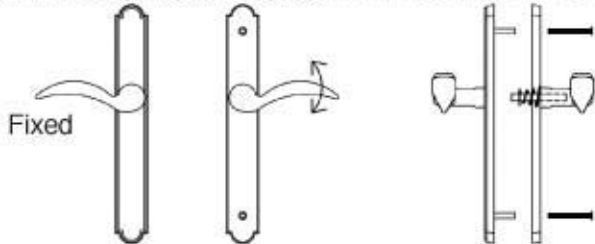


2" x 10" Plates, Product Codes 1523, 1543, 1563, 1583, 1503

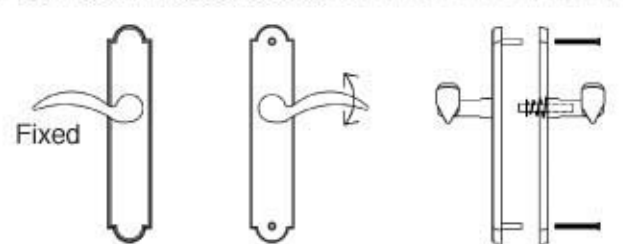


Non-Keyed, Fixed Handle Outside, Operating Handle Inside (for Semi-Active Door)

1½" x 11" Plates, Product Codes 1514, 1534, 1554, 1574, 1594

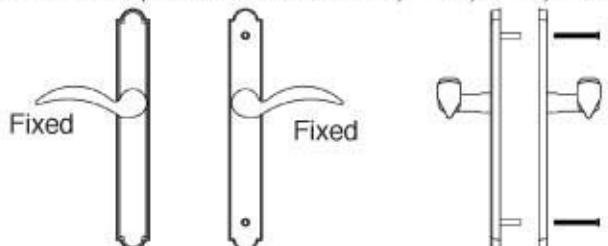


2" x 10" Plates, Product Codes 1524, 1544, 1564, 1584, 1504



Dummy Pair (for Non-Active Door)

1½" x 11" Plates, Product Codes 1515, 1535, 1555, 1575, 1595



2" x 10" Plates, Product Codes 1525, 1545, 1565, 1585, 1505

