

Specification Sheet - Door Configuration #2

Trim and Cylinders for Multi Point Locks

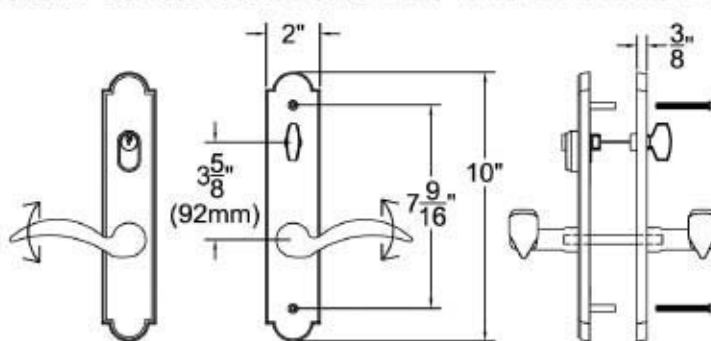
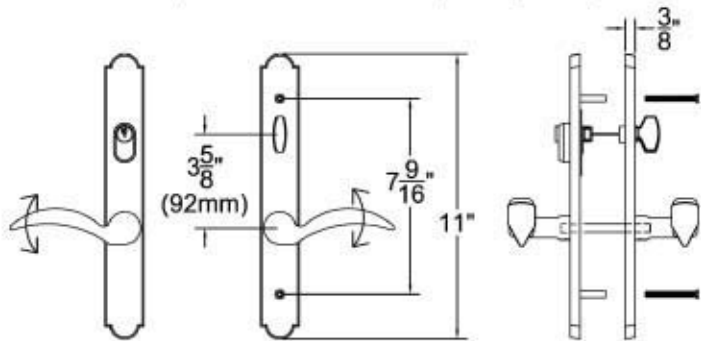
Swinging Patio Door Hardware - Set includes Plates, Handles and Cylinders (where applicable)

G-U®, Eagle®, BiltBest®, Hurd®

Keyed with American Cylinder (for Active Door, Schlage Keyway, Rekeyable)

1 1/2" x 11" Plates, Product Codes 1211, 1231, 1251, 1271, 1291

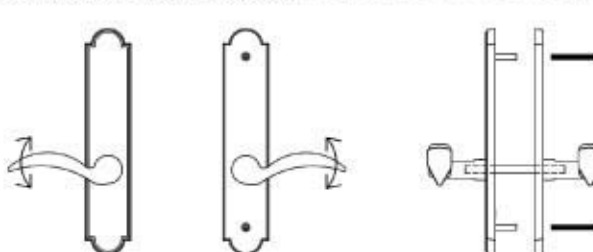
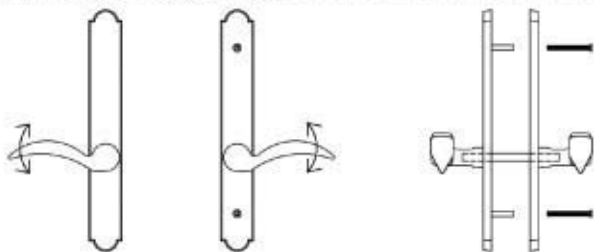
2" x 10" Plates, Product Codes 1221, 1241, 1261, 1281, 1201



Non-Keyed, Passage (for Semi-Active Door)

1 1/2" x 11" Plates, Product Codes 1212, 1232, 1252, 1272, 1292

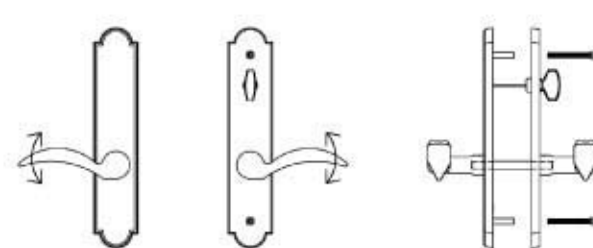
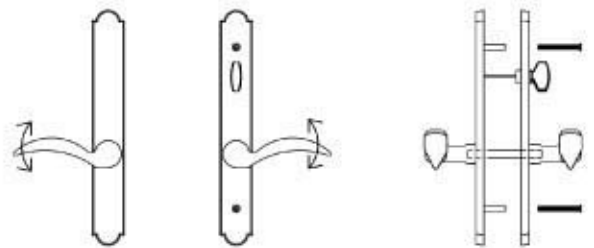
2" x 10" Plates, Product Codes 1222, 1242, 1262, 1282, 1202



Non-Keyed, American Style Thumbturn Inside (for Active Door)

1 1/2" x 11" Plates, Product Codes 1213, 1233, 1253, 1273, 1293

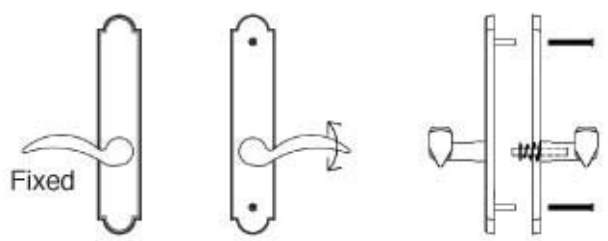
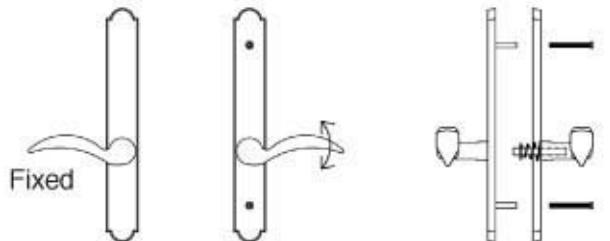
2" x 10" Plates, Product Codes 1223, 1243, 1263, 1283, 1203



Non-Keyed, Fixed Handle Outside, Operating Handle Inside (for Semi-Active Door)

1 1/2" x 11" Plates, Product Codes 1214, 1234, 1254, 1274, 1294

2" x 10" Plates, Product Codes 1224, 1244, 1264, 1284, 1204



Dummy Pair (for Non-Active Door)

1 1/2" x 11" Plates, Product Codes 1215, 1235, 1255, 1275, 1295

2" x 10" Plates, Product Codes 1225, 1245, 1265, 1285, 1205

